

Handeman Xtra[®]

MEANS 50% **XTRA** WASHES



The Best Hot Water
Hand Wash in the World





TEAL HANDEMAN XTRA®
HMX12 & HMX24

Breaking NEW ground in cost saving and hand hygiene for the Commercial Vehicle operator.



TEAL Handeman XTRA® means:-

- 50% more washes.
Up to 15 TEN second washes.
- Unique jet spray means really effective washing.
- Simple, effective 'finger-tip' controlled flip tap.

The TEAL Handeman XTRA® is completely self contained; its Unique 3 litre 'Waste-Safe'® securely retains all the dirty water and is easily removable for emptying at the end of the day.

No waste water container or drain pipe needed.



Liquid soap dispenser and paper towel holder available as extras.



TEAL HAND HYGIENE

Unique 'finger-tip' tap can't collect dirt and grease and washing under running water means all dirty water goes directly into the Waste-Safe®.

BUILT TO LAST

Robustly constructed in Hi-Impact Polyethylene and designed to stand up to the rough and tumble of 'On the Road' use.

EASY TO INSTALL

Ideal for use inside or outside the vehicle.

Delivered Complete with:-

- Full fitting instructions and fitting template
- Standard with Voltage sensing technology.
Non voltage sensing available as an option.
- 12 and 24 Volt versions complete with the correct fuse and fuse holder.

Just connect 2 x 4mm wires through the fuse holder directly to the battery and you are ready to roll.

SAFETY AND CONTROL

Fully automatic electronic control means:-

- Battery safe, NO drain on power.
- Ideal water temperature 42°C +/-2°C
- Fast water heating
- 'No Water' safety lockout
- No separate switch needed.

OPTIONAL EXTRAS

Soap Dispenser and Bracket – HM/BB

Pack of Paper Towels and Holder –HM/TH

Box of 16 packs of Paper Towels – 16/PT

Clean water container (illustrated) - CWC



IN CAB USE

Handeman XTRA® HMX12 LW is available as a 90 watt unit without voltage sensing.



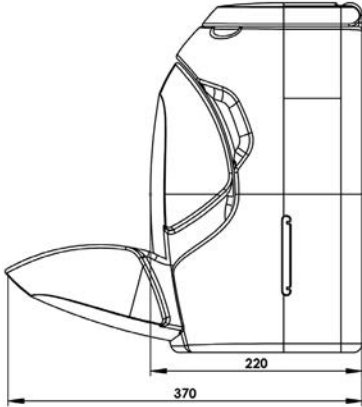
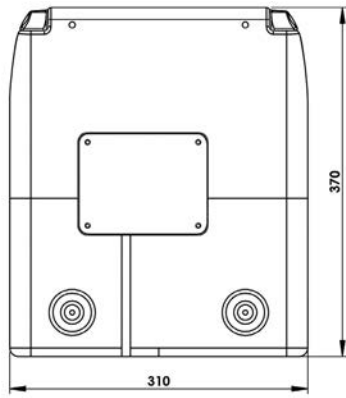
MAINS VERSION

Handeman Xtra® HMX230 comes complete with fitting instructions. It is complete with a 1.8M lead and a 13 amp fused plug. HMX230 complies with all current electrical and EMC regulations.



PORTABLE UNIT

The Handeman XTRA® HMXP will stay hot for up to 5 hours depending on the initial temperature of the preheated hot water used. It is fitted with a carrying strap and four screw fixings for wall mounting.



12 & 24 volt models are E-marked in compliance with European EMC Automotive Directive 95/54/EC.

SPECIFICATION

Weight empty 3 kg. Weight full 6.3 kg
Water capacity Total 3.3 Litres, 3 Litres Usable.

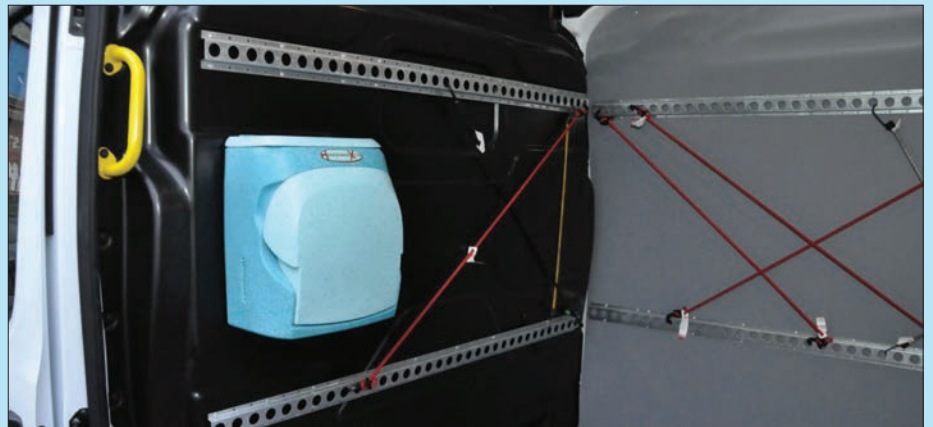
HMX12	Red Label	12 volt, 220watt	18 amp
HMX12LW	Purple label	12 volt, 90 watt	8 amp
HMX24	Blue label	24 volt, 250 watt	10 amp
HMX230	Green label	230 volt, 425 watt	2 amp
HMPX	Pale blue label	Portable	

HANDEMAN XTRA is a registered Trade Mark No. 2387108 and Design Registration is No. 3020652.

GUARANTEE

All TEAL products carry a full 2 Year Guarantee on a return to manufacturer basis.

A member of:



TEAL products have the following VCA Approvals

Type Approval No **e11*72/245*2009/19*5528*00**
EC type approval **ESA: e11 03 5528**



TEAL Patents Ltd
Unit 2, Waterloo Avenue, Chelmsley Wood Industrial Estate,
Chelmsley Wood, Birmingham B37 6QQ, England
Tel: +44(0) 121 770 0593 Fax: +44(0) 121 770 0385
E-mail: enquiries@tealwash.com Web: www.tealwash.com / www.kiddiwash.com



Tealwash



@hand_washing/@tealwash

