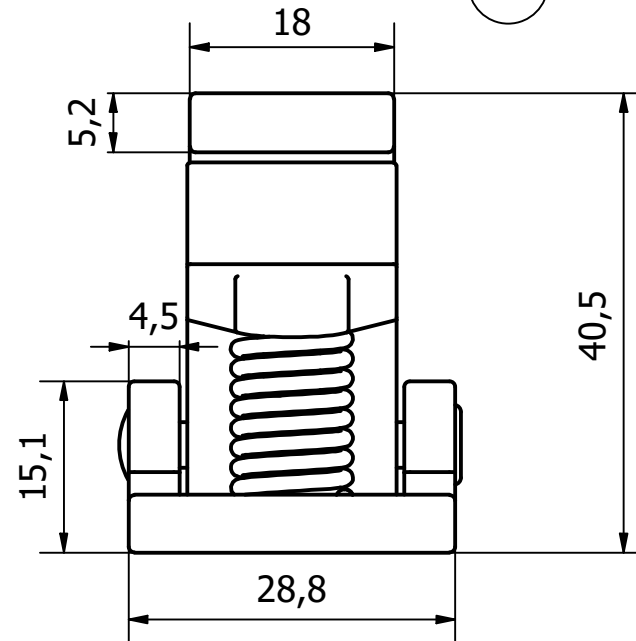
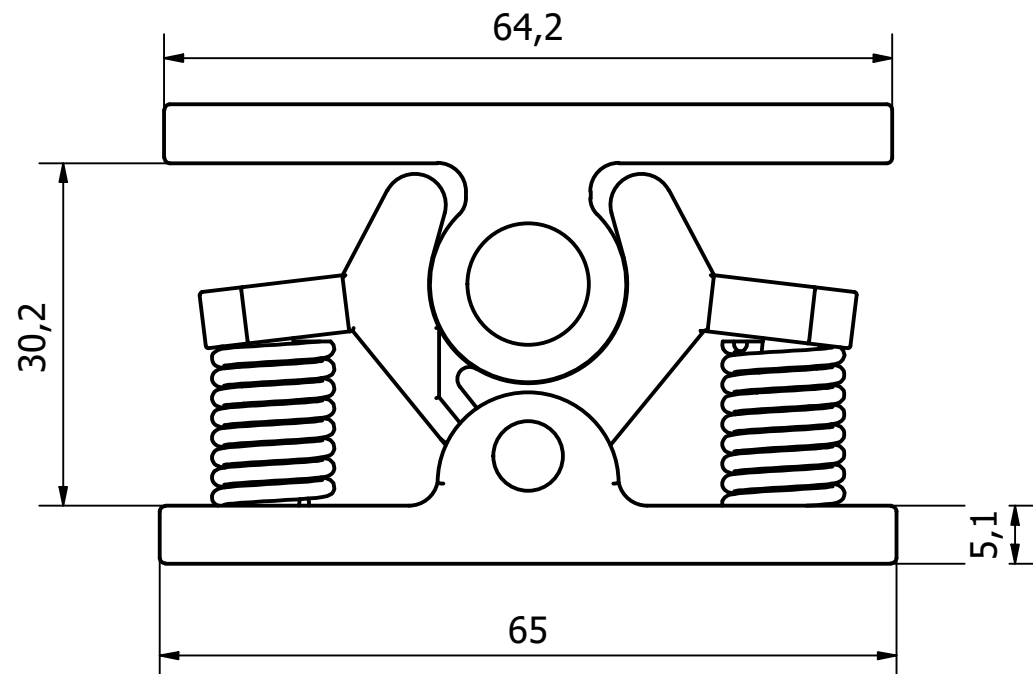
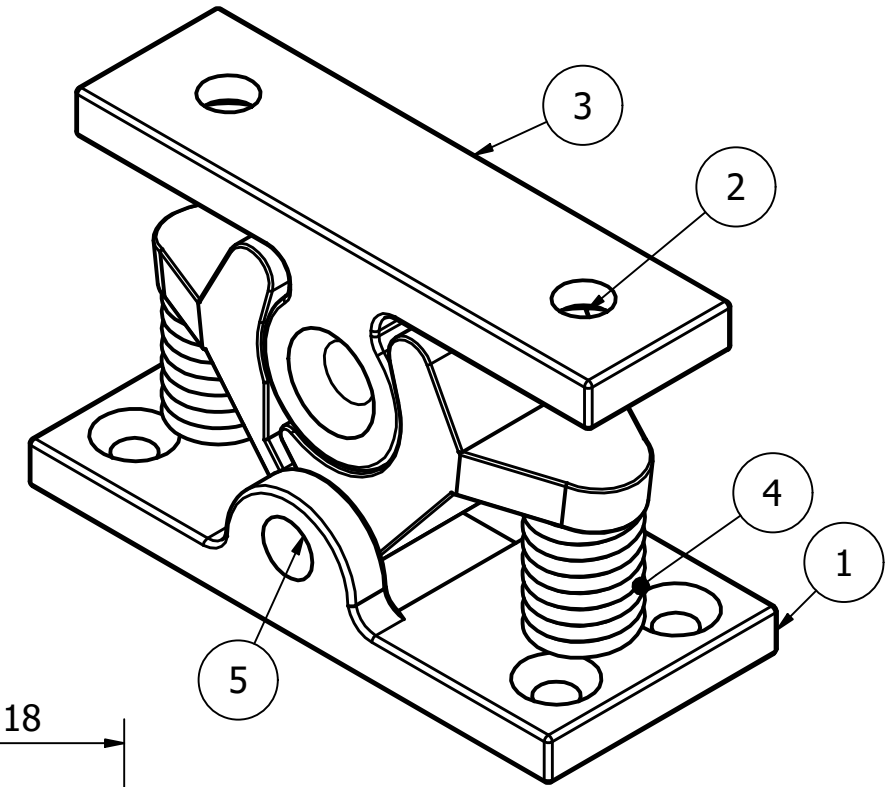
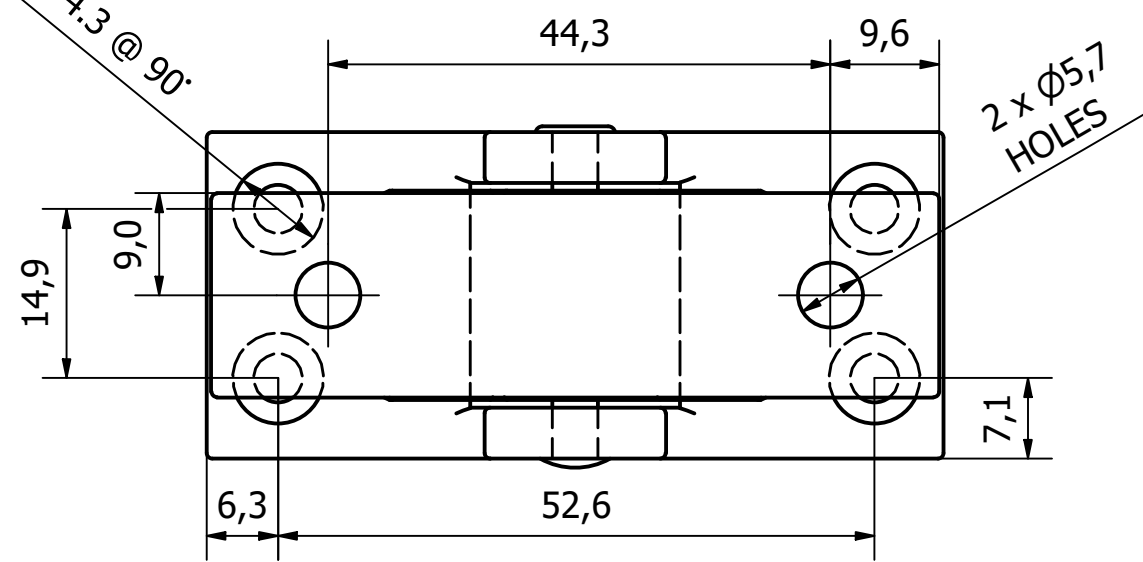


PARTS LIST

ITEM	QTY	PART NUMBER	DESCRIPTION
1	1	2132-1000-1	S/STEEL T304 RETAINER BASE
2	1	2132-1000-2	S/STEEL T304 RETAINER CLAMP
3	1	2132-1000-3	S/STEEL T304 CLAMP MATING HALF
4	2	2132-1000-4	S/STEEL T304 COIL SPRING
5	1	2132-1000-5	S/STEEL T304 RIVET



REV	DESCRIPTION	DATE	APPROVED
2	DIMENSIONS UPDATED	30/09/22	U.F
1	VALIDATION COMPLETE	28/07/17	A.P

GENERAL TOLERANCES ON LENGTHS

0.5 - 6 ± 0.1mm
6 - 30 ± 0.2mm
30 - 120 ± 0.3mm
120 - 400 ± 0.5mm
400 - 1000 ± 0.8mm
1000 - 2000 ± 1.2mm
2000 - 4000 ± 2.0mm

ALBERT JAGGER LTD  
 GREEN LANE  
 WALSALL PHONE: 01922 471000  
 WEST MIDLANDS FAX: 01922 648021  
 WS2 8HG

THIS DRAWING & THE DESIGN SHOWN ARE THE PROPERTY OF ALBERT JAGGER LTD AND MUST NOT BE USED OR COPIED BY A THIRD PARTY WITHOUT PERMISSION

DRAWN BY U.F	CHECKED BY A.P	SCALE 1.5:1	MATERIAL -	MASS 0.227 kg	FINISH NATURAL	Date 15/06/2017	ALL DIMS IN MM UNLESS STATED DO NOT SCALE	A3
							S/STEEL T304 DOOR RETAINER	
2132-1000							Edition 2	Sheet 1 / 1