

6 1 5 1 4 3 1 2 1 1

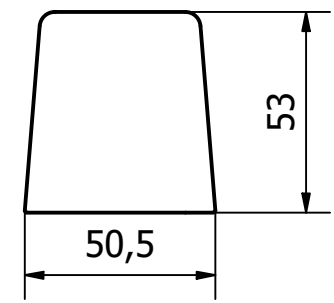
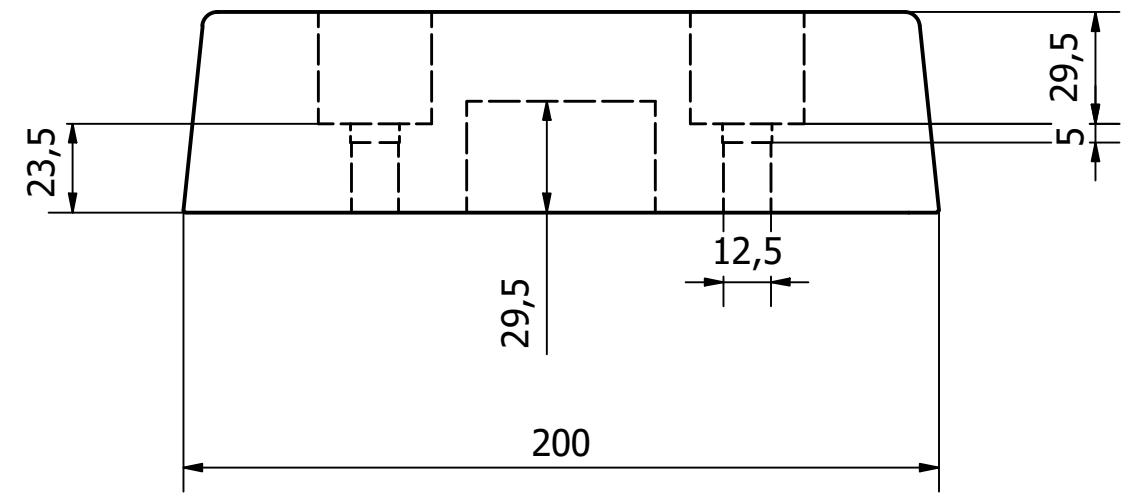
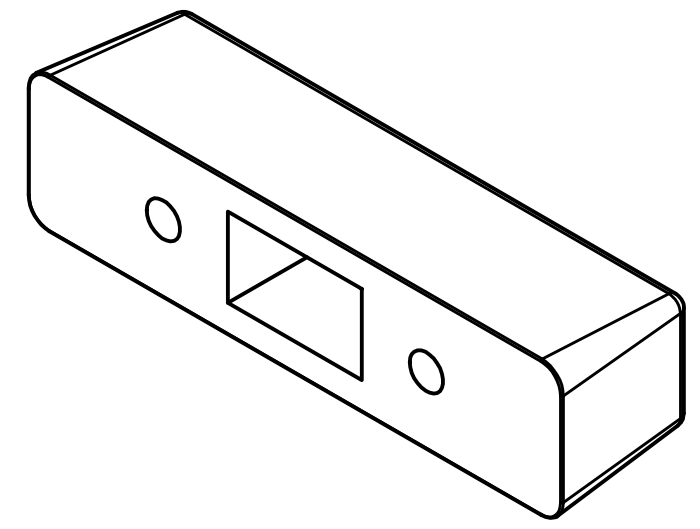
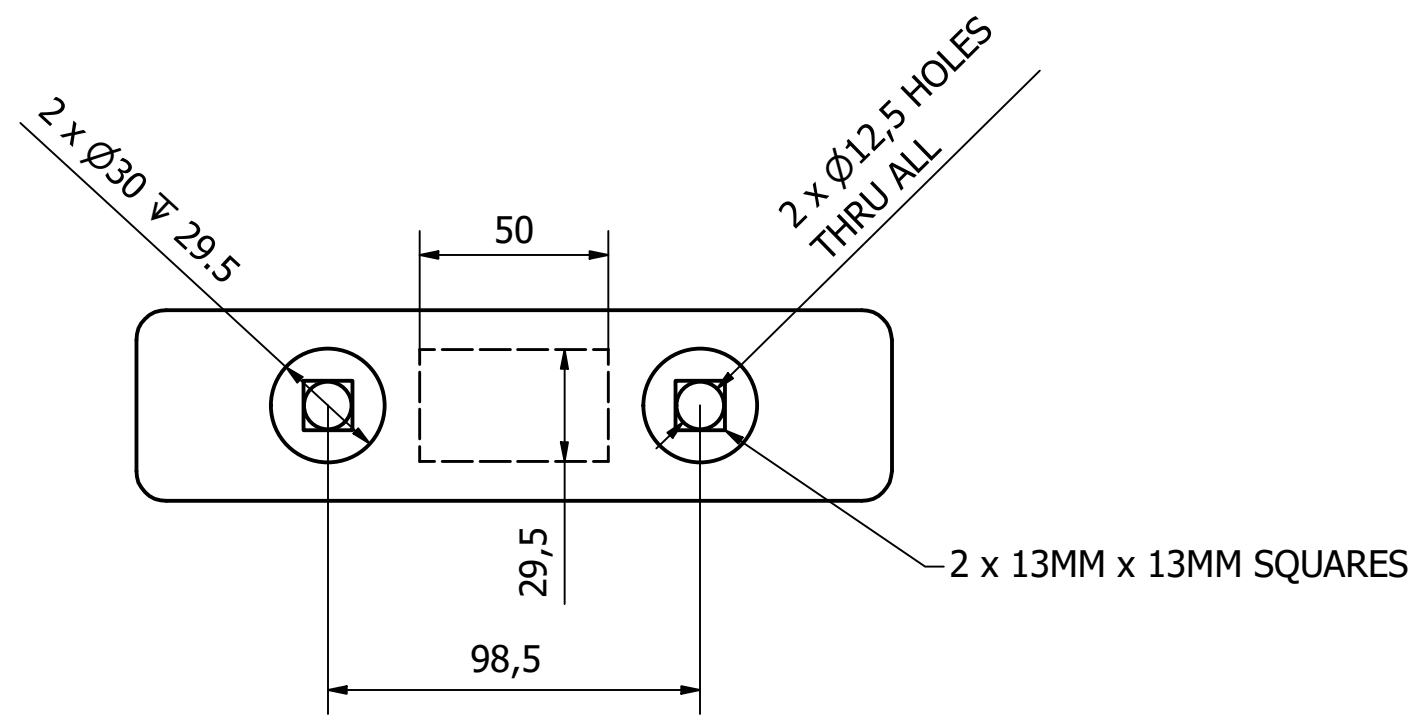
D D

C C

B B

A A

6 1 5 1 4 3 1 2 1 1



1	VALIDATION COMPLETE	19/10/20	A.P
REV	DESCRIPTION	DATE	APPROVED

GENERAL TOLERANCES ON LENGTHS

0.5 - 6 ± 0.1mm
6 - 30 ± 0.2mm
30 - 120 ± 0.3mm
120 - 400 ± 0.5mm
400 - 1000 ± 0.8mm
1000 - 2000 ± 1.2mm
2000 - 4000 ± 2.0mm

ALBERT JAGGER LTD  
 GREEN LANE  
 WALSALL PHONE: 01922 471000  
 WEST MIDLANDS FAX: 01922 648021  
 WS2 8HG

THIS DRAWING & THE DESIGN SHOWN ARE THE PROPERTY OF ALBERT JAGGER LTD AND MUST NOT BE USED OR COPIED BY A THIRD PARTY WITHOUT PERMISSION

DRAWN BY	CHECKED BY	THIRD ANGLE PROJECTION
K.M	A.P	



SCALE	MATERIAL	MASS	FINISH	Date	ALL DIMS IN MM UNLESS STATED DO NOT SCALE	A3
1 : 2	SYNTHETIC RUBBER	0.356 kg	BLACK	16/10/2020		
MEDIUM DUTY RUBBER BUFFER					Edition	Sheet
2503-001					1	1 / 1