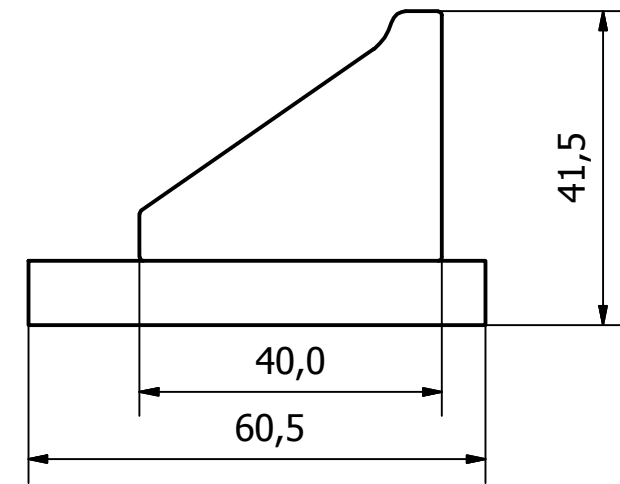
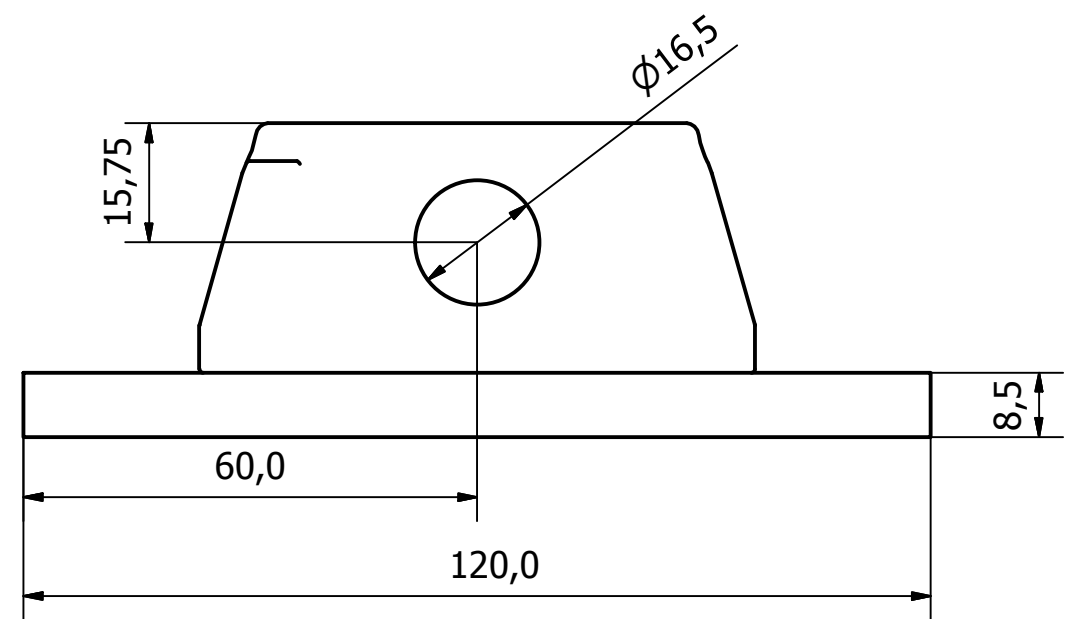
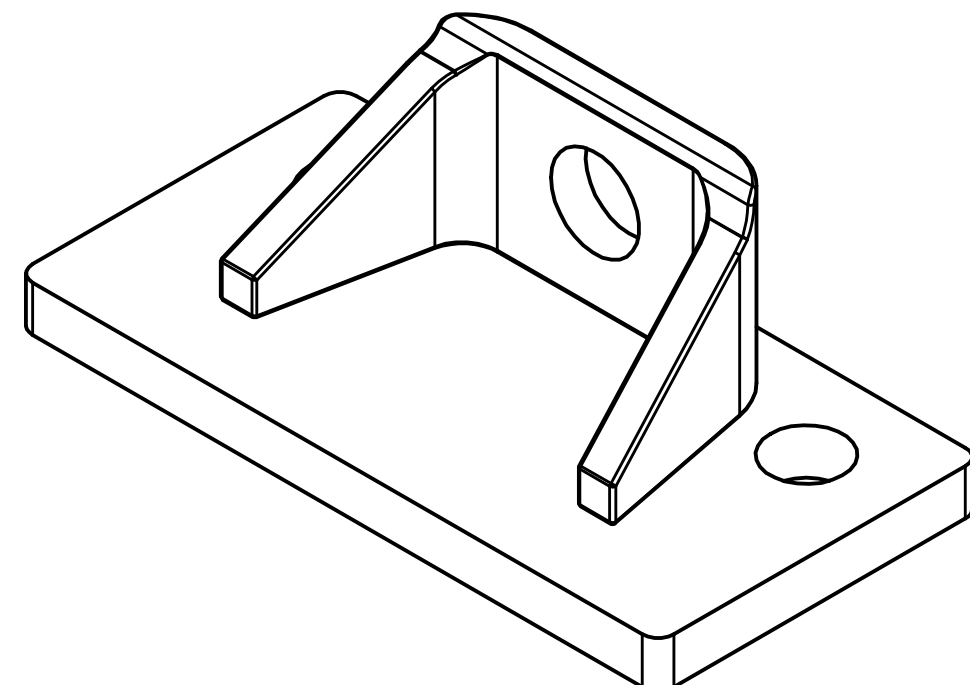


2 x Ø13,5 HOLES



1	VALIDATION COMPLETE	04/12/17	A.P
REV	DESCRIPTION	DATE	APPROVED

GENERAL TOLERANCES ON LENGTHS

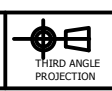
0.5 - 6 ± 0.1mm
6 - 30 ± 0.2mm
30 - 120 ± 0.3mm
120 - 400 ± 0.5mm
400 - 1000 ± 0.8mm
1000 - 2000 ± 1.2mm
2000 - 4000 ± 2.0mm

ALBERT JAGGER LTD
 GREEN LANE
 WALSALL PHONE: 01922 471000
 WEST MIDLANDS FAX: 01922 648021
 WS2 8HG

THIS DRAWING & THE DESIGN SHOWN ARE THE PROPERTY OF ALBERT JAGGER LTD AND MUST NOT BE USED OR COPIED BY A THIRD PARTY WITHOUT PERMISSION

DRAWN BY
U.F

CHECKED BY
A.P



SCALE
1 : 1

MATERIAL
M/STEEL

MASS
0.607 kg

FINISH
P/C
BLACK

Date
29/11/2017

ALL DIMS IN MM UNLESS STATED DO NOT SCALE

A3



SCANIA 4&5" UPPER BOL ON BRACKET - FLEX FIT

6033-138

Edition 1	Sheet 1 / 1
--------------	----------------