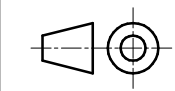


| ACCURACY | | | | REVIEW | N°2 | DATE | DESCRIPTION | DRAFTSMAN |
|--------------------|------|-------------------|------|-------------------|------|---------------------------------|-------------|----------------------|
| LINEAR DIMENSIONS | | | | | | | | |
| to 6 | ±0.1 | from 6 to 30 | ±0.2 | from 30 to 120 | ±0.3 | from 120 to 315 | ±0.5 | |
| from 315 to 1000 | ±0.8 | from 1000 to 2000 | ±1.2 | from 2000 to 4000 | ±2.0 | from 4000 | ±3.0 | |
| ANGULAR DIMENSIONS | | | | MATERIAL | | TREATMENT | DRAFTSMAN | |
| from 6 | ±1° | to 6 from 30 | ±30' | from 30 to 120 | ±20' | from 120 | ±10' | Polypropylene |
| | | | | CREATION DATE | | SET | | |
| | | | | 25/02/2022 | | DRAWING CODE | | |
| | | | | | | 446064020.asm | | |
| | | | | | | DESCRIPTION | | |
| | | | | | | ORIGIN 1000 | | |
| | | | | | | DESCRIPTION OF FINISHED PRODUCT | | |
| | | | | | | 446064020 | | |

LAGO
 Lago Accessori srl
 via 1°Maggio 20, 35014 Fontaniva (Pd) Italy
 Tel: +39 049 5940932 Fax: +39 049 5940599
 www.lagoaccessori.net info@lagoaccessori.net

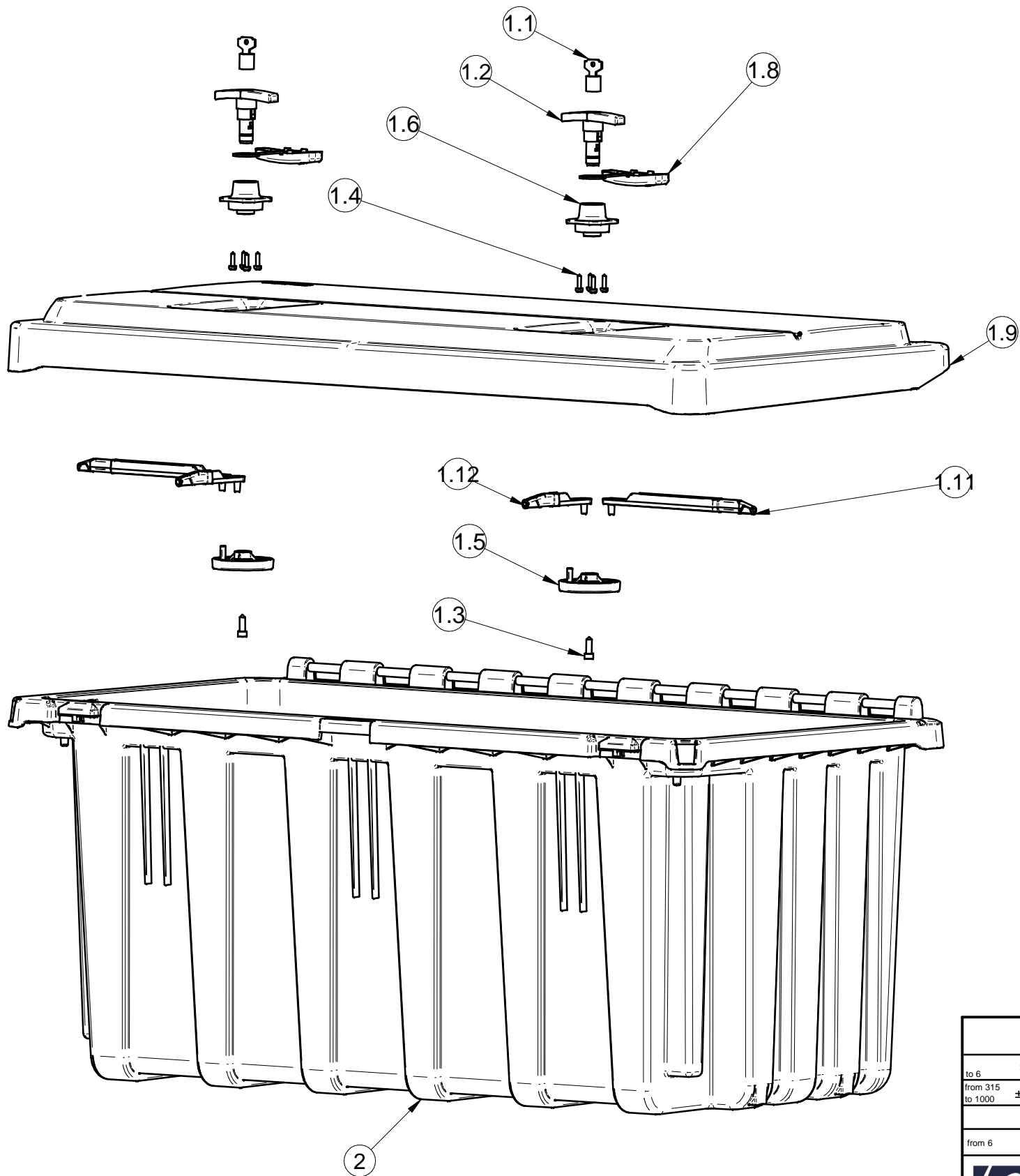
SCALE
1 : 1
 SHEET
 1/2



1 2 3 4 5 6 7 8 9 10

A
B
C
D
E
G
H
I

A
B
C
D
E
F
G
H



| DISTINTA PARTI | | | | |
|----------------|-----------|--|---------------|-------|
| POS. | NOME FILE | DESCRIZIONE | MATERIALE | Q.TA' |
| 1 | 456064020 | COPERCHIO ORIGIN 800 ASS. | | 1 |
| 1.1 | 051104002 | SERRATURA BD ROTORE+STATORE+2CH ST/COMB BD | | 2 |
| 1.2 | 050904005 | MANIGLIA LISCIA C/FORO (MERONI) | PA6 30 GF | 2 |
| 1.3 | 081101030 | VITE TRUCIOLARE TCCE 6,3X19 ZN MANIG.BD | Fe360 | 3 |
| 1.4 | 081101012 | VITE TRUCC.TC 4X16 ZN | Fe360 | 8 |
| 1.5 | 050902058 | DISCO X ASTE CHIUSURA CASS. ORIGIN | PA6 30 GF | 2 |
| 1.6 | 050902057 | BOCCOLA PER MANIGLIA ORIGIN | PA6 30 GF | 2 |
| 1.8 | 050902006 | COPRIMANIGLIA IN PLASTICA NERA | | 2 |
| 1.9 | 456065020 | COPERCHIO CASSETTA ORIGIN 1000 STAMPATO | POLIPROPILENE | 1 |
| 1.11 | 050503002 | ASTA IN PLASTICA CASSETTA ORIGIN 500/1000 | PA6+30GF | 2 |
| 1.12 | 050503001 | ASTA CENTRALE PLASTICA CASSETTE ORIGIN | PA6+30GF | 2 |
| 2 | 466015020 | CORPO CASSA 1000 | POLIPROPILENE | 1 |

| | | | | | | | |
|--|--|--|--|----------------------------------|-----------------------------|--|---------------------------------|
| ACCURACY LINEAR DIMENSIONS to 6 ±0.1 from 6 to 30 ±0.2 from 30 to 120 ±0.3 from 120 to 315 ±0.5 from 315 to 1000 ±0.8 from 1000 to 2000 ±1.2 from 2000 to 4000 ±2.0 from 4000 ±3.0 | | | | REVIEW N°2 N°1 | DATE | DESCRIPTION | DRAFTSMAN |
| | | | | | DATE | DESCRIPTION | DRAFTSMAN |
| ANGULAR DIMENSIONS from 6 ±1° to 6 from 30 ±30' from 30 to 120 ±20' from 120 ±10' | | | | MATERIAL Polypropylene | | TREATMENT | DRAFTSMAN Paolo Livio |
| LAGO Lago Accessori srl via 1°Maggio 20, 35014 Fontaniva (Pd) Italy Tel: +39 049 5940932 Fax: +39 049 5940599 www.lagoaccessori.net info@lagoaccessori.net | | | | SCALE 1 : 1 | CREATION DATE 25/02/2022 | SET DRAWING CODE 446064020.asm | |
| | | | | SHEET 2/2 | | DESCRIPTION ORIGIN 1000 DESCRIPTION OF FINISHED PRODUCT | |
| | | | | 446064020 | | | |

1 2 3 4 5 6 7 8 9 10