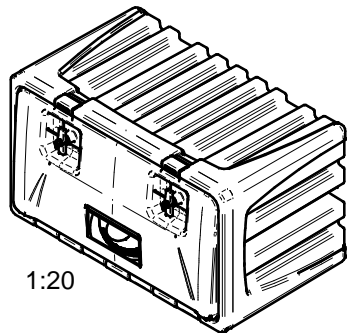


DETTAGLIO A

THICKNESS MIDDLE : 4mm  
 WEIGHT : 11.5Kg  
 VOLUME: 123 l

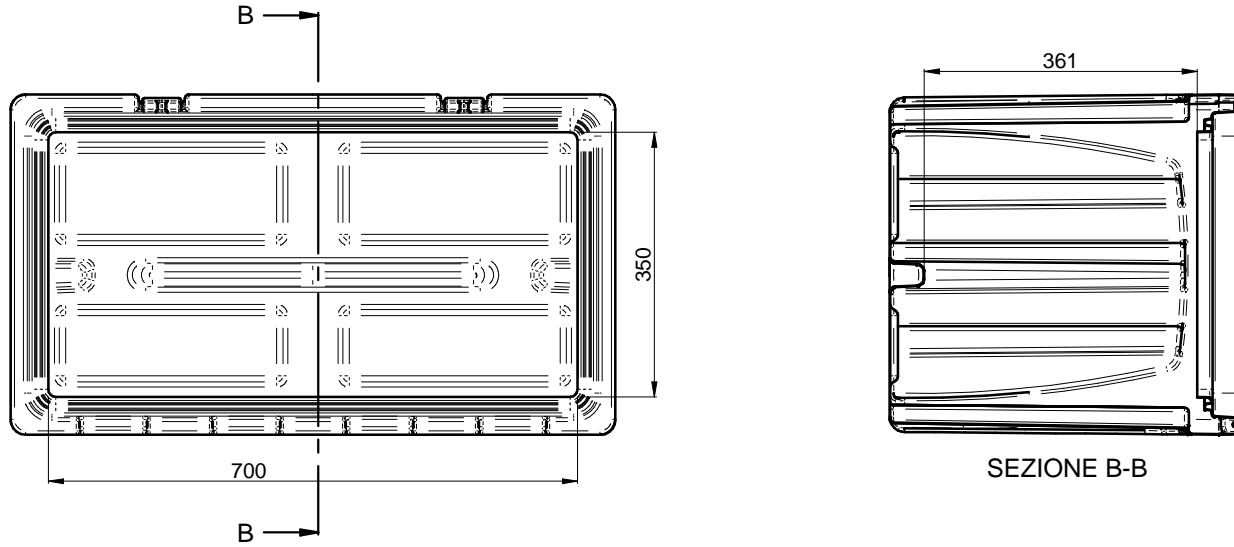




1:20

FOR ALL MISSING DIMENSIONS  
 MAKE REFERENCE TO THE  
 MODEL CAD 3D

ACCURACY LINEAR DIMENSIONS				REVIEW	N°2	DATE	DESCRIPTION	DRAFTSMAN				
to 6	±0.1	from 6 to 30	±0.2		from 30 to 120	±0.3	from 120 to 315	±0.5	N°1	DATE	DESCRIPTION	DRAFTSMAN
from 315 to 1000	±0.8	from 1000 to 2000	±1.2		from 2000 to 4000	±2.0	from 4000	±3.0	MATERIAL	TREATMENT	DRAFTSMAN	
ANGULAR DIMENSIONS				PE				<b>Manuel Pillan</b>				
from 6	±1°	to 6 from 30	±30'	from 30 to 120	±20'	from 120	±10'	CREATION DATE	SET			
<p>Lago Accessori srl          via 1°Maggio 20, 35014 Fontaniva (Pd) Italy          Tel: +39 049 5940932 Fax: +39 049 5940599          www.lagoaccessori.net info@lagoaccessori.net</p>				SCALE	19/12/2016	DRAWING CODE						
				SHEET	1/2	445055033.asm						
						DESCRIPTION						
						CASSETTA 800X450X470 BLACK DOG						
						DESCRIPTION OF FINISHED PRODUCT						

# MIN. INTERNAL DIMENSIONS



ACCURACY LINEAR DIMENSIONS					REVIEW	N°2	DATE	DESCRIPTION	DRAFTSMAN
to 6	±0.1	from 6 to 30	±0.2	from 30 to 120		±0.3	from 120 to 315	±0.5	.
from 315 to 1000	±0.8	from 1000 to 2000	±1.2	from 2000 to 4000	±2.0	from 4000	±3.0	.	DRAFTSMAN
ANGULAR DIMENSIONS					MATERIAL		TREATMENT	DRAFTSMAN	
from 6	±1°	to 6 from 30	±30'	from 30 to 120	±20'	from 120	±10'	PE	Manuel Pillan
 <p><b>Lago Accessori srl</b> via 1°Maggio 20, 35014 Fontaniva (Pd) Italy Tel: +39 049 5940932 Fax: +39 049 5940599 www.lagoaccessori.net info@lagoaccessori.net</p>					SCALE	19/12/2016	SET	DRAFTSMAN <b>Manuel Pillan</b>	
					1 : 10	CREATION DATE	DRAWING CODE		
SHEET 2/2						DESCRIPTION		DESCRIPTION OF FINISHED PRODUCT	
						CASSETTA 800X450X470 BLACK DOG			

LAGO ACCESSORI COPYRIGHT. ANY RIPRODUCTION WITHOUT WRITTEN PERMISSION OF LAGO ACCESSORI IS FORBIDDEN