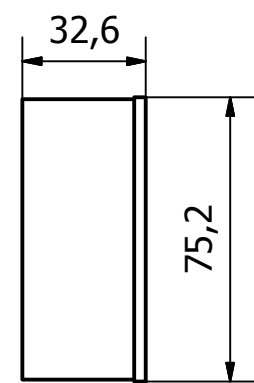
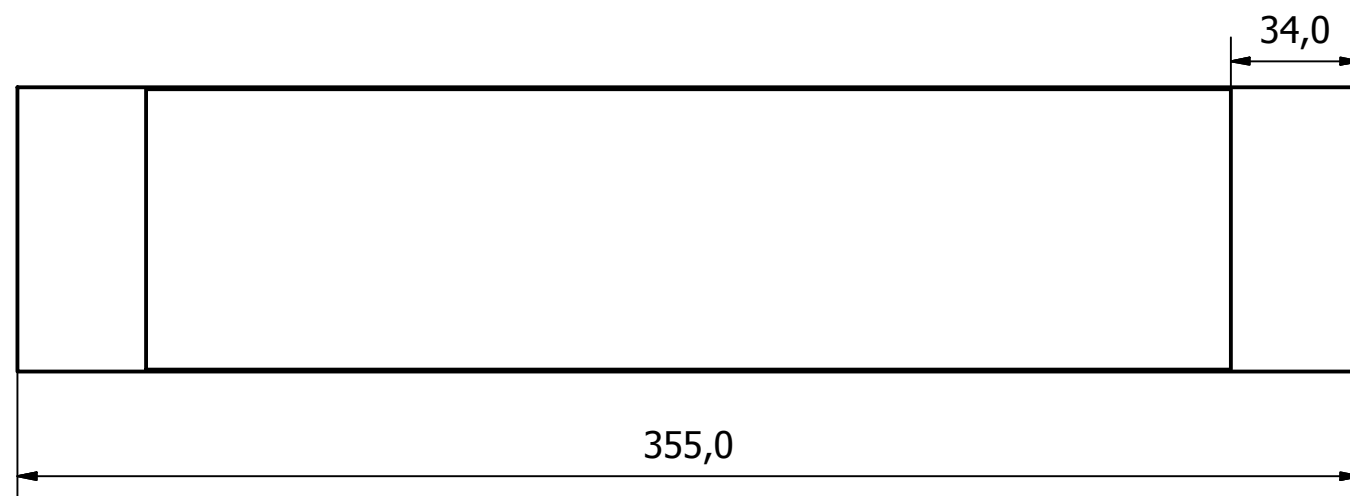
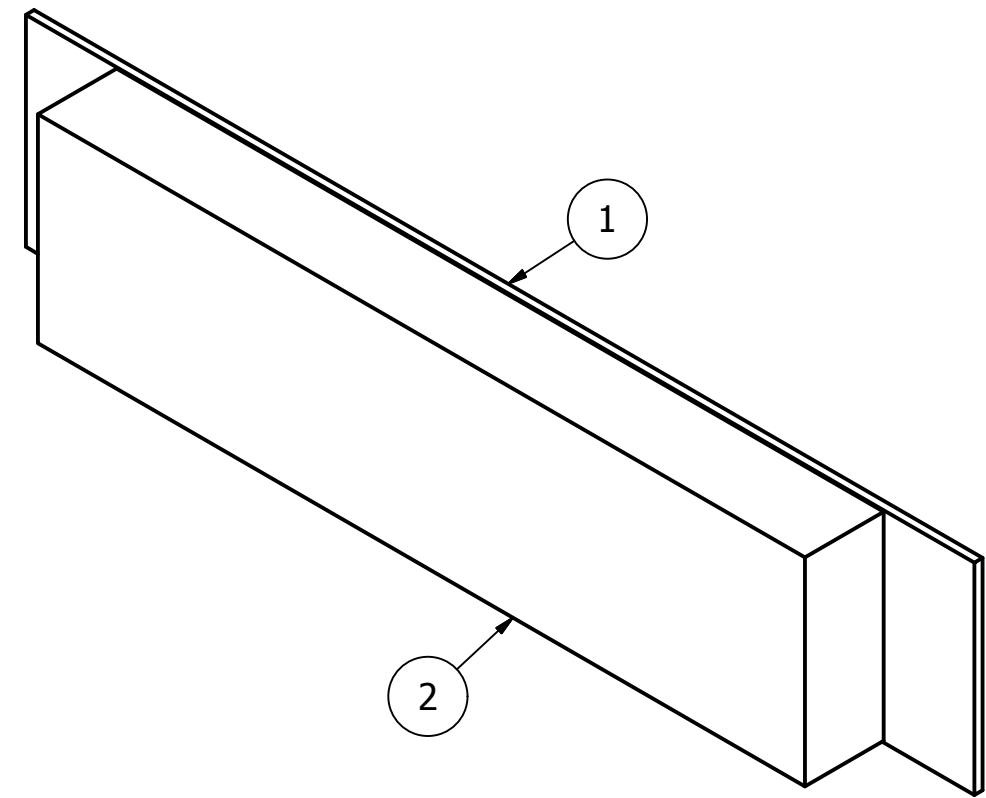
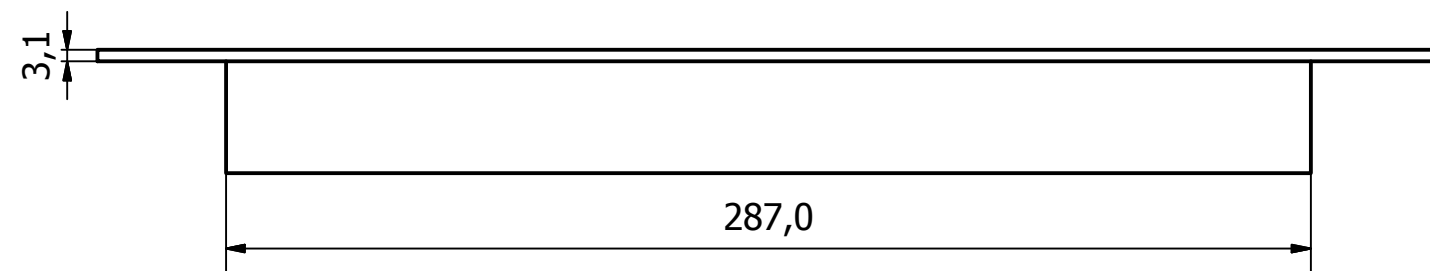


PARTS LIST			
ITEM	QTY	PART NUMBER	DESCRIPTION
1	1	9922-101-1	M/STEEL MOUTNING PLATE - P/C BLACK
2	1	9922-101-2	BLACK RUBBER TIPPER PAD



NOTE:
A SYNTHETIC RUBBER PAD BONDED TO A METAL PLATE

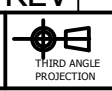
GENERAL TOLERANCES ON LENGTHS
0.5 - 6 ± 0.1mm
6 - 30 ± 0.2mm
30 - 120 ± 0.3mm
120 - 400 ± 0.5mm
400 - 1000 ± 0.8mm
1000 - 2000 ± 1.2mm
2000 - 4000 ± 2.0mm

ALBERT JAGGER LTD
GREEN LANE
WALSALL PHONE: 01922 471000
WEST MIDLANDS FAX: 01922 648021
WS2 8HG

THIS DRAWING & THE DESIGN SHOWN ARE THE PROPERTY OF ALBERT JAGGER LTD AND MUST NOT BE USED OR COPIED BY A THIRD PARTY WITHOUT PERMISSION

DRAWN BY
U.F

CHECKED BY
A.P



SCALE
1 : 2

MATERIAL
SEE TABLE

MASS
1.234 kg

FINISH
SEE TABLE

Date
06/07/2017

ALL DIMS IN MM UNLESS STATED DO NOT SCALE

A3

1	VALIDATION COMPLETE	15/08/17	A.P
REV	DESCRIPTION	DATE	APPROVED



TIPPER PAD - 355 x 75.2	
9922-101	Edition 1 / Sheet 1 / 1