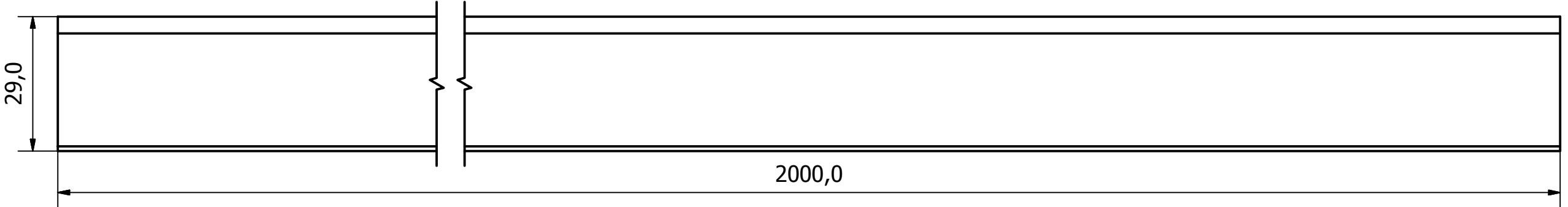
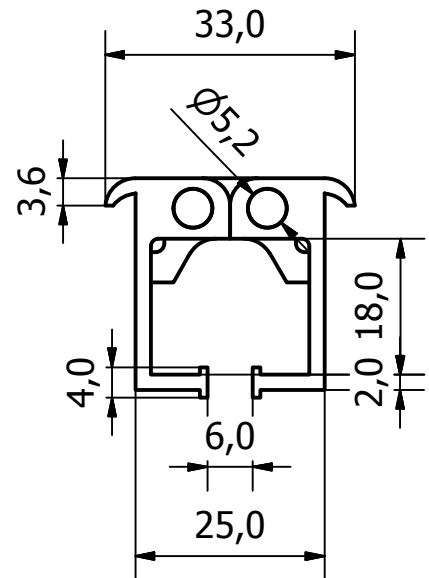
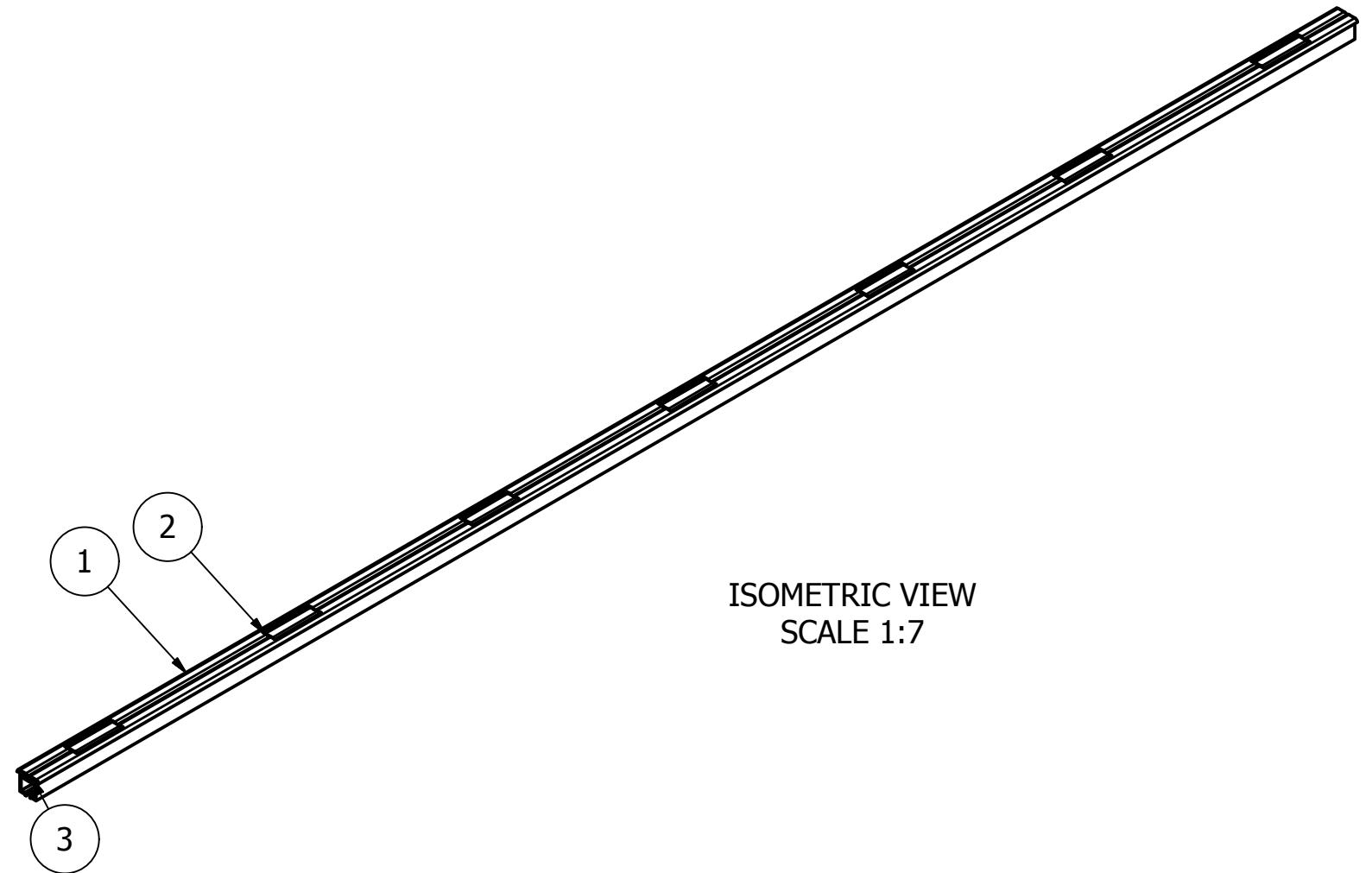


PARTS LIST			
ITEM	QTY	PART NUMBER	DESCRIPTION
1	2	0486-7313520-1	ALUMINIUM HINGE BODY- RH
2	7	0486-7313520-2	ALUMINIUM DOUBLE KNUCKLE
3	2	0486-7313520-3	S/STEEL 304 HINGE PIN



REV	DESCRIPTION	DATE	APPROVED
3	NEW PART No. ASSIGNED WAS 2227/2000	09/10/18	U.F
2	PART NUMBER TABLE REMOVED	05/10/17	U.F
1	VALIDATION COMPLETE	13/04/17	A.P

NOTE:
FINISH - COLOURLESS ANODISED

GENERAL TOLERANCES ON LENGTHS
0.5 - 6 ± 0.1mm
6 - 30 ± 0.2mm
30 - 120 ± 0.3mm
120 - 400 ± 0.5mm
400 - 1000 ± 0.8mm
1000 - 1200 ± 1.2mm
2000 - 4000 ± 2.0mm

ALBERT JAGGER LTD
GREEN LANE
WALSALL PHONE: 01922 471000
WEST MIDLANDS FAX: 01922 648021
WS2 8HG

THIS DRAWING & THE DESIGN SHOWN ARE THE PROPERTY OF ALBERT JAGGER LTD AND MUST NOT BE USED OR COPIED BY A THIRD PARTY WITHOUT PERMISSION

DRAWN BY U.F	CHECKED BY A.P	THIRD ANGLE PROJECTION	SCALE 1 : 1	MATERIAL SEE TABLE	MASS 2.50kg	FINISH SEE NOTE	Date 27/03/2017	ALL DIMS IN MM UNLESS STATED DO NOT SCALE	A3	
albert Jagger								DOUBLE KNUCKLED ALUMINIUM HINGE - 2000 O/A		
							0486-7313520		Edition 3	
							Sheet 1 / 1			