

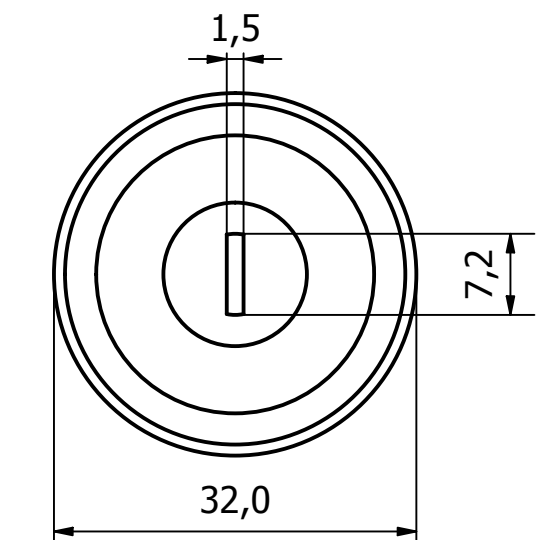
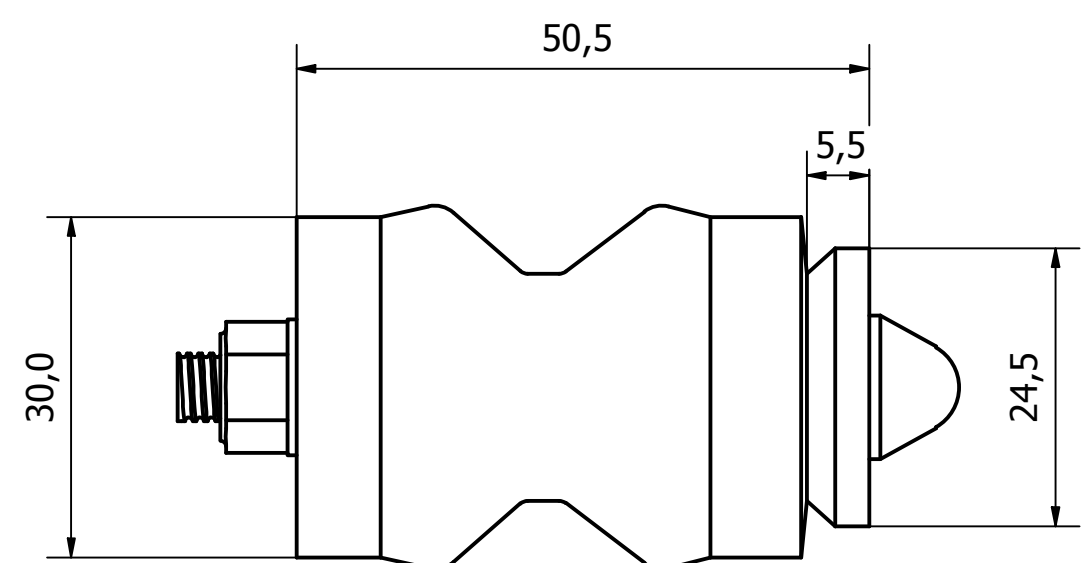
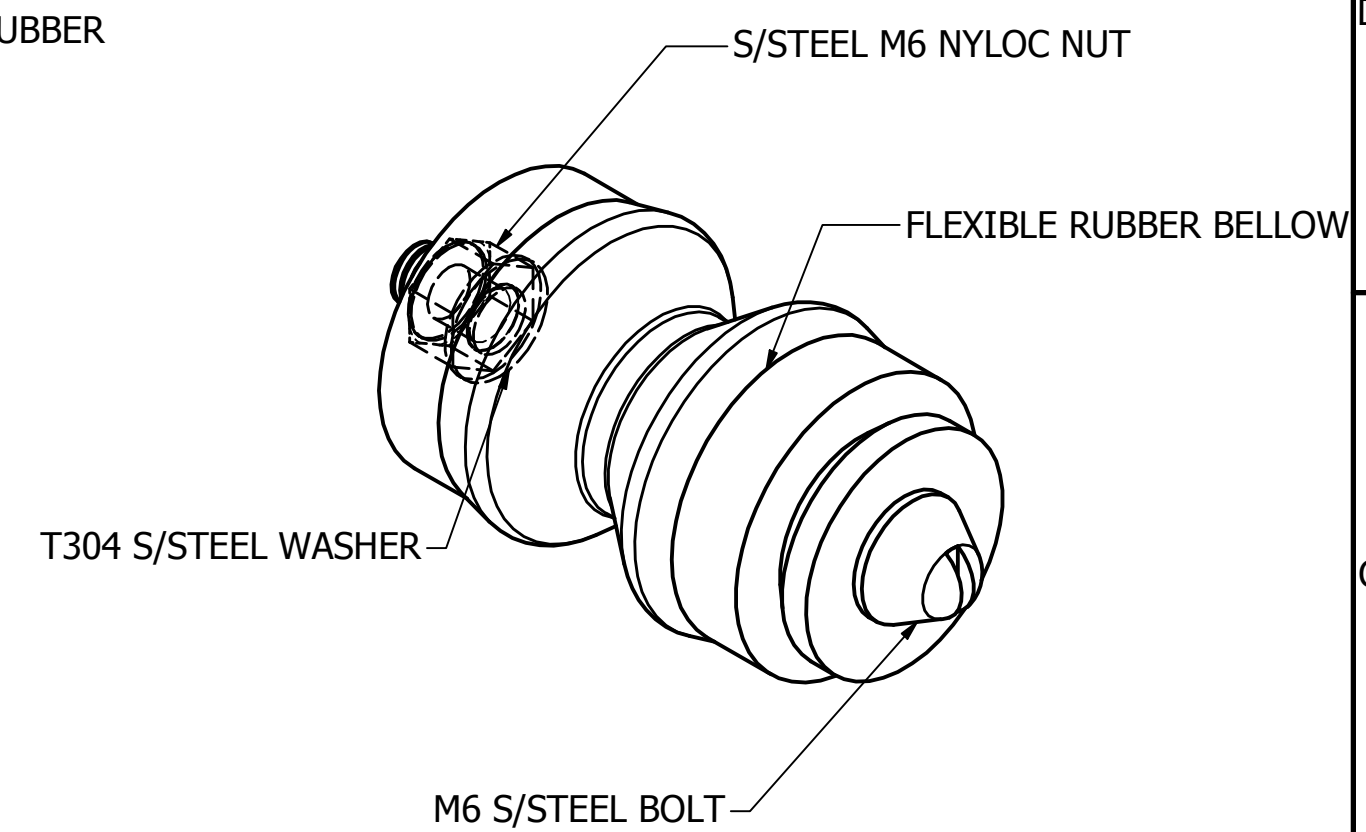
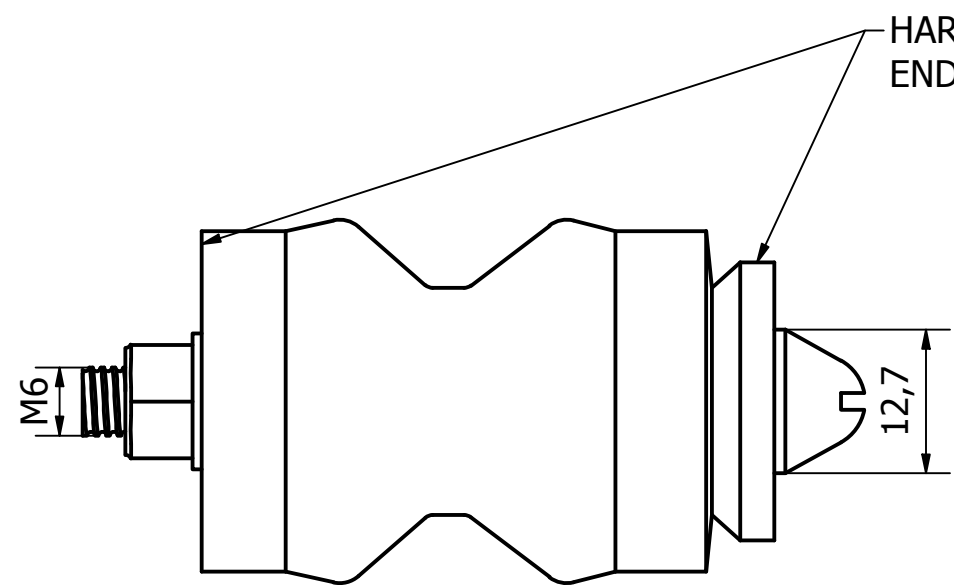
6 5 4 3 2 1

D D

C C

B B

A A



NOTE:
NATURAL FINISH ON STAINLESS COMPONENTS
BLACK FINISH ON RUBBER SPACER

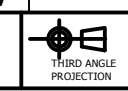
GENERAL TOLERANCES ON LENGTHS	
0.5 - 6 ± 0.1mm	
6 - 30 ± 0.2mm	
30 - 120 ± 0.3mm	
120 - 400 ± 0.5mm	
400 - 1000 ± 0.8mm	
1000 - 2000 ± 1.2mm	
2000 - 4000 ± 2.0mm	

ALBERT JAGGER LTD
GREEN LANE
WALSALL PHONE: 01922 471000
WEST MIDLANDS FAX: 01922 648021
WS2 8HG

THIS DRAWING & THE DESIGN SHOWN
ARE THE PROPERTY OF ALBERT JAGGER LTD
AND MUST NOT BE USED OR COPIED BY A
THIRD PARTY WITHOUT PERMISSION

DRAWN BY
A.S

CHECKED BY
A.P



SCALE
1.5:1

MATERIAL
SEE
DRAWING

MASS
0.055 kg

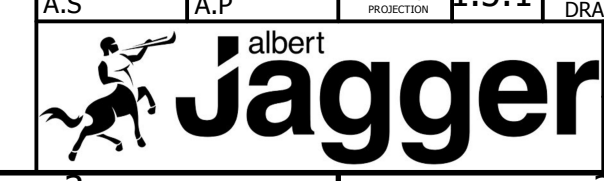
FINISH
SEE NOTE

Date
01/02/2019

ALL DIMS IN MM
UNLESS STATED
DO NOT SCALE

A3

1	VALIDATION COMPLETE	15/02/19	A.P
REV	DESCRIPTION	DATE	APPROVED



M8 DOOR ADJUSTABLE SPACER	
0500-003	
Edition 1	Sheet 1 / 1

6 5 4 3 2 1