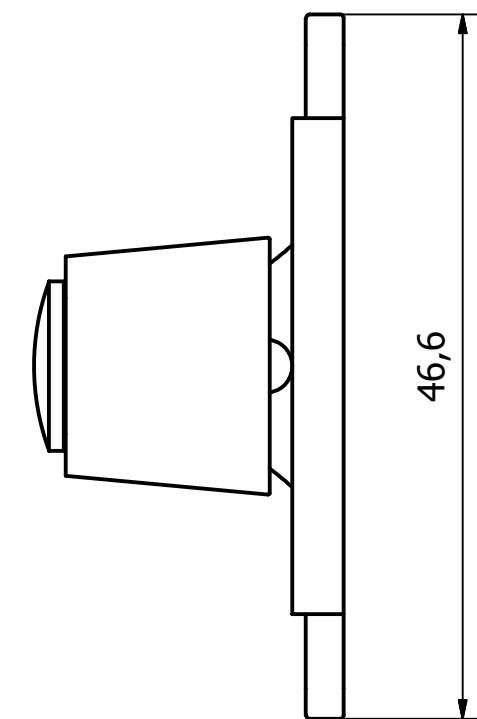
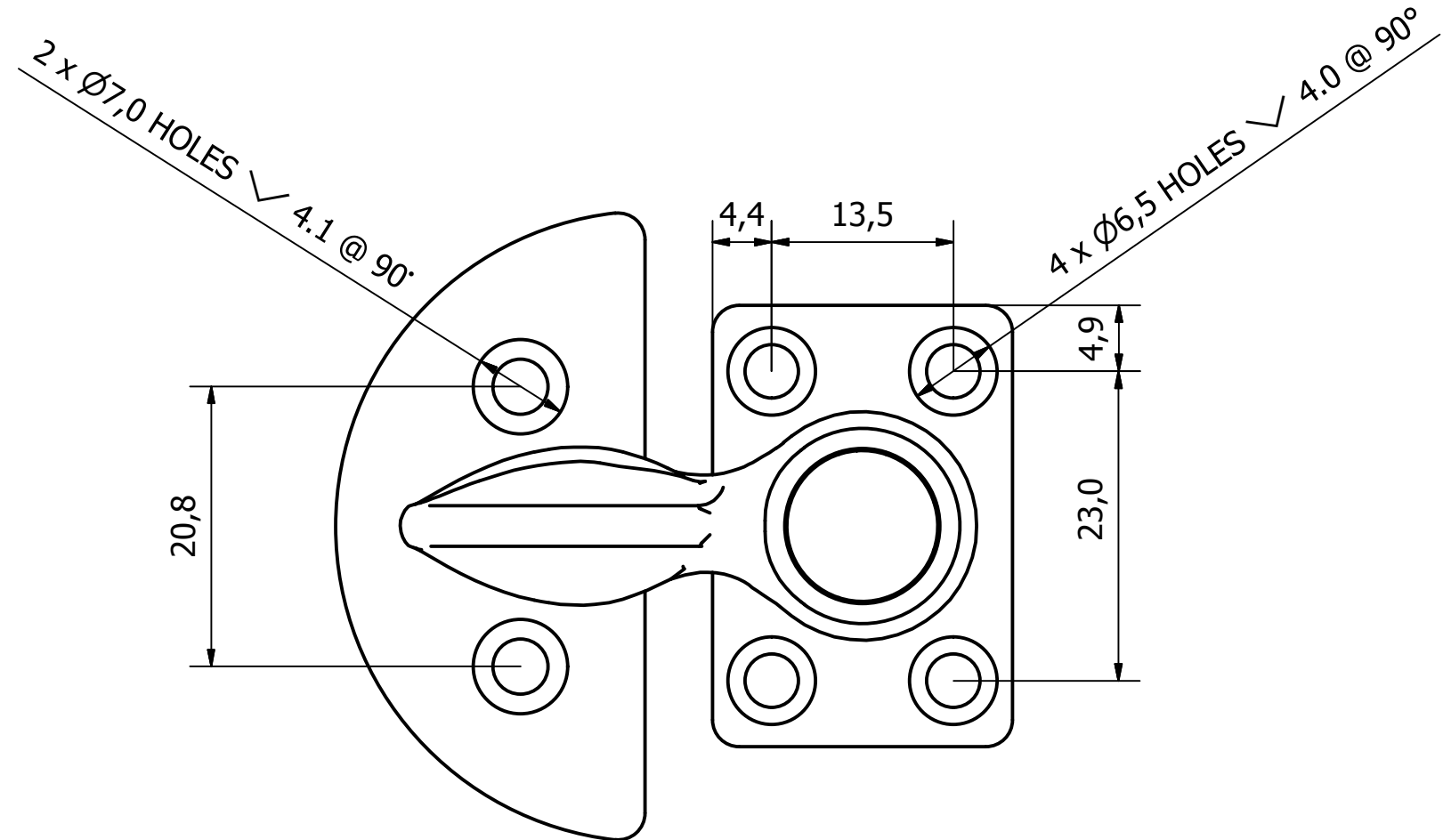
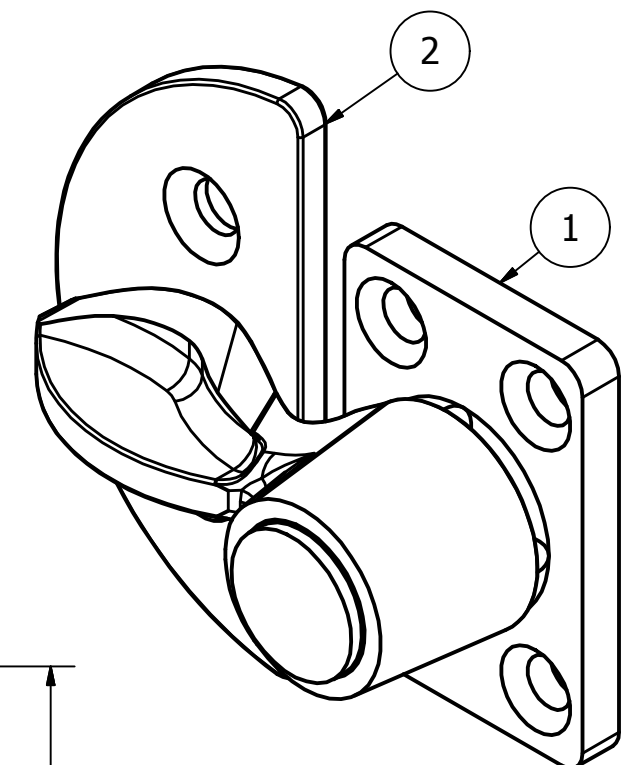
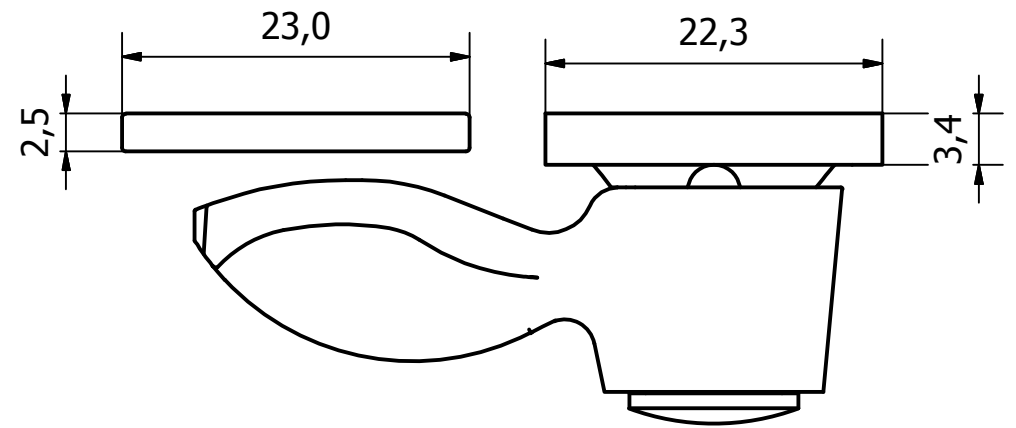


PARTS LIST

ITEM	QTY	PART NUMBER	DESCRIPTION
1	1	0660-001	CHROME PLATED GRAVELLY FASTENER
2	1	0660-101	CHROME PLATED FASTENER PLATE



NOTE:
GRAVELLY FASTENER SPRING LOADED
TO ENSURE FLUSH FITTING

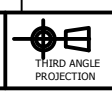
GENERAL TOLERANCES ON LENGTHS
0.5 - 6 ± 0.1mm
6 - 30 ± 0.2mm
30 - 120 ± 0.3mm
120 - 400 ± 0.5mm
400 - 1000 ± 0.8mm
1000 - 2000 ± 1.2mm
2000 - 4000 ± 2.0mm

ALBERT JAGGER LTD
GREEN LANE
WALSALL PHONE: 01922 471000
WEST MIDLANDS FAX: 01922 648021
WS2 8HG

THIS DRAWING & THE DESIGN SHOWN
ARE THE PROPERTY OF ALBERT JAGGER LTD
AND MUST NOT BE USED OR COPIED BY A
THIRD PARTY WITHOUT PERMISSION

DRAWN BY
U.F

CHECKED BY
A.P



SCALE
2 : 1

MATERIAL
M/STEEL

MASS
0.066 kg

FINISH
SEE TABLE

Date
26/09/2017

ALL DIMS IN MM
UNLESS STATED
DO NOT SCALE

A3

REV	DESCRIPTION	DATE	APPROVED
1	VALIDATION COMPLETE	18/10/17	A.P



CHROME POLISHED GRAVELLY FASTENER KIT

0660-0001

Edition 1 Sheet 1 / 1