

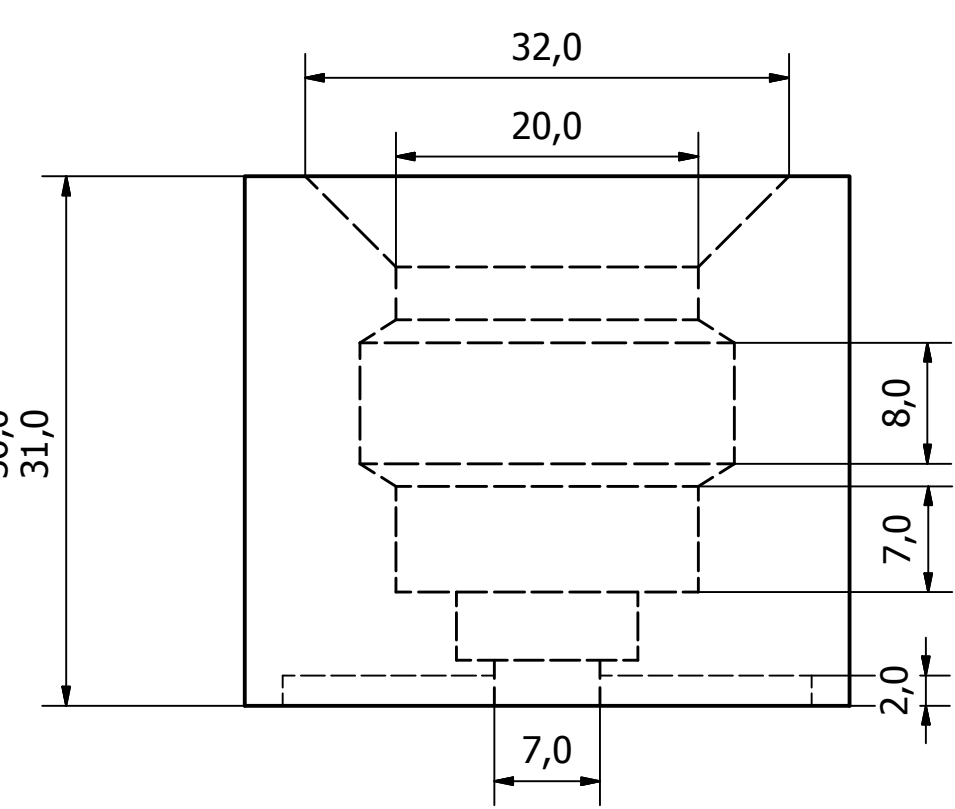
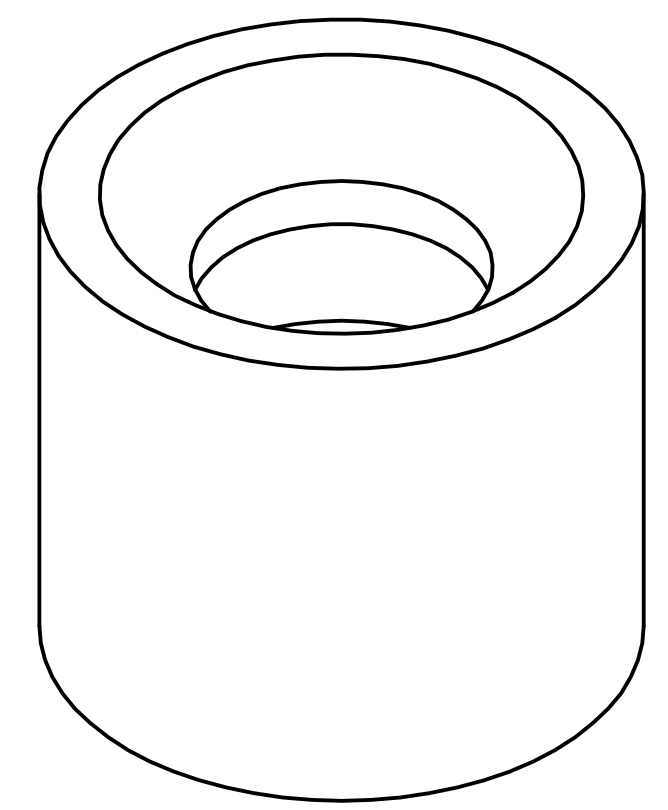
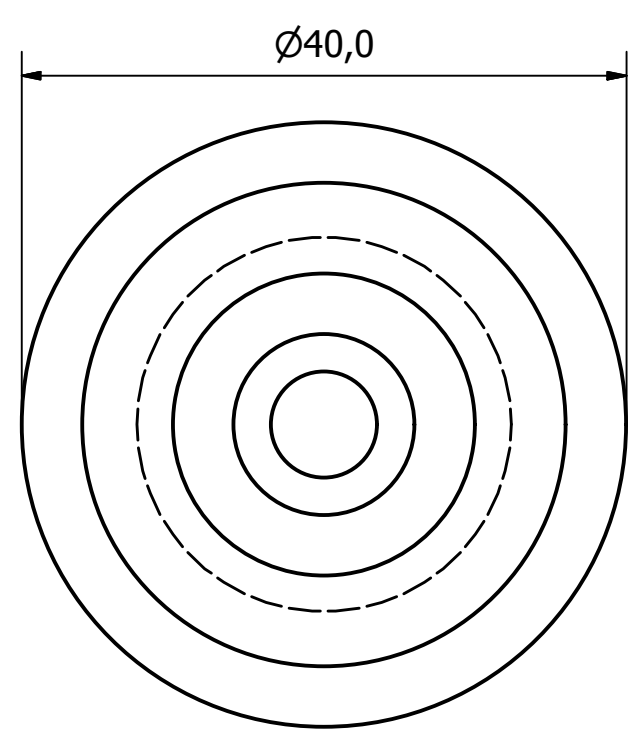
6 5 4 3 2 1

D D

C C

B B

A A



MATERIAL:
 MOULDED HARD BLACK RUBBER (S.B.A)
 STEEL WASHER

FINISH:
 WASHER - SHERADISED
 RUBBER - FREE OF SURFACE CONTAMINANTS AND FLASH

NOTE:
 MINIMUM LOAD - 200N
 TYPICAL LOAD - 250N
 75-85° SHORE HARDNESS
 FOR USE WITH 0666/002 MALE MATING HALF

7	DIMENSIONS AND PROFILE MODIFIED	29/05/18	U.F
6	NOTE EDITED	08/09/17	U.F
5	RE-DRAWN ON CAD	04/11/16	U.F
REV	DESCRIPTION	DATE	APPROVED

GENERAL TOLERANCES ON LENGTHS 0.5 - 6 ± 0.1mm 6 - 30 ± 0.2mm 30 - 120 ± 0.3mm 120 - 400 ± 0.5mm 400 - 1000 ± 0.8mm 1000 - 1200 ± 1.2mm 2000 - 4000 ± 2.0mm		ALBERT JAGGER LTD GREEN LANE WALSALL WEST MIDLANDS WS2 8HG PHONE: 01922 471000 FAX: 01922 648021		DRAWN BY U.F	CHECKED BY A.P	SCALE 2 : 1	MATERIAL SEE NOTE	MASS 0.030 kg	FINISH SEE NOTE	Date 04/11/2016	ALL DIMS IN MM UNLESS STATED DO NOT SCALE	A3
albert Jagger							FEMALE - RUBBER DOOR HOLDER			Edition 7	Sheet 1 / 1	
							0666-001					

6 5 4 3 2 1