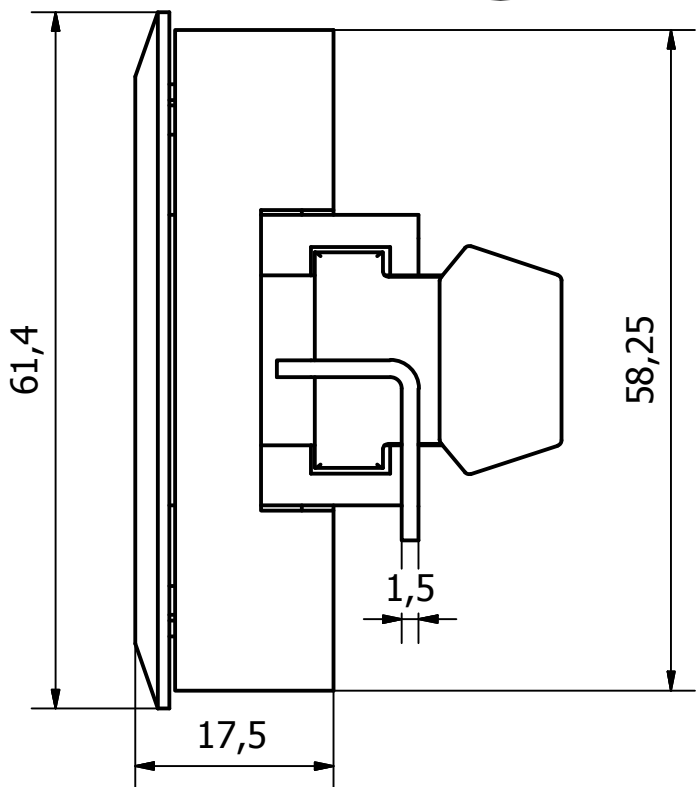
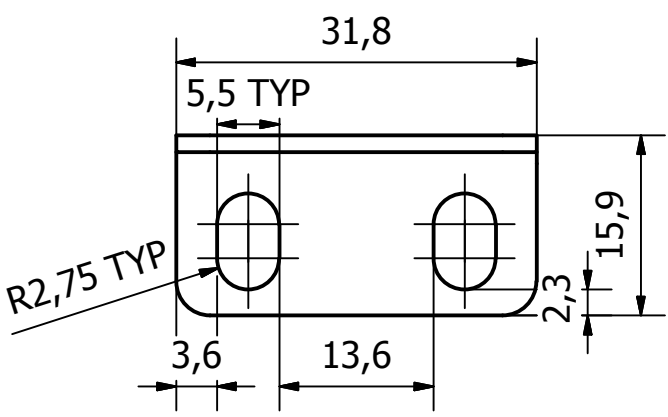
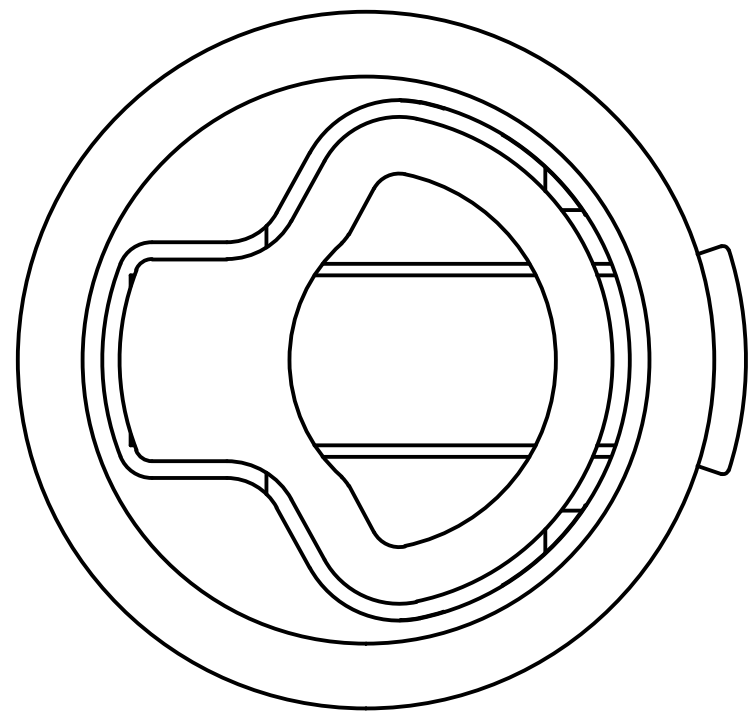
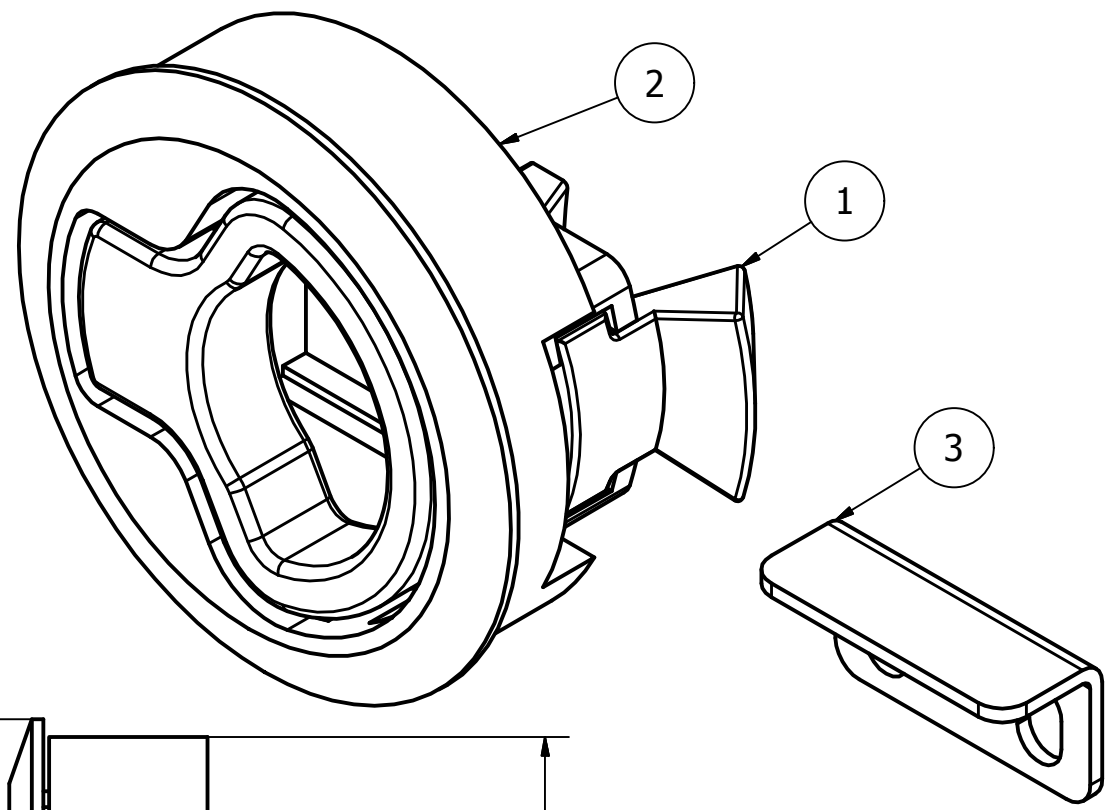
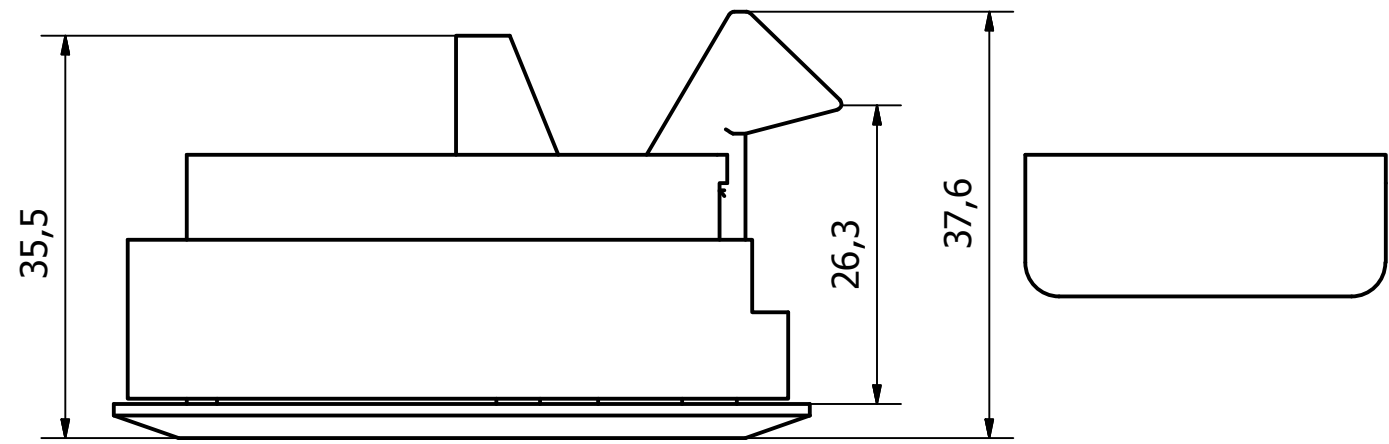


PARTS LIST			
ITEM	QTY	PART NUMBER	DESCRIPTION
1	1	0810-001-1	POLYPROPYLENE COMPARTMENT LOCK MAIL BODY BODY
2	1	0810-001-2	POLYPROPYLENE COMPARTMENT LOCK CLAMP
3	1	0810-001-3	MILD STEEL BLACK P/C STRIKER PLATE



PART No.	BODY AND CLAMP FINISH	STRIKER FINISH
0810/001	BLACK	P/C BLACK
0810/002	WHITE	Z/C PASSIVATE

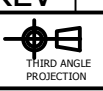
**NOTE:**  
 LOCK COMES WITH AN INTERIOR RELEASE AND SUITS PANELS FROM 1.5 TO 15mm THICK. FITTED THROUGH Ø50mm CUT OUT WITH 2 x 3/16 BSF BOLTS (NOT SUPPLIED)

GENERAL TOLERANCES ON LENGTHS
0.5 - 6 ± 0.1mm
6 - 30 ± 0.2mm
30 - 120 ± 0.3mm
120 - 400 ± 0.5mm
400 - 1000 ± 0.8mm
1000 - 2000 ± 1.2mm
2000 - 4000 ± 2.0mm

ALBERT JAGGER LTD  
 GREEN LANE  
 WALSALL PHONE: 01922 471000  
 WEST MIDLANDS FAX: 01922 648021  
 WS2 8HG  
 THIS DRAWING & THE DESIGN SHOWN ARE THE PROPERTY OF ALBERT JAGGER LTD AND MUST NOT BE USED OR COPIED BY A THIRD PARTY WITHOUT PERMISSION

DRAWN BY  
 U.F

CHECKED BY  
 A.P



SCALE  
 1.5:1

MATERIAL  
 -

MASS  
 0.046 kg

FINISH  
 SEE TABLE

Date  
 16/05/2017

ALL DIMS IN MM UNLESS STATED DO NOT SCALE

A3

1	VALIDATION COMPLETE	27/07/10	A.P
REV	DESCRIPTION	DATE	APPROVED



RECESSED COMPARTMENT LOCK	
0810-001	Edition 1 / Sheet 1 / 1