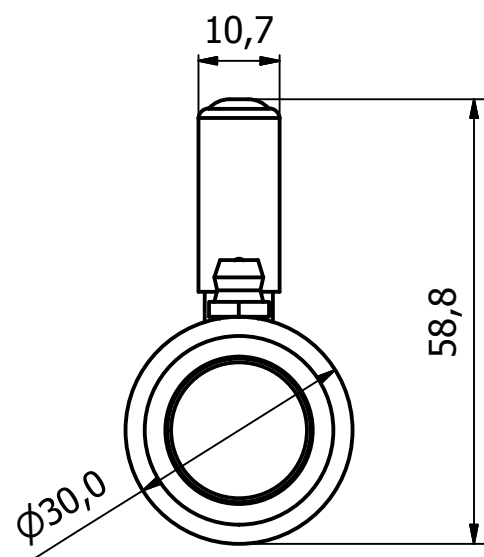
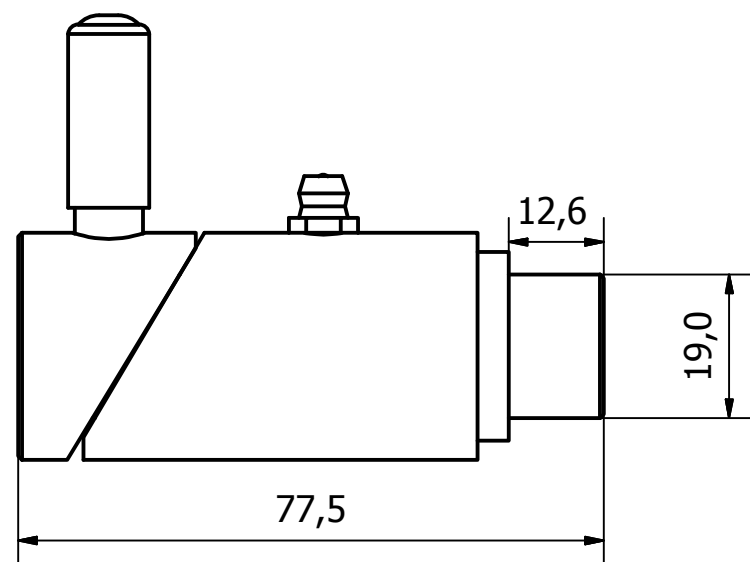
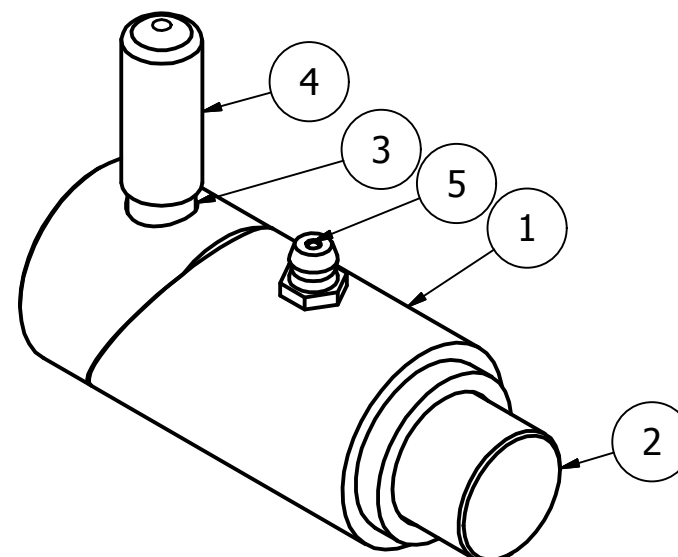


PARTS LIST			
ITEM	QTY	PART NUMBER	DESCRIPTION
1	1	0834-010-1	M/STEEL CASE CYLINDER BLOCK
2	1	0834-010-2	M/STEEL LEVER PIN BARREL
3	1	0834-010-3	M/STEEL LEVER PIN
4	1	0834-010-4	RED PLASTIC PIN CAP
5	1	0834-010-5	M/STEEL GREASE NIPPLE



1	VALIDATION COMPLETE	29/03/17	A.P
REV	DESCRIPTION	DATE	APPROVED

GENERAL TOLERANCES ON LENGTHS
0.5 - 6 ± 0.1mm
6 - 30 ± 0.2mm
30 - 120 ± 0.3mm
120 - 400 ± 0.5mm
400 - 1000 ± 0.8mm
1000 - 1200 ± 1.2mm
2000 - 4000 ± 2.0mm

ALBERT JAGGER LTD  
 GREEN LANE  
 WALSALL PHONE: 01922 471000  
 WEST MIDLANDS FAX: 01922 648021  
 WS2 8HG

THIS DRAWING & THE DESIGN SHOWN ARE THE PROPERTY OF ALBERT JAGGER LTD AND MUST NOT BE USED OR COPIED BY A THIRD PARTY WITHOUT PERMISSION

DRAWN BY  
U.F

CHECKED BY  
A.P



SCALE  
1:1

MATERIAL  
-

MASS  
0.388 kg

FINISH  
Z/C  
PASSIVATE

Date  
13/12/2016

ALL DIMS IN MM  
UNLESS STATED  
DO NOT SCALE

A3



WELD ON ROTALOCK SPRING BOLT -30 O/D

0834-010

Edition	Sheet
1	1 / 1