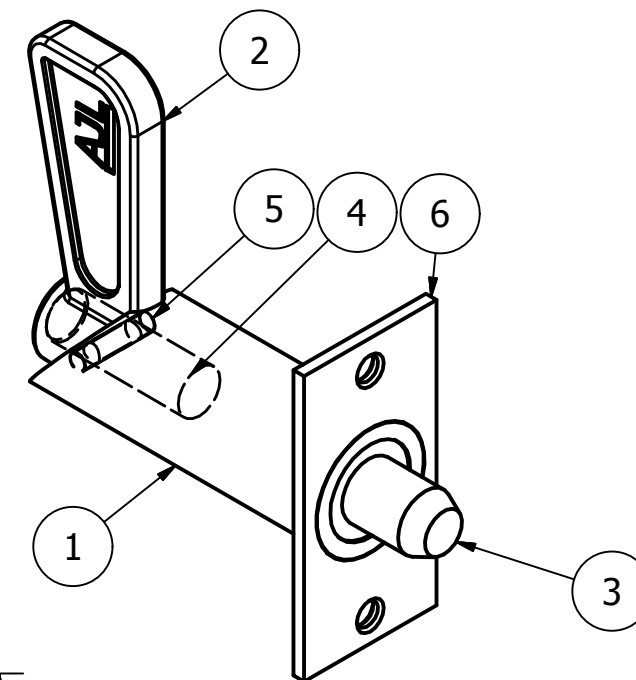
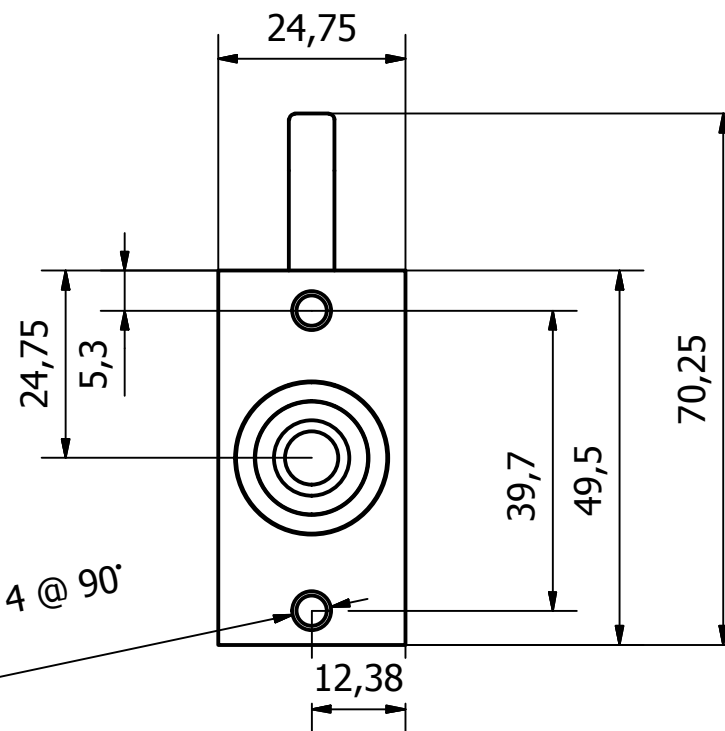


2 x Ø5,1 √ 4 @ 90°
BOTH SIDES



PARTS LIST			
ITEM	QTY	PART NUMBER	DESCRIPTION
1	1	0838-001-1	M/STEEL BOLT BODY
2	1	0838-001-2	M/STEEL LEVER
3	1	0838-001-3	M/STEEL BOLT
4	1	0838-001-4	M/STEEL BOLT PIN
5	1	0838-001-5	M/STEEL LEVER PIN
6	1	0838-0011-1	M/STEEL END PLATE

1	VALIDATION COMPLETE	15/02/17	A.P
REV	DESCRIPTION	DATE	APPROVED

GENERAL TOLERANCES ON LENGTHS
0.5 - 6 ± 0.1mm
6 - 30 ± 0.2mm
30 - 120 ± 0.3mm
120 - 400 ± 0.5mm
400 - 1000 ± 0.8mm
1000 - 1200 ± 1.2mm
2000 - 4000 ± 2.0mm

ALBERT JAGGER LTD
GREEN LANE
WALSALL PHONE: 01922 471000
WEST MIDLANDS FAX: 01922 648021
WS2 8HG

THIS DRAWING & THE DESIGN SHOWN ARE THE PROPERTY OF ALBERT JAGGER LTD AND MUST NOT BE USED OR COPIED BY A THIRD PARTY WITHOUT PERMISSION

DRAWN BY U,F
CHECKED BY A.P
SCALE 1:1
MATERIAL -
FINISH Z/C PASSIVATE
Date 20/12/2016
ALL DIMS IN MM UNLESS STATED DO NOT SCALE



SHOOT BOLT WITH WELDED END PLATE		0838-0011	Edition 1	Sheet 1 / 1
----------------------------------	--	-----------	-----------	-------------