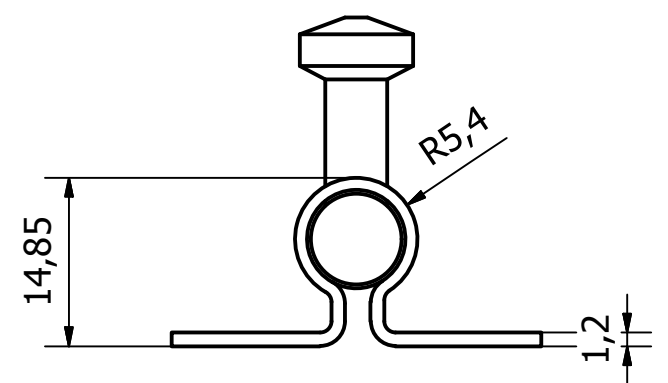
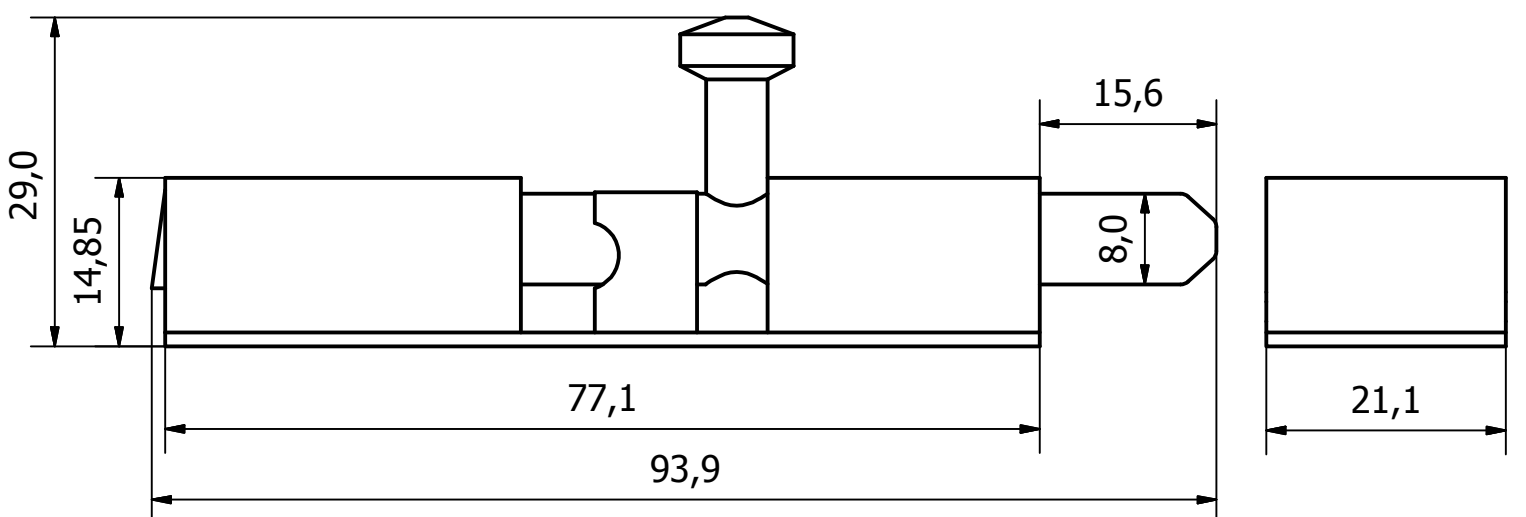
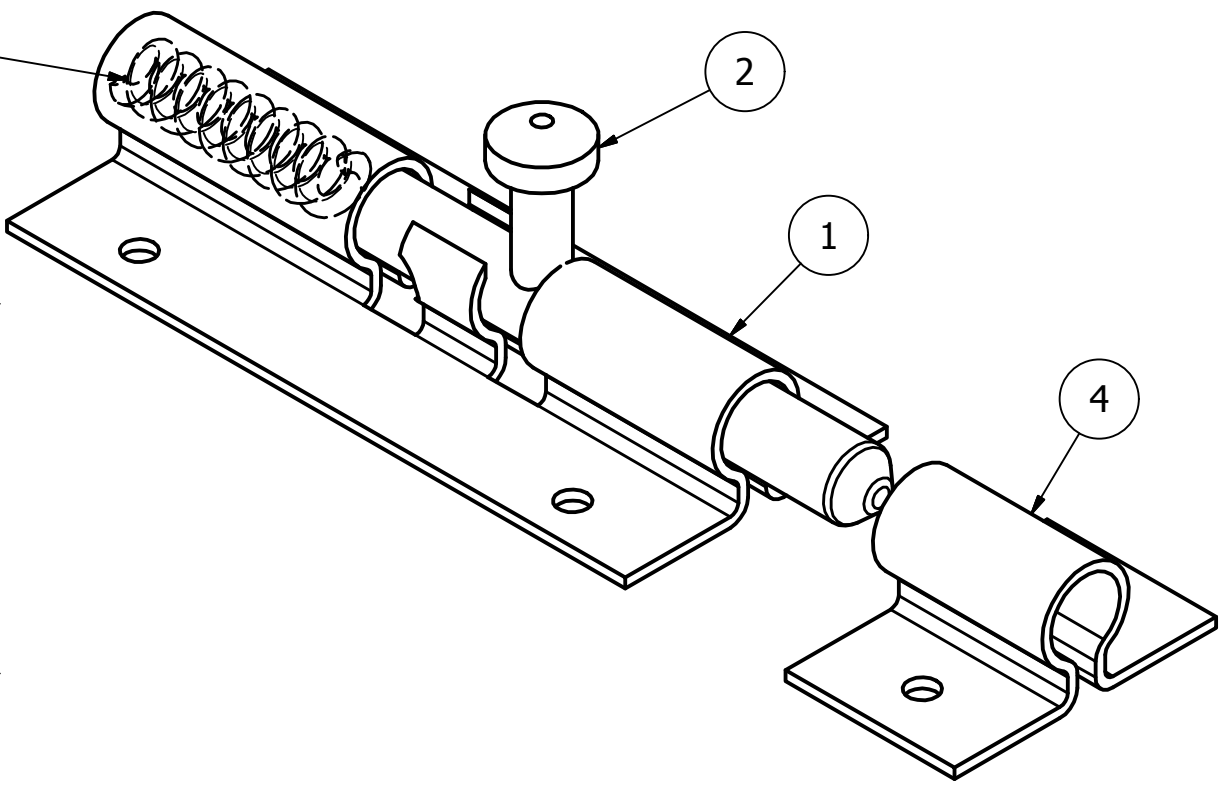
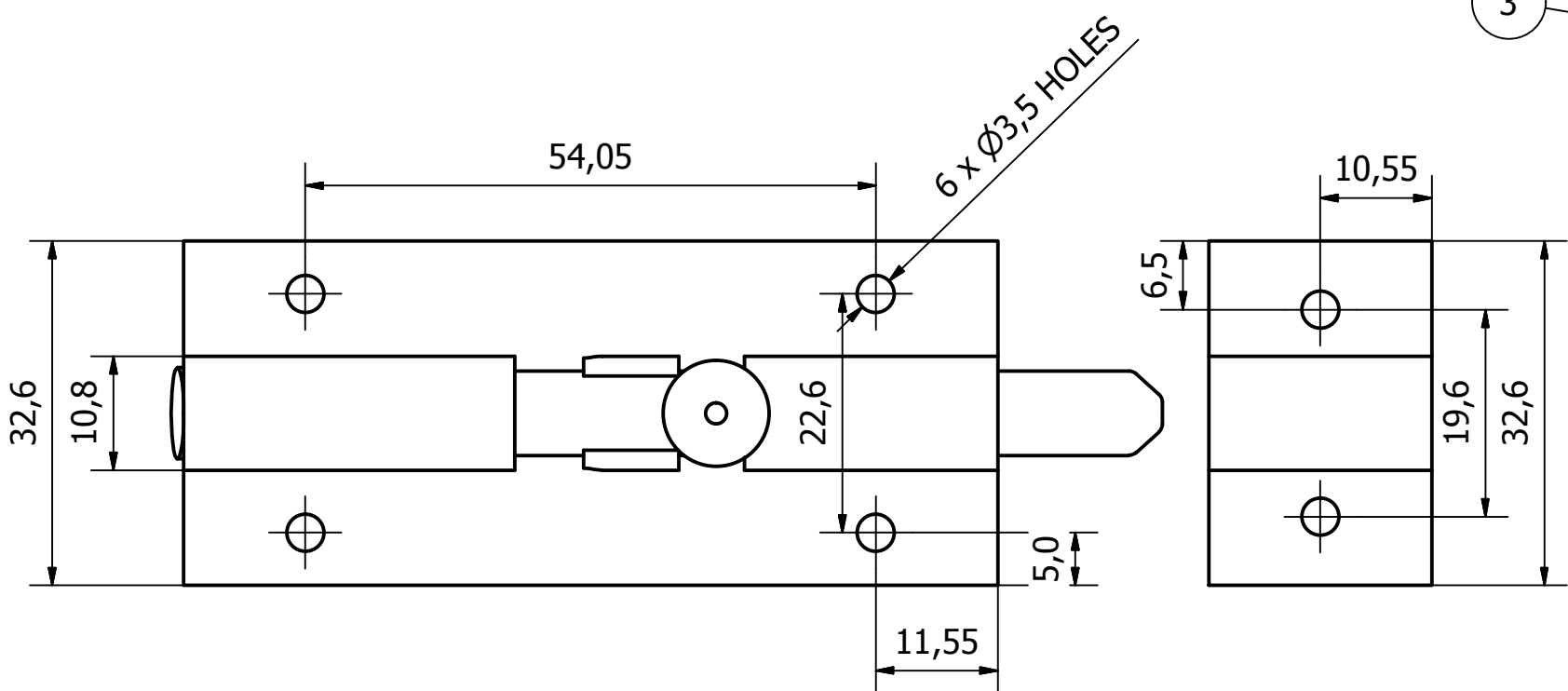


PARTS LIST			
ITEM	QTY	PART NUMBER	DESCRIPTION
1	1	0853-011-1	M/STEEL SPRING BOLT MAIN BODY
2	1	0853-011-2	M/STEEL SPRING BOLT BARREL
3	1	0853-002-3	M/STEEL SPRING
4	1	0853-011-3	M/STEEL RETAINING PLATE



1	VALIDATION COMPLETE	15/02/17	A.P
REV	DESCRIPTION	DATE	APPROVED
U.F	A.P	04/01/2017	A3
DRAWN BY	CHECKED BY	SCALE	MATERIAL
U.F	A.P	1.5:1	-
MASS	FINISH	Date	ALL DIMS IN MM UNLESS STATED DO NOT SCALE
0.080 kg	Z/C PASSIVATE	04/01/2017	
albert Jagger		L/DUTY SPRING BOLT - 77.1 O/A	
0853-011		Edition	Sheet
		1	1 / 1

GENERAL TOLERANCES ON LENGTHS
0.5 - 6 ± 0.1mm
6 - 30 ± 0.2mm
30 - 120 ± 0.3mm
120 - 400 ± 0.5mm
400 - 1000 ± 0.8mm
1000 - 1200 ± 1.2mm
2000 - 4000 ± 2.0mm

ALBERT JAGGER LTD
GREEN LANE
WALSALL PHONE: 01922 471000
WEST MIDLANDS FAX: 01922 648021
WS2 8HG

THIS DRAWING & THE DESIGN SHOWN ARE THE PROPERTY OF ALBERT JAGGER LTD AND MUST NOT BE USED OR COPIED BY A THIRD PARTY WITHOUT PERMISSION

DRAWN BY
U.F

CHECKED BY
A.P



SCALE
1.5:1

MATERIAL
-

MASS
0.080 kg

FINISH
Z/C PASSIVATE

Date
04/01/2017

ALL DIMS IN MM UNLESS STATED DO NOT SCALE

A3



L/DUTY SPRING BOLT - 77.1 O/A

0853-011

Edition 1

Sheet 1 / 1