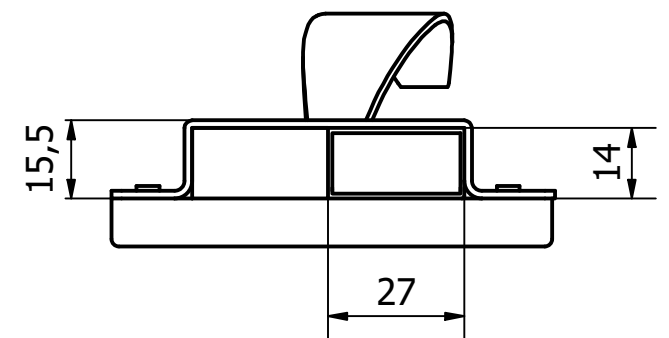
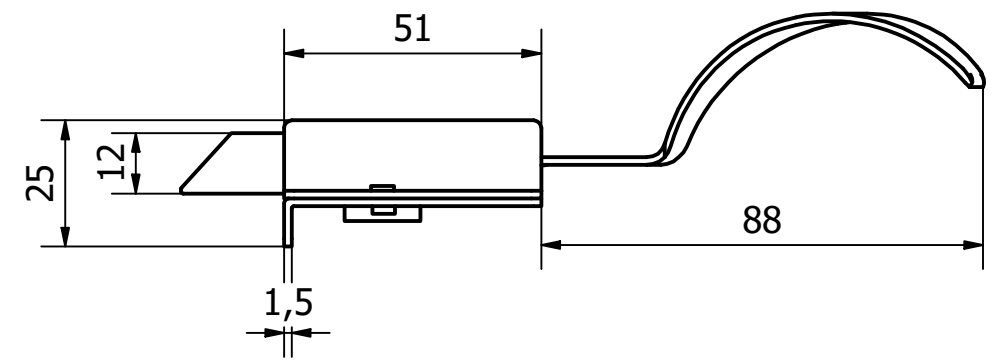
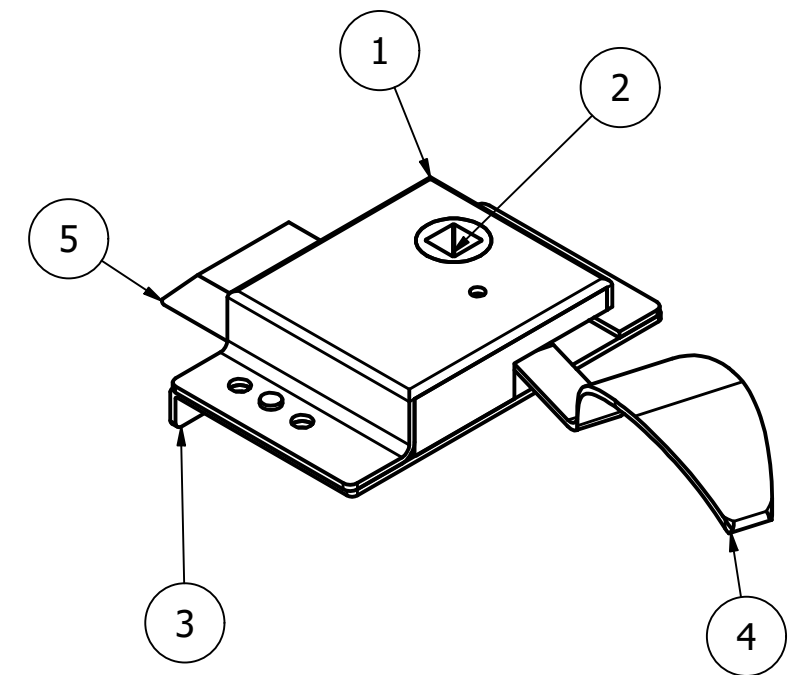
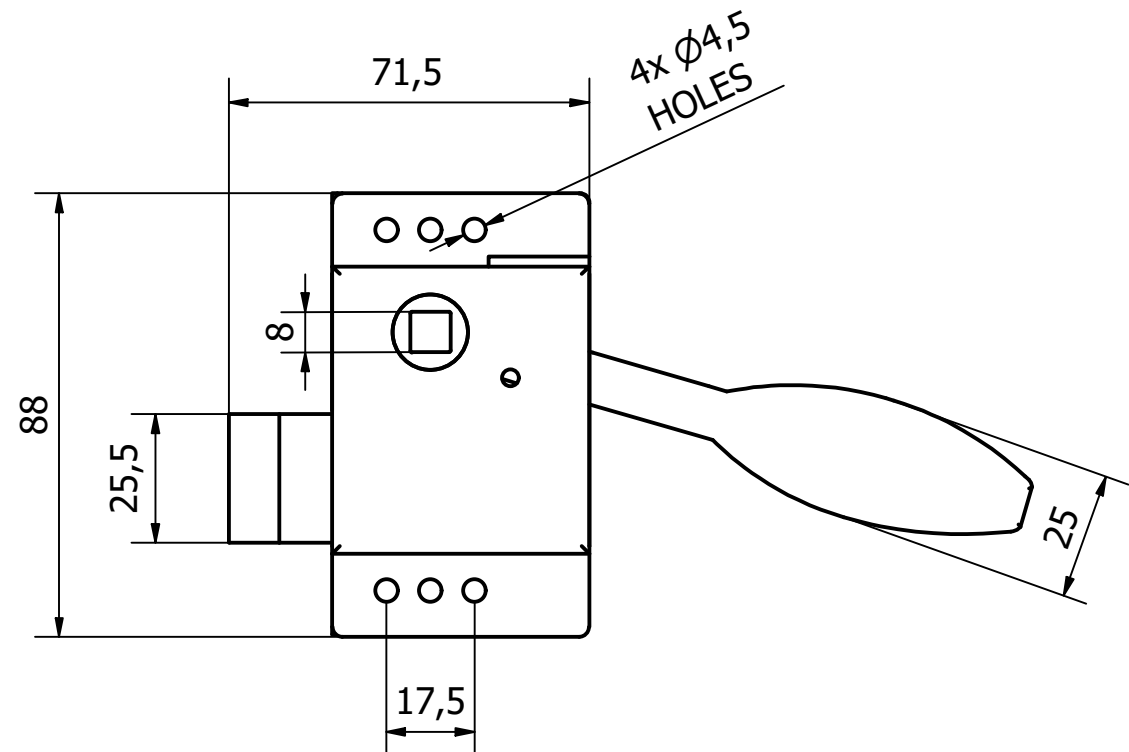


PARTS LIST				
ITEM	QTY	PART NUMBER	DESCRIPTION	
1	1	0891-001-2	M/STEEL-SLAM LOCK BODY-Z/C PASSIVATE	
2	1	0891-001-3	M/STEEL LOCK BARREL - Z/C PASSIVATE	
3	1	0891-001-1	M/STEEL -BASE PLATE - Z/C PASSIVATE	
4	1	0891-001-4	M/STEEL-SLAM LOCK HANDLE- Z/C PASSIVATE	
5	1	0891-001-5	IRON-SLAM LOCK TONGUE-NATURAL	



1	VALIDATION COMPLETE	02/12/21	C.H
REV	DESCRIPTION	DATE	APPROVED

GENERAL TOLERANCES ON LENGTHS
0.5 - 6 ± 0.1mm
6 - 30 ± 0.2mm
30 - 120 ± 0.3mm
120 - 400 ± 0.5mm
400 - 1000 ± 0.8mm
1000 - 2000 ± 1.2mm
2000 - 4000 ± 2.0mm

ALBERT JAGGER LTD
 GREEN LANE
 WALSALL PHONE: 01922 471000
 WEST MIDLANDS FAX: 01922 648021
 WS2 8HG

THIS DRAWING & THE DESIGN SHOWN ARE THE PROPERTY OF ALBERT JAGGER LTD AND MUST NOT BE USED OR COPIED BY A THIRD PARTY WITHOUT PERMISSION

DRAWN BY S.R
 CHECKED BY C.H
 SCALE 1 : 1.5
 MATERIAL SEE TABLE
 MASS 0.232 kg
 FINISH SEE TABLE
 Date 29/11/2021
 ALL DIMS IN MM UNLESS STATED DO NOT SCALE



SLAM LOCK - WITH HANDLE
 0891-001
 Edition 1
 Sheet 1 / 1