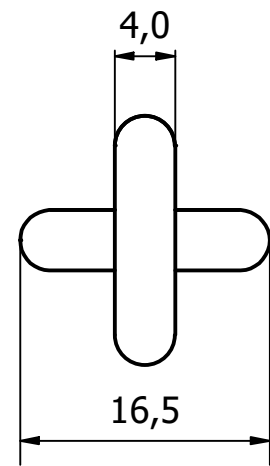
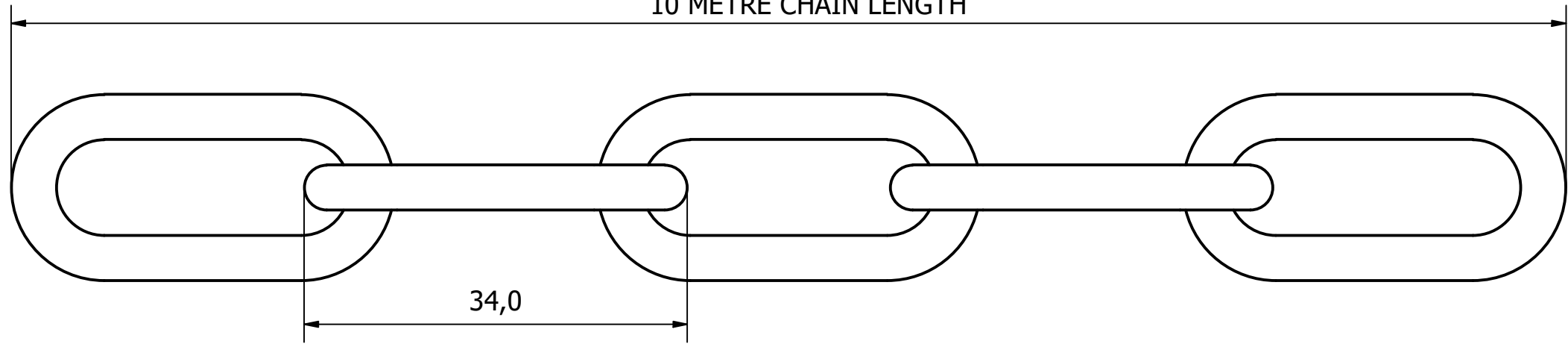


10 METRE CHAIN LENGTH



NOTE:
SAFE WORKING LOAD - 120kg *
(* UNCERTIFIED TEST LOAD)

GENERAL TOLERANCES ON LENGTHS	
0.5 - 6 ± 0.1mm	
6 - 30 ± 0.2mm	
30 - 120 ± 0.3mm	
120 - 400 ± 0.5mm	
400 - 1000 ± 0.8mm	
1000 - 2000 ± 1.2mm	
2000 - 4000 ± 2.0mm	

ALBERT JAGGER LTD
GREEN LANE
WALSALL PHONE: 01922 471000
WEST MIDLANDS FAX: 01922 648021
WS2 8HG

THIS DRAWING & THE DESIGN SHOWN ARE THE PROPERTY OF ALBERT JAGGER LTD AND MUST NOT BE USED OR COPIED BY A THIRD PARTY WITHOUT PERMISSION

DRAWN BY
A.S

CHECKED BY
A.P



SCALE
2 : 1

MATERIAL
M/STEEL

MASS
0.037 kg

FINISH
ZINC

Date
26/04/2019

ALL DIMS IN MM UNLESS STATED DO NOT SCALE

A3

2	NOTE MODIFIED	26/01/21	U.F
1	VALIDATION COMPLETE	12/07/19	A.P
REV	DESCRIPTION	DATE	APPROVED
ZINC PLATED STRAIGHT LINK CHAIN			
0899-1426		Edition 2	Sheet 1 / 1