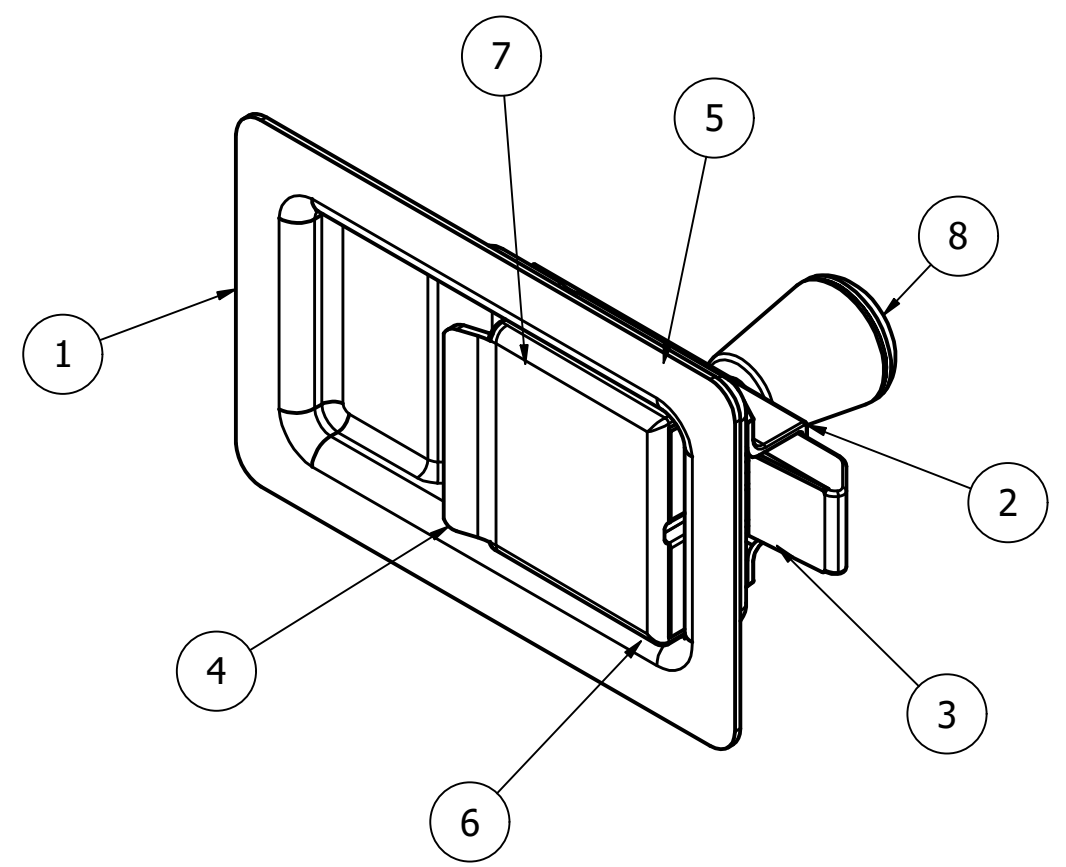
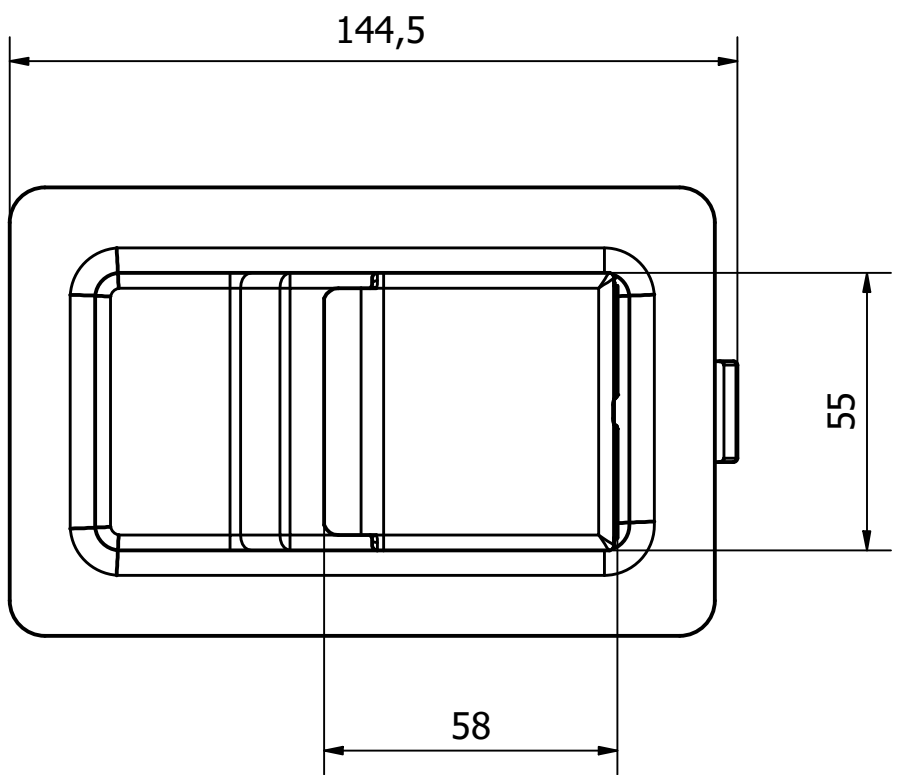
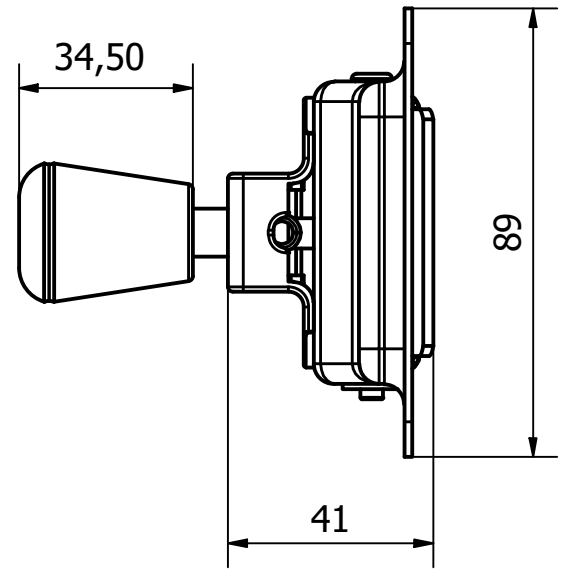
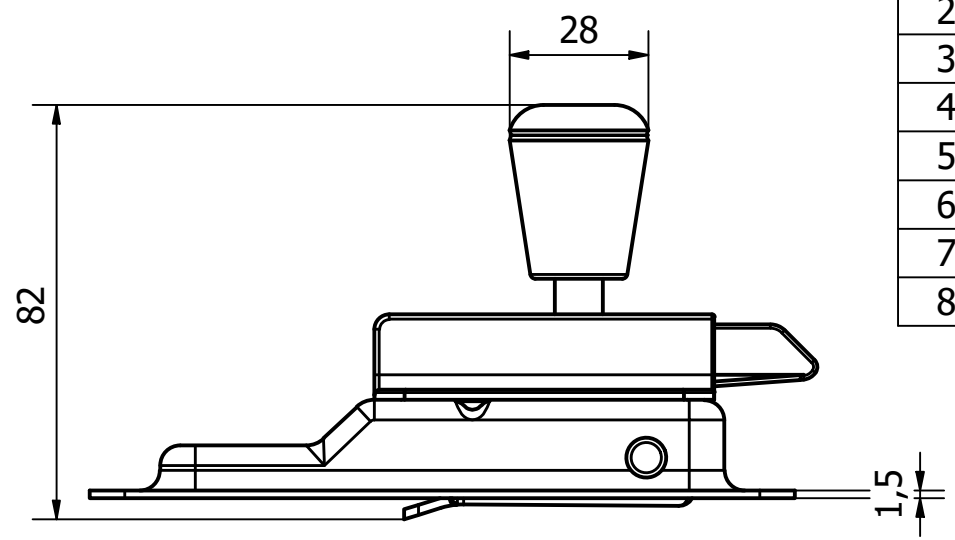


6 5 4 3 2 1

PARTS LIST

ITEM	QTY	PART NUMBER	DESCRIPTION
1	1	0907-003-1	M/STEEL-ZINC PLATED PRESSED PAN- Z/C PASSIVATE
2	1	0907-003-2	M/STEEL- ZINC PLATED PRESSED TONGE HOLDER-Z/C PASSIVATE
3	1	0907-003-4	M/STEEL-ZINC PLATED PRESSED TONGE-Z/C PASSIVATE
4	1	0907-003-5	M/STEEL-ZINC PLATED PRESSED PADDLE-Z/C PASSIVATE
5	1	0907-005-4	M/STEEL- ZINC PLATED RIVIT- Z/C PASSIVTE
6	1	0907-005-6	M/STEEL- RIVIT LOCK
7	1	0907-005-7	STEEL-SPRING
8	1	0907-003-3	PLASTIC -BLACK HANDLE



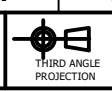
1	VALIDATION COMPLETE	23/07/2021	C.H
REV	DESCRIPTION	DATE	APPROVED

GENERAL TOLERANCES ON LENGTHS  
 0.5 - 6 ± 0.1mm  
 6 - 30 ± 0.2mm  
 30 - 120 ± 0.3mm  
 120 - 400 ± 0.5mm  
 400 - 1000 ± 0.8mm  
 1000 - 2000 ± 1.2mm  
 2000 - 4000 ± 2.0mm

ALBERT JAGGER LTD  
 GREEN LANE  
 WALSALL PHONE: 01922 471000  
 WEST MIDLANDS FAX: 01922 648021  
 WS2 8HG  
 THIS DRAWING & THE DESIGN SHOWN ARE THE PROPERTY OF ALBERT JAGGER LTD AND MUST NOT BE USED OR COPIED BY A THIRD PARTY WITHOUT PERMISSION

DRAWN BY  
S.R

CHECKED BY  
C.H



SCALE  
1:2

MATERIAL  
SEE TABLE

MASS  
N/A

FINISH  
SEE TABLE

Date  
22/07/2021

ALL DIMS IN MM UNLESS STATED DO NOT SCALE

A3



PADDLE LOCK - SMALL 0907 SERIES-ZINC/ZINC/PRESSED TONGUE

0907-003

Edition  
1

Sheet  
1 / 1

6 5 4 3 2 1