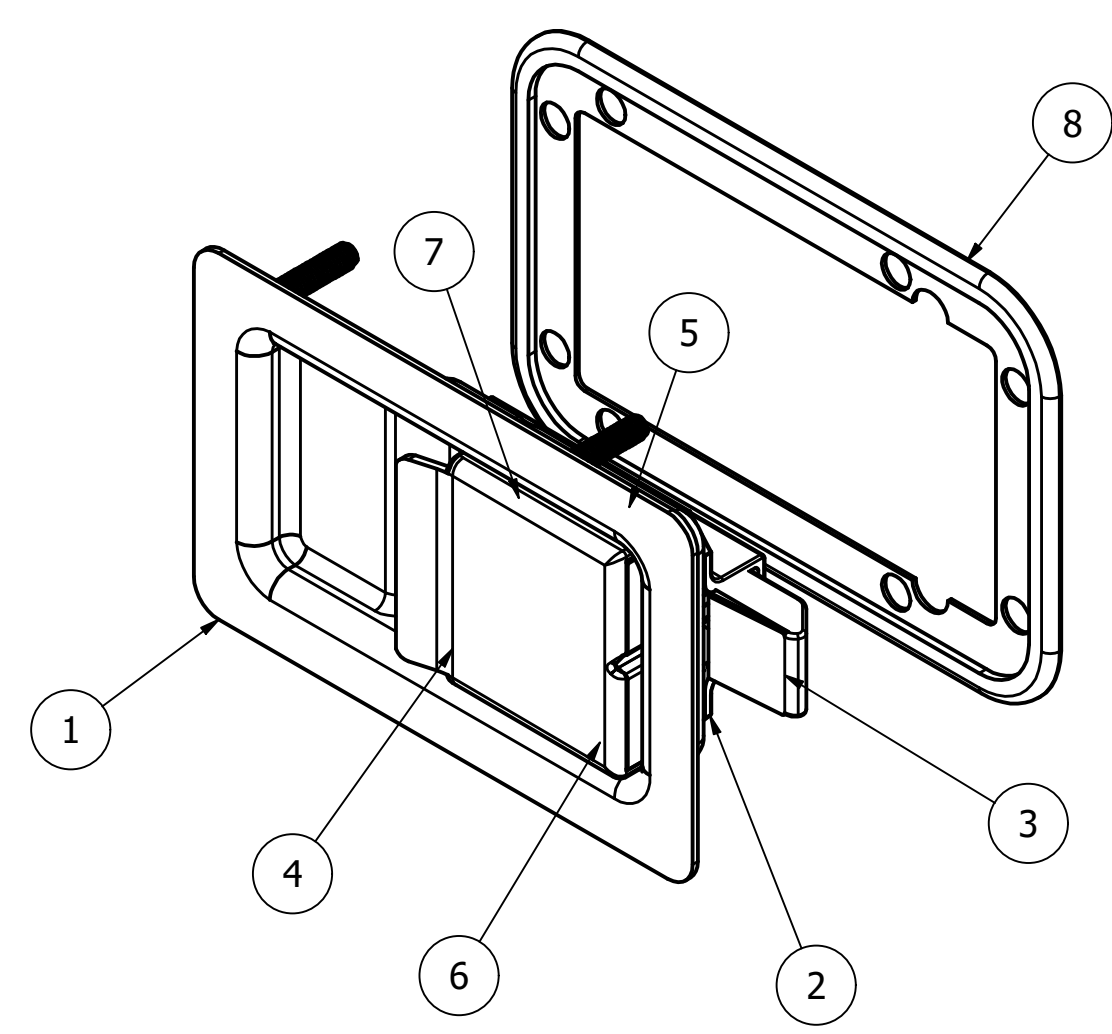


PARTS LIST			
ITEM	QTY	PART NUMBER	DESCRIPTION
1	1	0907-005-1	M/STEEL- ZINC PLATED PRESSED PAN - Z/C PASSIVATE
2	1	0907-005-2	M/STEEL- ZINC PLATED TONGUE HOLDER- Z/C PASSIVATE
3	1	0907-005-5	M/STEEL - ZINC PLATED PRESSED TONGUE-Z/C PASSIVATE
4	1	0907-005-3	M/STEEL - ZINC PLATED PRESSED PADDLE- Z/C PASSIVATE
5	1	0907-005-4	M/STEEL - RIVIT- Z/C PASSIVATE
6	1	0907-005-6	M/STEEL - RIVIT BOLT - Z/C PASSIVATE
7	1	0907-005-7	STEEL- SPRING
8	1	0907-001-4	BLACK PLASTIC GASKET



1	VALIDATION COMPLETE	23/07/2021	C.H
REV	DESCRIPTION	DATE	APPROVED

<b>GENERAL TOLERANCES ON LENGTHS</b> 0.5 - 6 ± 0.1mm 6 - 30 ± 0.2mm 30 - 120 ± 0.3mm 120 - 400 ± 0.5mm 400 - 1000 ± 0.8mm 1000 - 2000 ± 1.2mm 2000 - 4000 ± 2.0mm	<b>ALBERT JAGGER LTD</b> GREEN LANE WALSALL WEST MIDLANDS WS2 8HG PHONE: 01922 471000 FAX: 01922 648021  THIS DRAWING & THE DESIGN SHOWN ARE THE PROPERTY OF ALBERT JAGGER LTD AND MUST NOT BE USED OR COPIED BY A THIRD PARTY WITHOUT PERMISSION	DRAWN BY S.R	CHECKED BY C.H	SCALE 1:2	MATERIAL SEE TABLE	MASS 0.431 kg	FINISH SEE TABLE	Date 21/07/2021	ALL DIMS IN MM UNLESS STATED DO NOT SCALE	A3
				PADDLE LOCK-SMALL-ZINC/ZINC/PRESSED TONGUE		0907/005	Edition 1	Sheet 1 / 1		