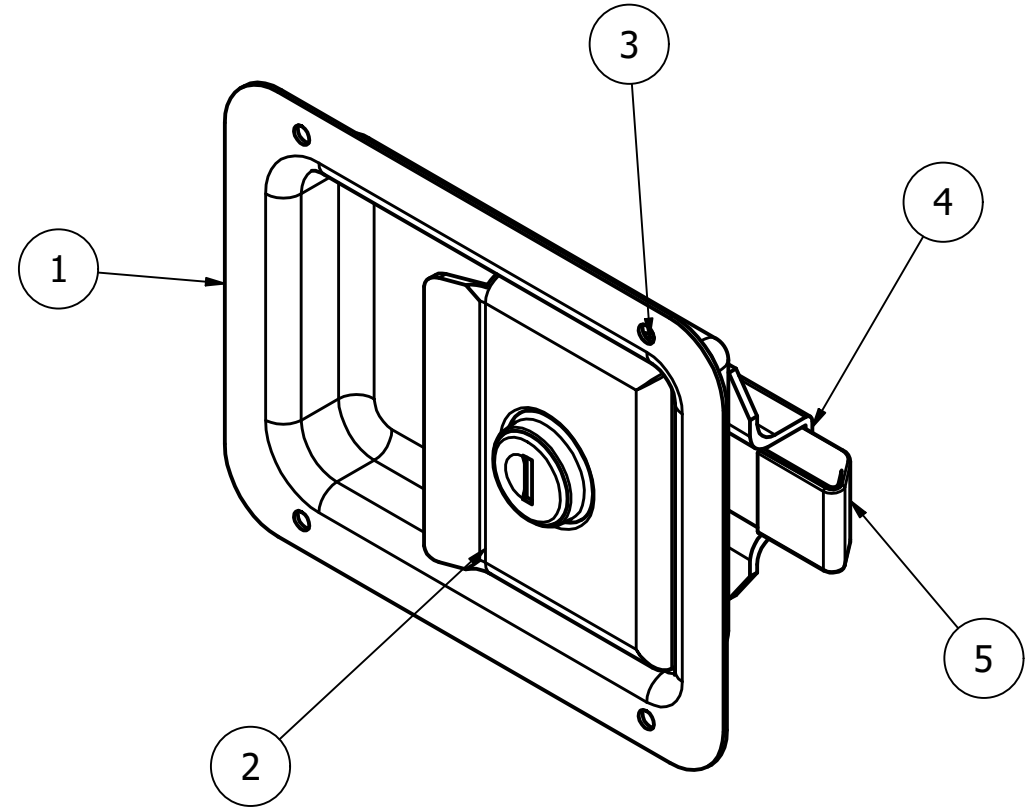
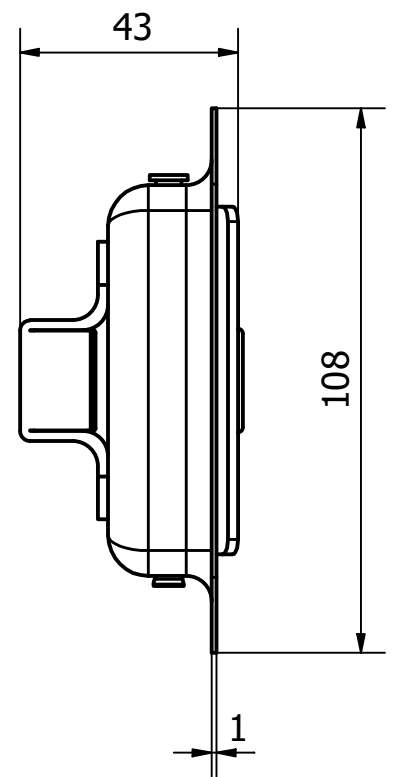
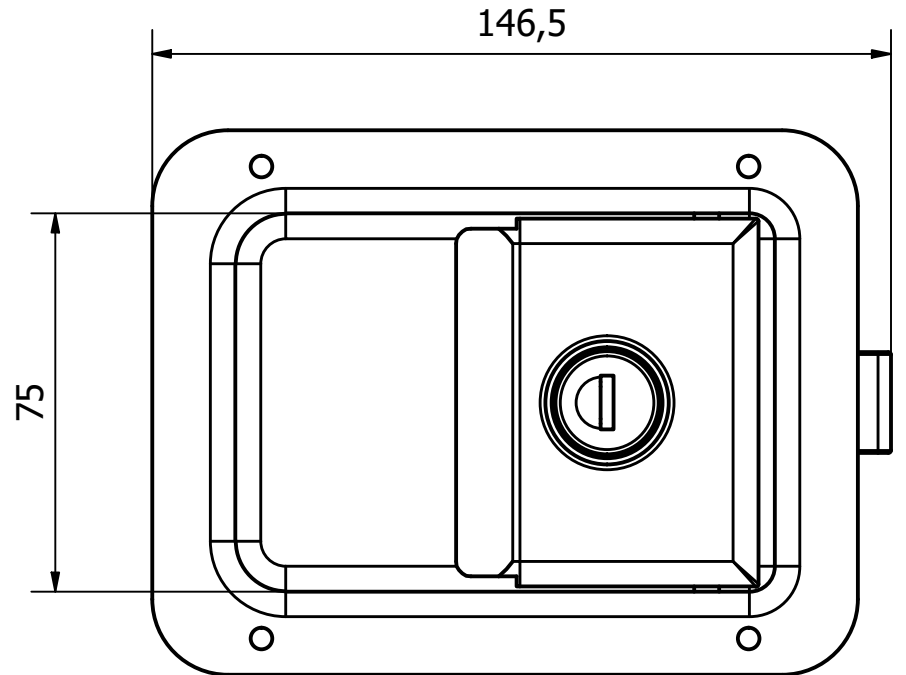
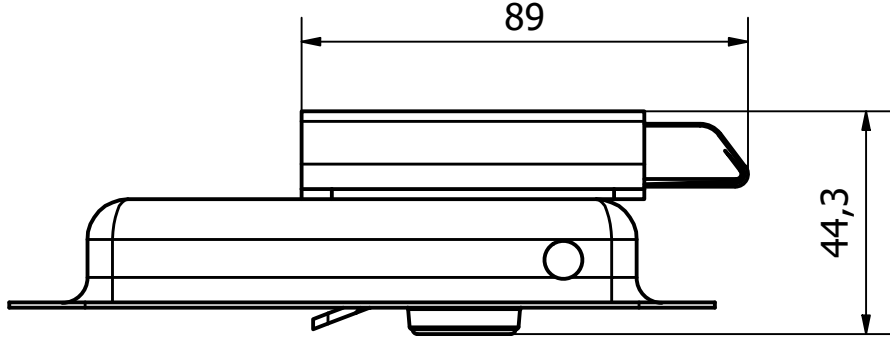


PARTS LIST			
ITEM	QTY	PART NUMBER	DESCRIPTION
1	1	0910-410-1	S/STEEL- PRESSED PAN
2	1	0910-410-2	S/STEEL-PRESSED PADDLE HANDLE WITH LOCK
3	1	0910-410-4	S/STEEL- RIVIT AND PIN
4	1	0910-410-3	S/STEEL- PRESSED TONGUE HOLDER
5	1	0910-410-5	S/STEEL TONGUE



1	VALIDATION COMPLETE	01/10/21	C.H
REV	DESCRIPTION	DATE	APPROVED

GENERAL TOLERANCES ON LENGTHS
0.5 - 6 ± 0.1mm
6 - 30 ± 0.2mm
30 - 120 ± 0.3mm
120 - 400 ± 0.5mm
400 - 1000 ± 0.8mm
1000 - 2000 ± 1.2mm
2000 - 4000 ± 2.0mm

ALBERT JAGGER LTD  
 GREEN LANE  
 WALSALL PHONE: 01922 471000  
 WEST MIDLANDS FAX: 01922 648021  
 WS2 8HG

THIS DRAWING & THE DESIGN SHOWN ARE THE PROPERTY OF ALBERT JAGGER LTD AND MUST NOT BE USED OR COPIED BY A THIRD PARTY WITHOUT PERMISSION

DRAWN BY	CHECKED BY	THIRD ANGLE PROJECTION
S.R	C.H	



SCALE	MATERIAL	MASS	FINISH	Date	ALL DIMS IN MM UNLESS STATED DO NOT SCALE	A3
1:2	304 S/STEEL	0.435 kg	SEE TABLE	30/09/2021		
PADDLE LOCK - DEEP MIDI 0910 SERIES					Edition	Sheet
0910-410					1	1 / 1