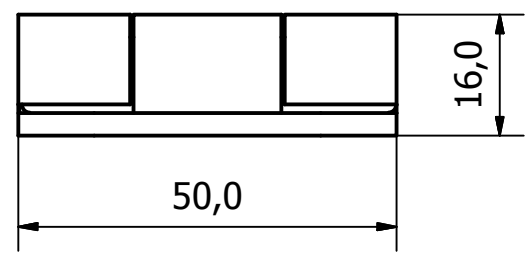
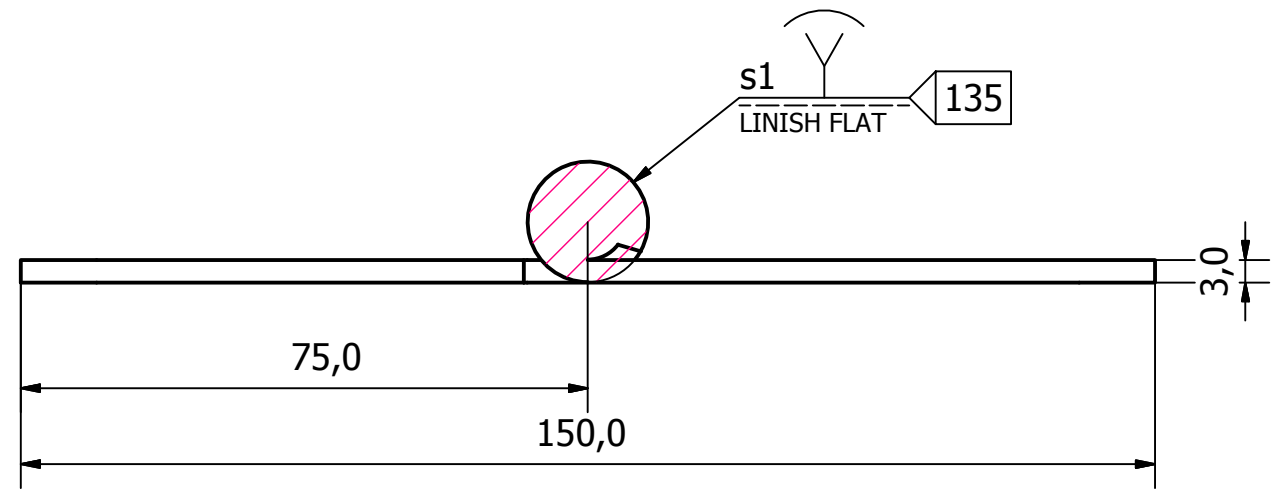
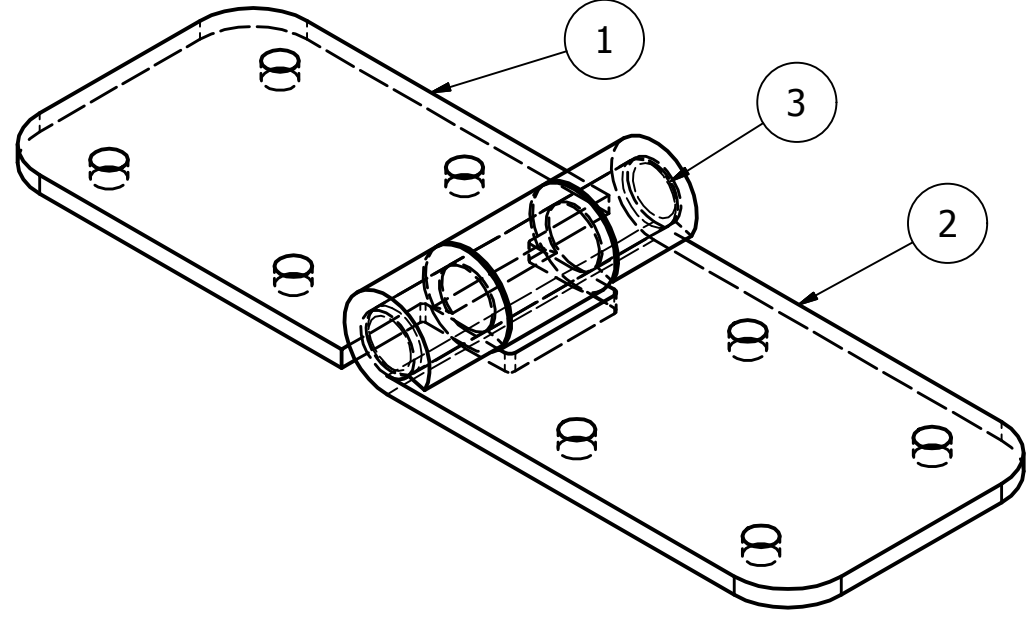
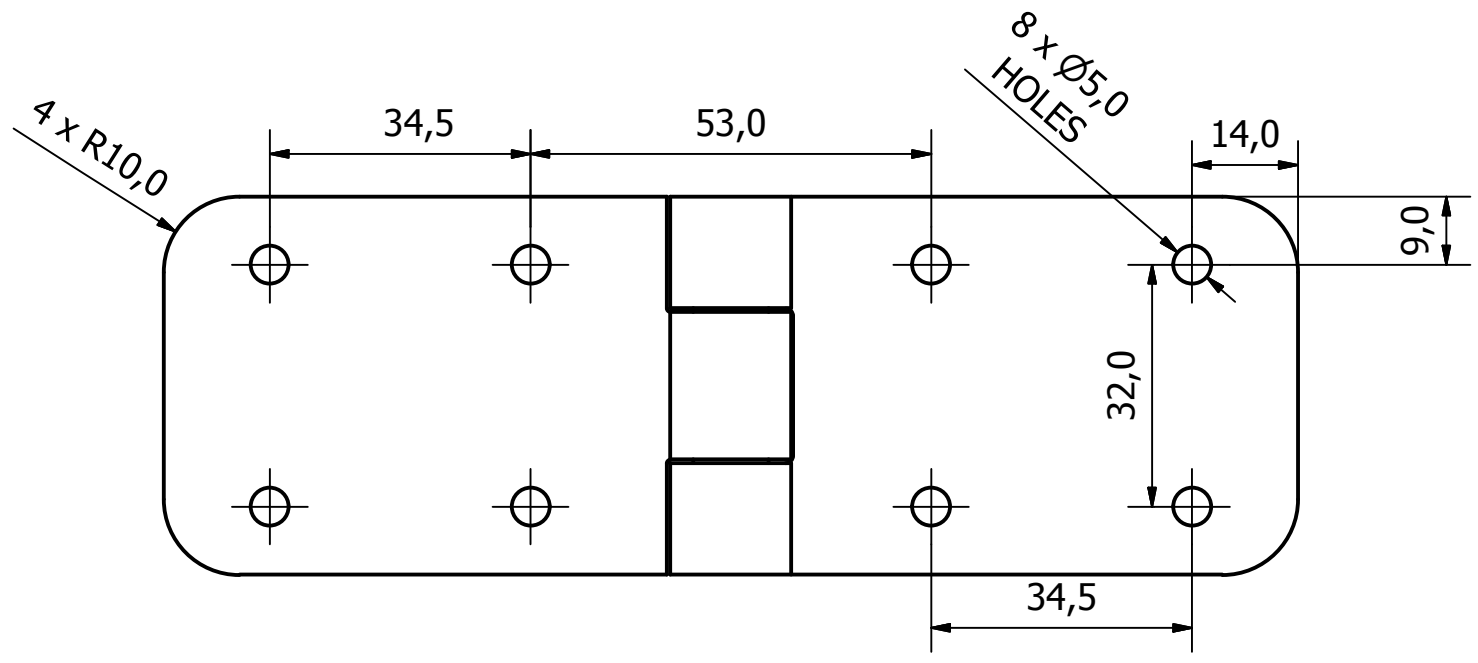


PARTS LIST			
ITEM	QTY	PART NUMBER	DESCRIPTION
1	1	0948-020-1	HINGE BASE PLATE - M/STEEL
2	1	0948-020-2	HINGE MOUNTING PLATE - M/STEEL
3	1	0948-019-3	HINGE PIN - 49.5 O/A



1	VALIDATION COMPLETE	12/10/16	A.P
REV	DESCRIPTION	DATE	APPROVED

GENERAL TOLERANCES ON LENGTHS
0.5 - 6 ± 0.1mm
6 - 30 ± 0.2mm
30 - 120 ± 0.3mm
120 - 400 ± 0.5mm
400 - 1000 ± 0.8mm
1000 - 1200 ± 1.2mm
2000 - 4000 ± 2.0mm

ALBERT JAGGER LTD
 GREEN LANE
 WALSALL PHONE: 01922 471000
 WEST MIDLANDS FAX: 01922 648021
 WS2 8HG

THIS DRAWING & THE DESIGN SHOWN ARE THE PROPERTY OF ALBERT JAGGER LTD AND MUST NOT BE USED OR COPIED BY A THIRD PARTY WITHOUT PERMISSION

DRAWN BY	CHECKED BY	THIRD ANGLE PROJECTION
U.F	A.P	

SCALE	MATERIAL	MASS	FINISH
1 : 1	-	0.231 kg	Z/C PASSIVATE

Date	ALL DIMS IN MM UNLESS STATED DO NOT SCALE
05/10/2016	

Sheet	A3
1 / 1	



M/S DOOR HINGE - 8 x 5mm HOLES	
0948-020	