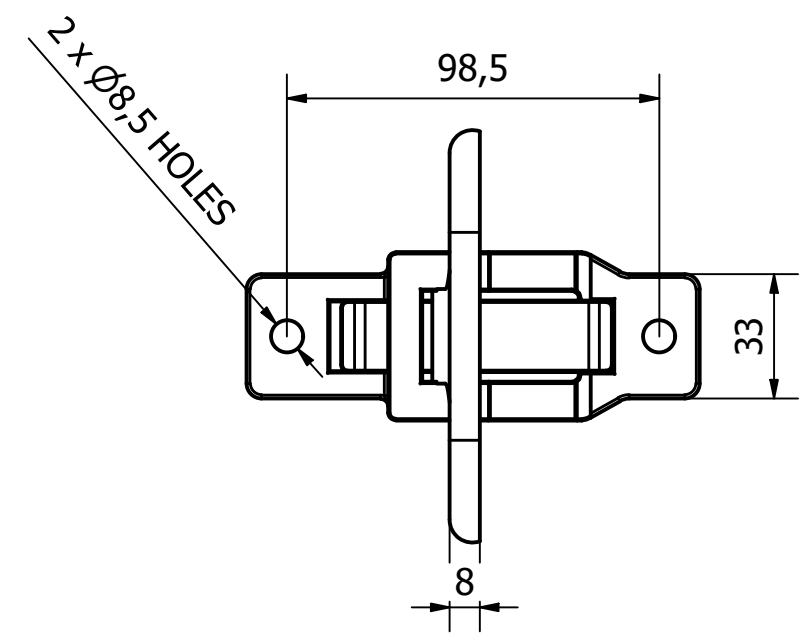


6 1 5 1 4 3 1 2 1 1

PARTS LIST

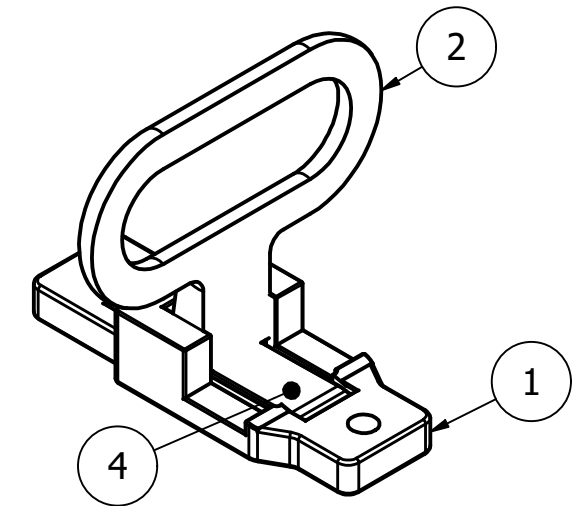
ITEM	QTY	PART NUMBER	DESCRIPTION
1	1	0979-009-1	CAST STEEL STEP BODY - ZINC PLATED WITH JS500 TOP COAT
2	1	0979-009-2	CAST STEEL STEP PLATE - ZINC PLATED WITH JS500 TOP COAT
3	1	0979-009-4	CAST STEEL RETAINING PIN - ZINC PLATED
4	1	0979-009-3	S/S SPRING PLATE - NATURAL

D



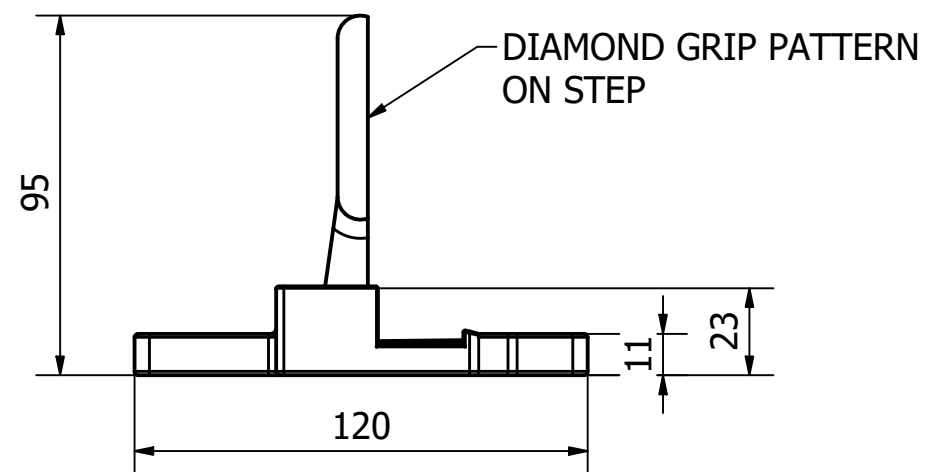
D

C

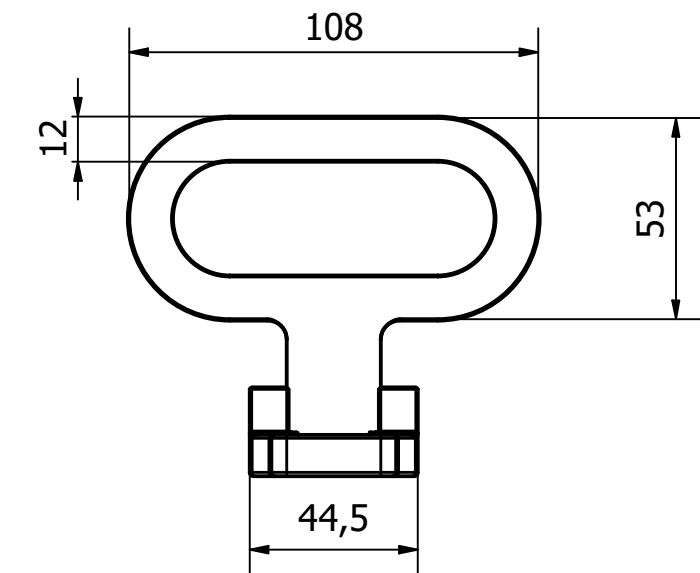


C

B



B



A

A

A

A

1	VALIDATION COMPLETE	05/03/2020	A.P
REV	DESCRIPTION	DATE	APPROVED

GENERAL TOLERANCES ON LENGTHS

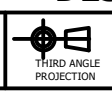
0.5 - 6 ± 0.1mm
6 - 30 ± 0.2mm
30 - 120 ± 0.3mm
120 - 400 ± 0.5mm
400 - 1000 ± 0.8mm
1000 - 2000 ± 1.2mm
2000 - 4000 ± 2.0mm

ALBERT JAGGER LTD  
 GREEN LANE  
 WALSALL PHONE: 01922 471000  
 WEST MIDLANDS FAX: 01922 648021  
 WS2 8HG

THIS DRAWING & THE DESIGN SHOWN ARE THE PROPERTY OF ALBERT JAGGER LTD AND MUST NOT BE USED OR COPIED BY A THIRD PARTY WITHOUT PERMISSION

DRAWN BY  
K.M

CHECKED BY  
A.P



SCALE  
1 : 2

MATERIAL  
SEE TABLE

MASS  
0.557 kg

FINISH  
SEE TABLE

Date  
27/02/2020

ALL DIMS IN MM UNLESS STATED DO NOT SCALE

A3



CAST STEEL FOLDING STEP	
0979-009	Edition 1 / Sheet 1 / 1

6 1 5 1 4 3 1 2 1 1