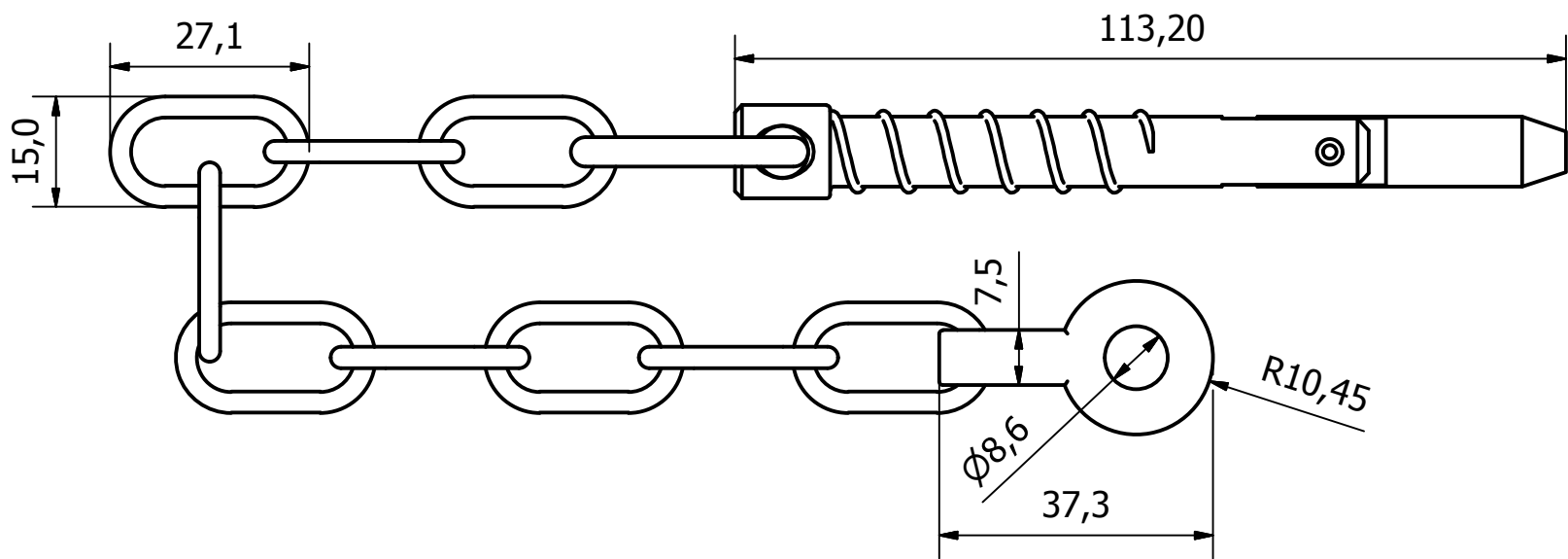
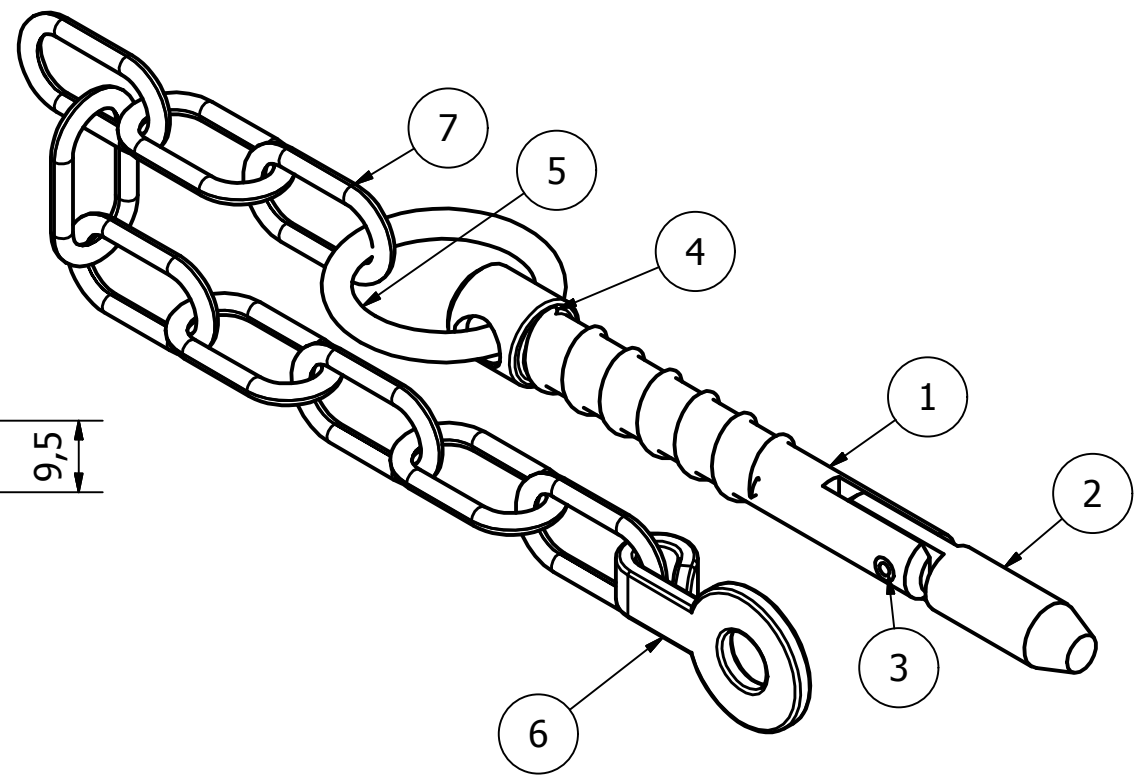
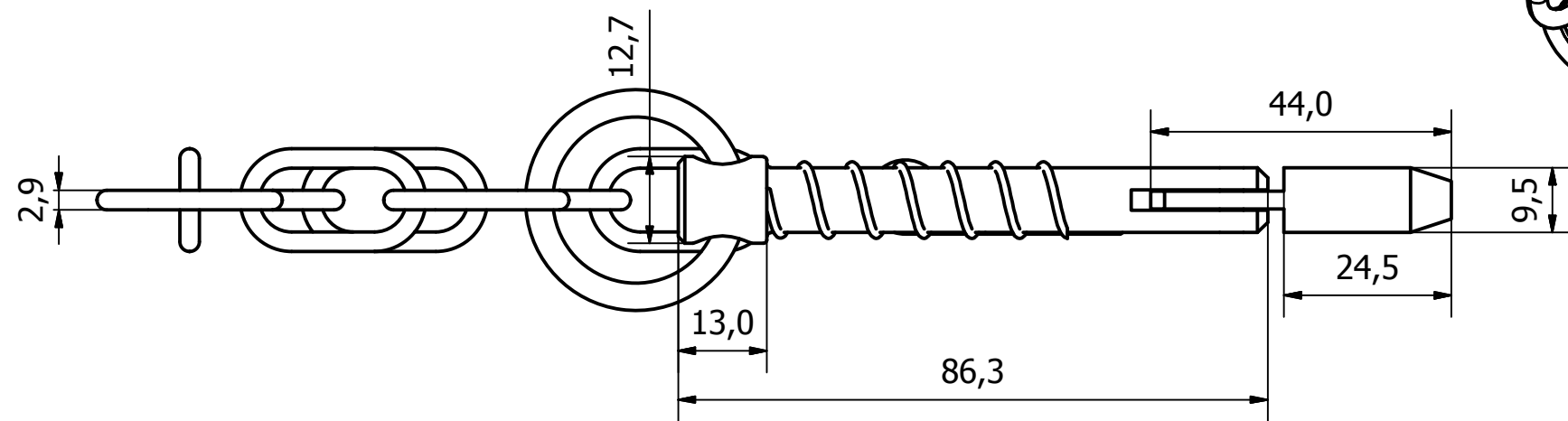


PARTS LIST			
ITEM	QTY	PART NUMBER	DESCRIPTION
1	1	1055-2054-1	M/STEEL PIN BODY - ZINC AND CLEAR PASSIVATED
2	1	1055-2054-2	S/STEEL TIP - NATURAL
3	1	1055-2054-3	M/STEEL TIP RETAINING PIN - ZINC AND CLEAR PASSIVATED
4	1	1055-2054-4	M/STEEL COIL SPRING - ZINC AND CLEAR PASSIVATED
5	1	1055-2054-5	M/STEEL CHAIN RING - ZINC AND CLEAR PASSIVATED
6	1	1055-3080-7	M/STEEL DARLASTON WASHER - ZINC AND CLEAR PASSIVATED
7	9	1055-2054-6	M/STEEL CHAIN LINK - ZINC AND CLEAR PASSIVATED



1	VALIDATION COMPLETE	14/08/17	A.P
REV	DESCRIPTION	DATE	APPROVED
U.F	A.P	21/07/2017	ALL DIMS IN MM UNLESS STATED DO NOT SCALE

GENERAL TOLERANCES ON LENGTHS
0.5 - 6 ± 0.1mm
6 - 30 ± 0.2mm
30 - 120 ± 0.3mm
120 - 400 ± 0.5mm
400 - 1000 ± 0.8mm
1000 - 2000 ± 1.2mm
2000 - 4000 ± 2.0mm

ALBERT JAGGER LTD
 GREEN LANE
 WALSALL PHONE: 01922 471000
 WEST MIDLANDS FAX: 01922 648021
 WS2 8HG

THIS DRAWING & THE DESIGN SHOWN ARE THE PROPERTY OF ALBERT JAGGER LTD AND MUST NOT BE USED OR COPIED BY A THIRD PARTY WITHOUT PERMISSION

DRAWN BY U.F
 CHECKED BY A.P

SCALE 1 : 1
 MATERIAL SEE TABLE
 MASS 0.111 kg
 FINISH SEE TABLE

M/STEEL SWORD PIN - 133.2 O/A	
1055-2054	1 / 1