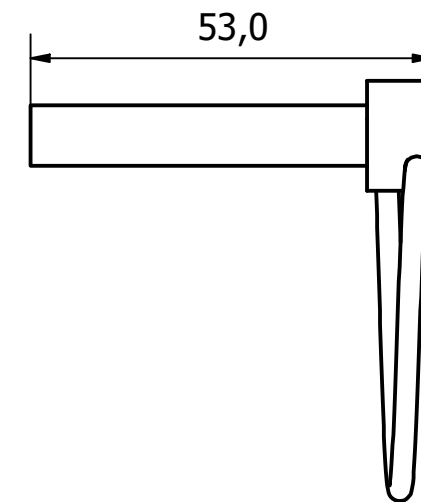
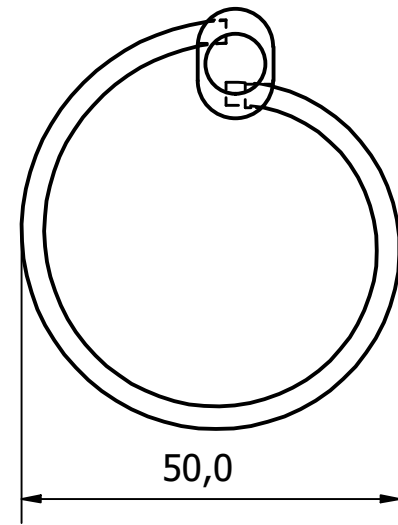
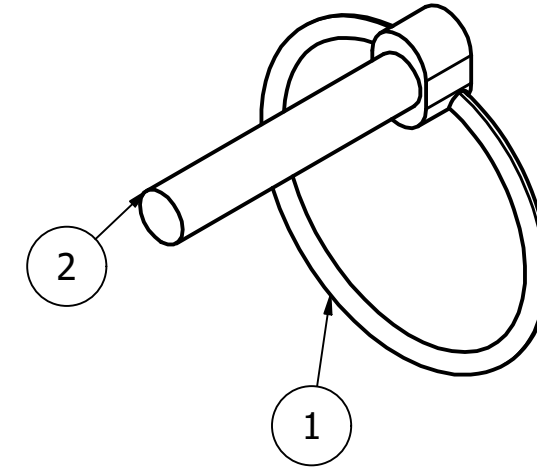
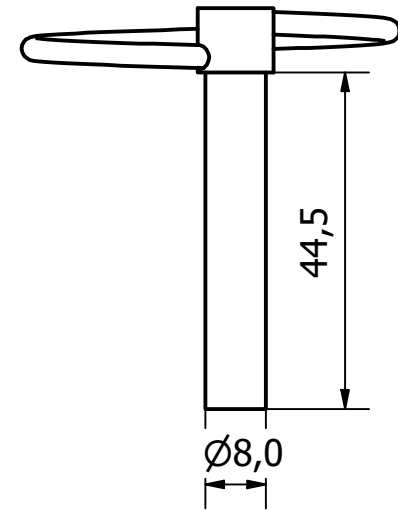


PARTS LIST			
ITEM	QTY	PART NUMBER	DESCRIPTION
1	1	1056-002-1	M/STEEL SPRING RING - ZINC PLATED/YELLOW PASSIVATED
2	1	1056-002-2	M/STEEL PIN - ZINC PLATED/YELLOW PASSIVATED



REV	DESCRIPTION	DATE	APPROVED
1	VALIDATION COMPLETE	25/11/2020	A.P

GENERAL TOLERANCES ON LENGTHS
0.5 - 6 ± 0.1mm
6 - 30 ± 0.2mm
30 - 120 ± 0.3mm
120 - 400 ± 0.5mm
400 - 1000 ± 0.8mm
1000 - 2000 ± 1.2mm
2000 - 4000 ± 2.0mm

ALBERT JAGGER LTD
 GREEN LANE
 WALSALL PHONE: 01922 471000
 WEST MIDLANDS FAX: 01922 648021
 WS2 8HG

THIS DRAWING & THE DESIGN SHOWN ARE THE PROPERTY OF ALBERT JAGGER LTD AND MUST NOT BE USED OR COPIED BY A THIRD PARTY WITHOUT PERMISSION

DRAWN BY
A.S

CHECKED BY
A.P



SCALE
1 : 1

MATERIAL
SEE DRAWING

MASS
0.034 kg

FINISH
SEE DRAWING

Date
15/05/2019

ALL DIMS IN MM UNLESS STATED DO NOT SCALE

A3



LINCH PIN	
1056-002	1 / 1
Edition 1	Sheet 1 / 1