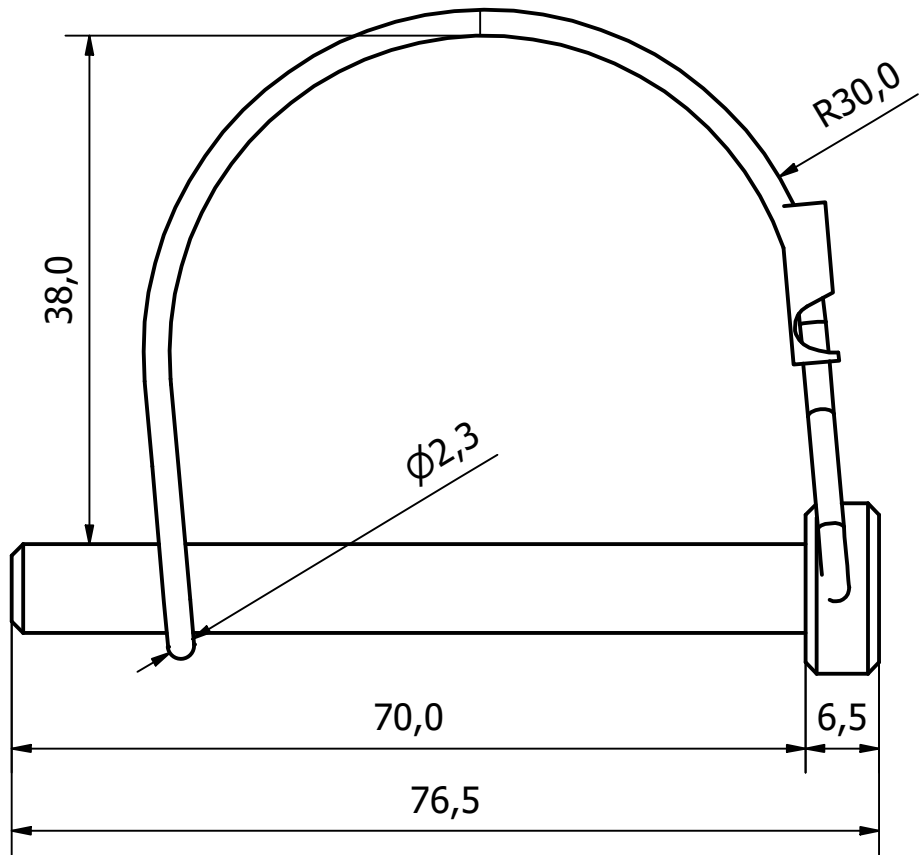
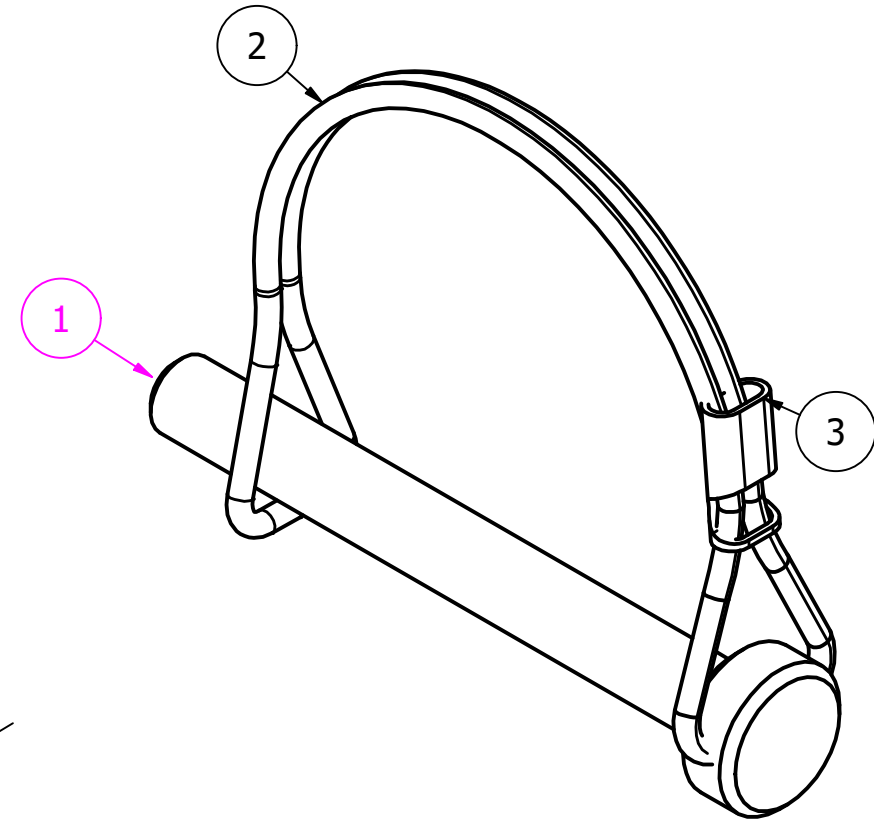


| PARTS LIST | | | |
|------------|-----|-------------|--|
| ITEM | QTY | PART NUMBER | DESCRIPTION |
| 1 | 1 | 1056-808-1 | M/STEEL SHAFT PIN - GOLD PASSIVATED ZINC PLATING |
| 2 | 1 | 1056-808-2 | M/STEEL WIRE LOOP - GOLD PASSIVATED ZINC PLATING |
| 3 | 1 | 1056-808-3 | M/STEEL CLASP - GOLD PASSIVATED ZINC PLATING |



| | | | |
|-----|---------------------|----------|----------|
| 1 | VALIDATION COMPLETE | 05/04/22 | C.H |
| REV | DESCRIPTION | DATE | APPROVED |

| GENERAL TOLERANCES ON LENGTHS |
|-------------------------------|
| 0.5 - 6 ± 0.1mm |
| 6 - 30 ± 0.2mm |
| 30 - 120 ± 0.3mm |
| 120 - 400 ± 0.5mm |
| 400 - 1000 ± 0.8mm |
| 1000 - 2000 ± 1.2mm |
| 2000 - 4000 ± 2.0mm |

ALBERT JAGGER LTD
 GREEN LANE
 WALSALL PHONE: 01922 471000
 WEST MIDLANDS FAX: 01922 648021
 WS2 8HG

THIS DRAWING & THE DESIGN SHOWN
 ARE THE PROPERTY OF ALBERT JAGGER LTD
 AND MUST NOT BE USED OR COPIED BY A
 THIRD PARTY WITHOUT PERMISSION

DRAWN BY
 A.S

CHECKED BY
 A.P



SCALE
 1.5:1

MATERIAL
 SEE TABLE

MASS
 N/A

FINISH
 SEE TABLE

Date
 17/07/2019

ALL DIMS IN MM
 UNLESS STATED
 DO NOT SCALE

A3



| | |
|-------------------|-------------------------|
| SHAFT LOCKING PIN | |
| 1056-808 | Edition 1 / Sheet 1 / 1 |