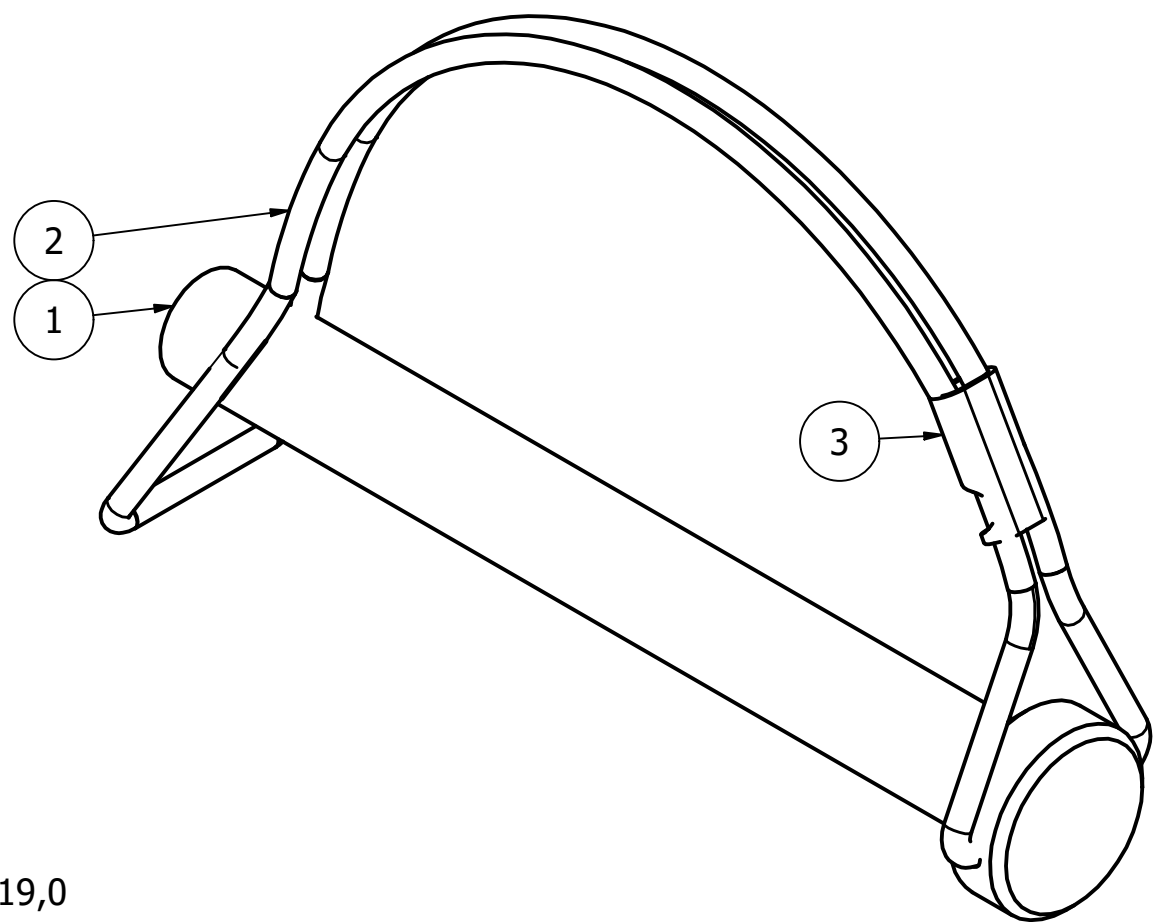
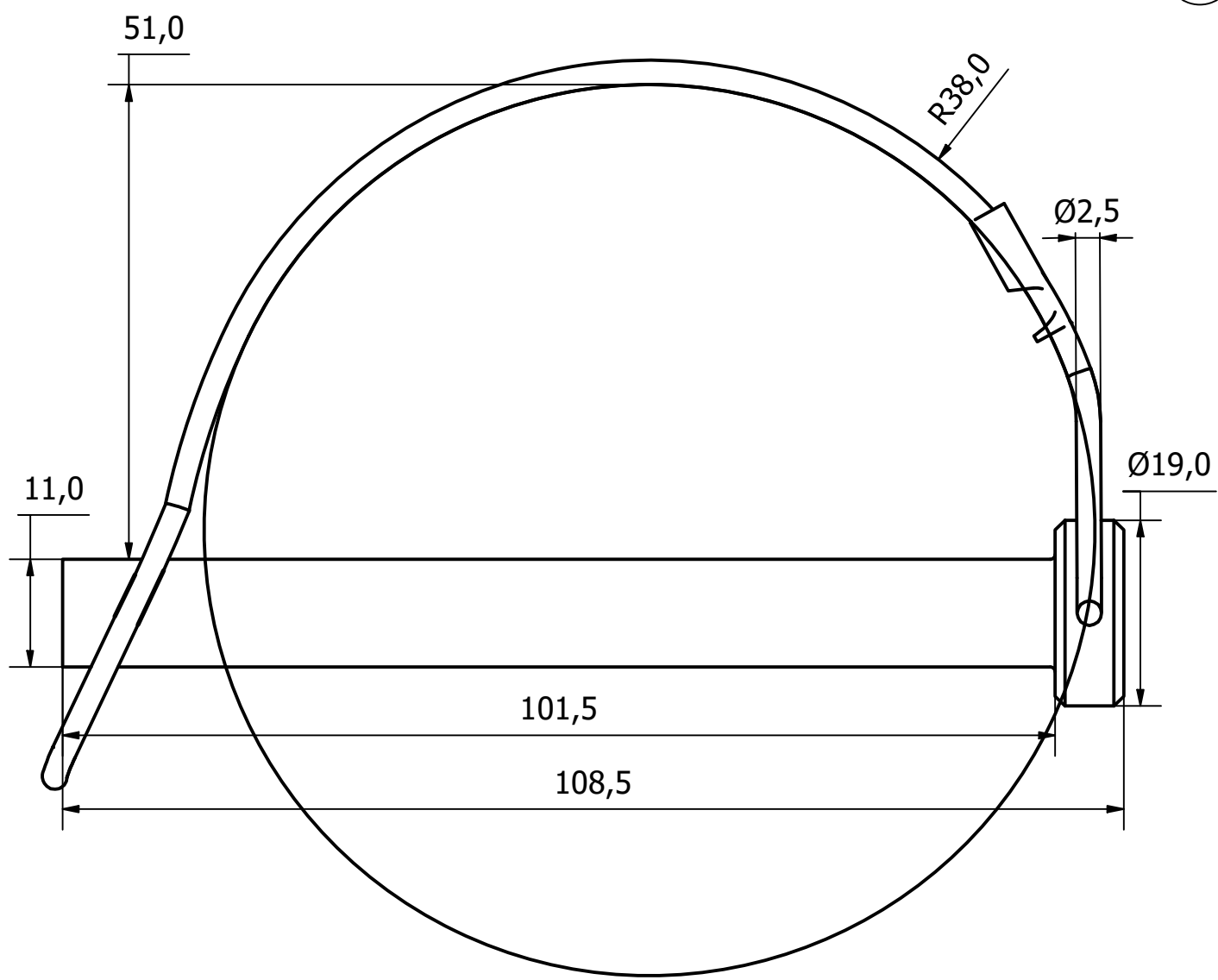


PARTS LIST			
ITEM	QTY	PART NUMBER	DESCRIPTION
1	1	1056-811-1	M/STEEL SHAFT PIN - GOLD PASSIVATED ZINC PLATING
2	1	1056-811-2	M/STEEL LOOP WIRE - GOLD PASSIVATED ZINC PLATING
3	1	1056-811-3	M/STEEL CLASP - GOLD PASSIVATED ZINC PLATING



1	VALIDATION COMPLETE	05/04/22	C.H
REV	DESCRIPTION	DATE	APPROVED

GENERAL TOLERANCES ON LENGTHS
0.5 - 6 ± 0.1mm
6 - 30 ± 0.2mm
30 - 120 ± 0.3mm
120 - 400 ± 0.5mm
400 - 1000 ± 0.8mm
1000 - 2000 ± 1.2mm
2000 - 4000 ± 2.0mm

ALBERT JAGGER LTD
 GREEN LANE
 WALSALL PHONE: 01922 471000
 WEST MIDLANDS FAX: 01922 648021
 WS2 8HG

THIS DRAWING & THE DESIGN SHOWN
 ARE THE PROPERTY OF ALBERT JAGGER LTD
 AND MUST NOT BE USED OR COPIED BY A
 THIRD PARTY WITHOUT PERMISSION

DRAWN BY

A.S

CHECKED BY

A.P



SCALE
1.5:1

MATERIAL
SEE TABLE

MASS
0.107 kg

FINISH
SEE TABLE

Date
07/08/2019

ALL DIMS IN MM
UNLESS STATED
DO NOT SCALE

A3



SHAFT LOCKING PIN	
1056-811	1
1	1 / 1