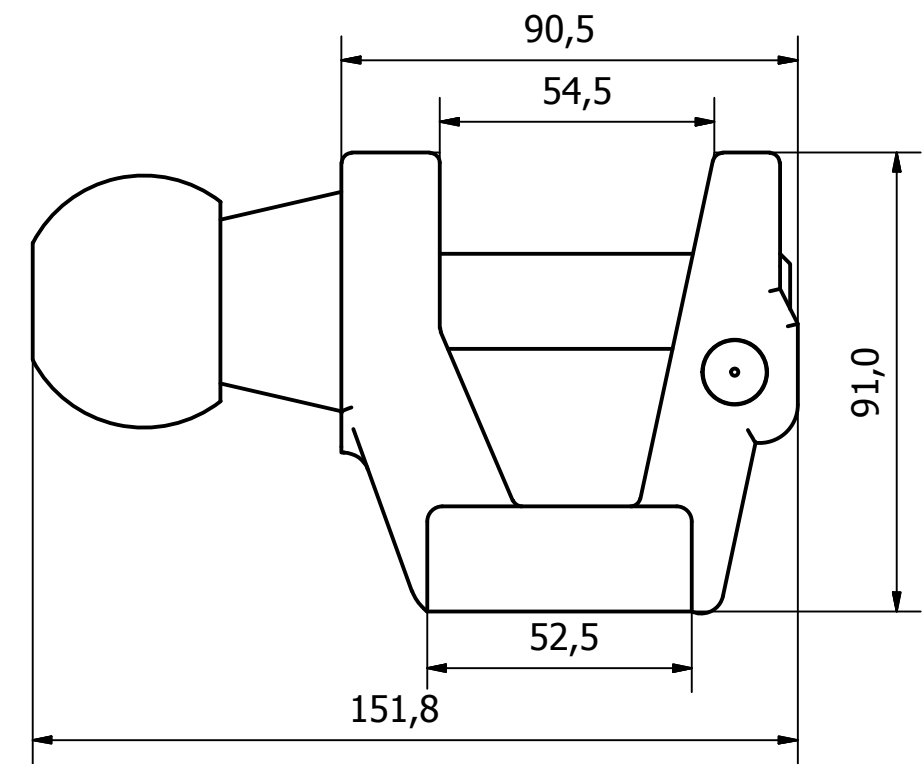
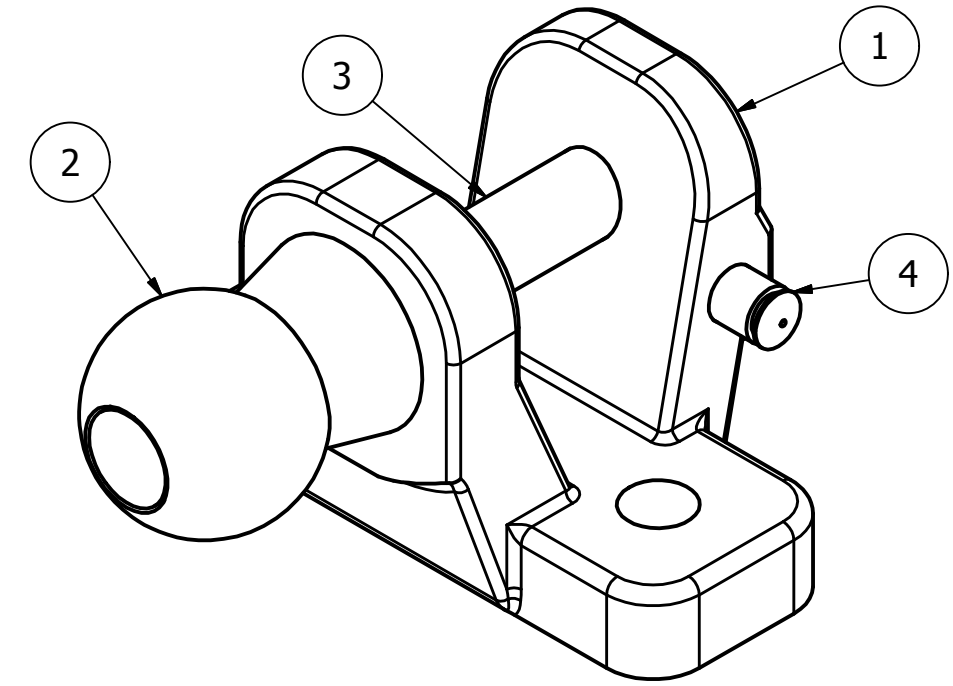


PARTS LIST			
ITEM	QTY	PART NUMBER	DESCRIPTION
1	1	1074-0072-1	M/STEEL TOWING HITCH MAIN BODY
2	1	1074-0072-2	M/STEEL PIN HOUSING
3	1	1074-0072-3	M/STEEL LOCK PIN
4	1	1074-0072-4	M/STEEL SPRING PIN



NOTE:  
BLACK PHOSPHATE FINISH ON HITCH BODY AND HOUSING,  
ZINC-PLATED FINISH ON LOCK AND SPRING PIN

MAX STATIC LOAD:  
7700lb/3500kg ON BALL  
7700lb/3500kg ON PIN  
  
N.B - NOT TO BE USED WITHOUT THE INTEGRA LOCK PIN IN POSITION

GENERAL TOLERANCES ON LENGTHS
0.5 - 6 ± 0.1mm
6 - 30 ± 0.2mm
30 - 120 ± 0.3mm
120 - 400 ± 0.5mm
400 - 1000 ± 0.8mm
1000 - 1200 ± 1.2mm
2000 - 4000 ± 2.0mm

ALBERT JAGGER LTD  
GREEN LANE  
WALSALL PHONE: 01922 471000  
WEST MIDLANDS FAX: 01922 648021  
WS2 8HG  
  
THIS DRAWING & THE DESIGN SHOWN  
ARE THE PROPERTY OF ALBERT JAGGER LTD  
AND MUST NOT BE USED OR COPIED BY A  
THIRD PARTY WITHOUT PERMISSION

1	VALIDATION COMPLETE	11/05/17	A.P
REV	DESCRIPTION	DATE	APPROVED
U.F	A.P	21/02/2017	A3
SCALE	MATERIAL	MASS	FINISH
1:1.5	SEE NOTE	3.371 kg	SEE NOTE
		HEAVY DUTY TOWING HITCH	
1074-0072		Edition	Sheet
		1	1 / 1