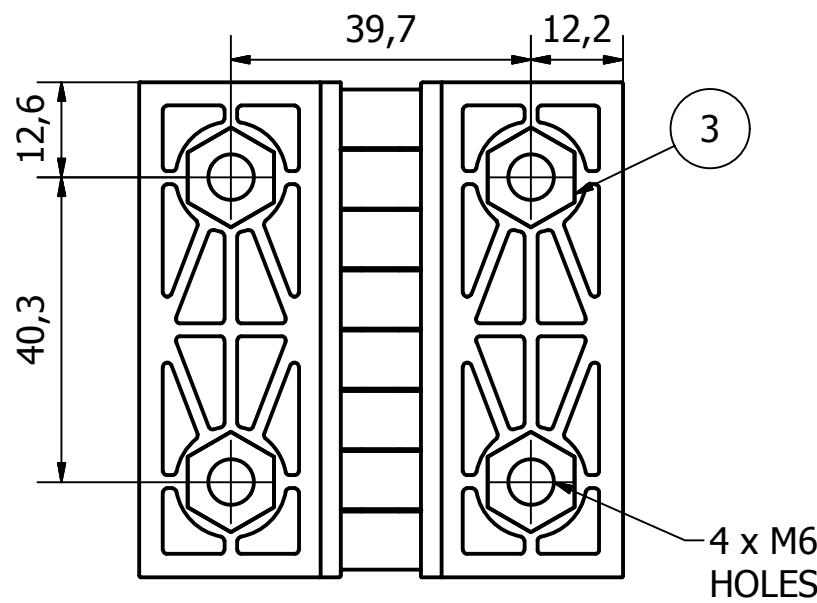
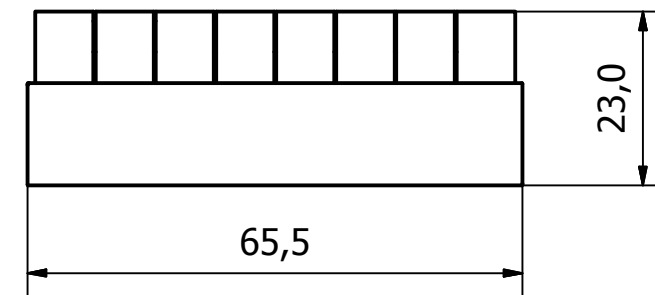
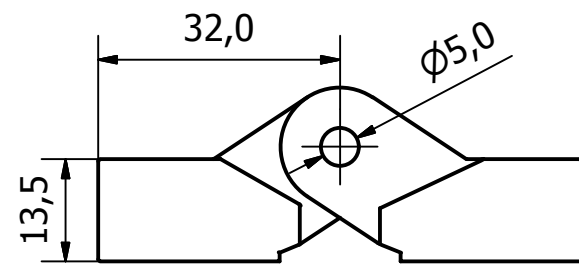
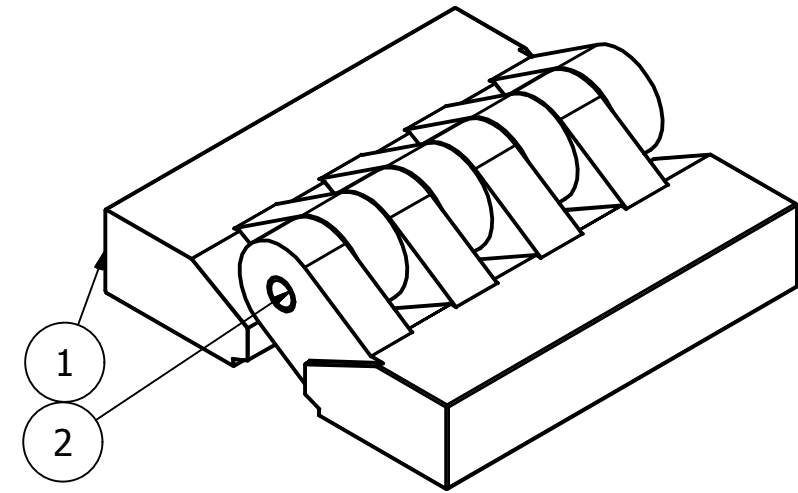
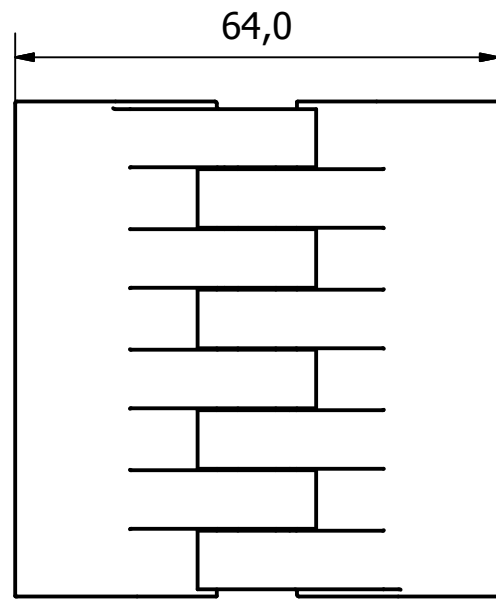


PARTS LIST			
ITEM	QTY	PART NUMBER	DESCRIPTION
1	2	1346-007-1	HINGE BODY
2	1	1346-006-2	SS HINGE PIN - 63.5 O/A
3	4	1346-007-2	SS M6 HEX INSERT



1	VALIDATION COMPLETE	04/11/16	A.P
REV	DESCRIPTION	DATE	APPROVED

GENERAL TOLERANCES ON LENGTHS	
0.5 - 6 ± 0.1mm	
6 - 30 ± 0.2mm	
30 - 120 ± 0.3mm	
120 - 400 ± 0.5mm	
400 - 1000 ± 0.8mm	
1000 - 1200 ± 1.2mm	
2000 - 4000 ± 2.0mm	

ALBERT JAGGER LTD
 GREEN LANE
 WALSALL PHONE: 01922 471000
 WEST MIDLANDS FAX: 01922 648021
 WS2 8HG

THIS DRAWING & THE DESIGN SHOWN ARE THE PROPERTY OF ALBERT JAGGER LTD AND MUST NOT BE USED OR COPIED BY A THIRD PARTY WITHOUT PERMISSION

DRAWN BY
U.F

CHECKED BY
A.P



SCALE
1 : 1

MATERIAL
-

MASS
0.085 kg

FINISH
BLACK

Date
12/10/2016

ALL DIMS IN MM UNLESS STATED DO NOT SCALE

A3



CABINET HINGE - 64 x 65.5 C/W M6 INSERTS

1346-007

Edition 1 Sheet 1 / 1