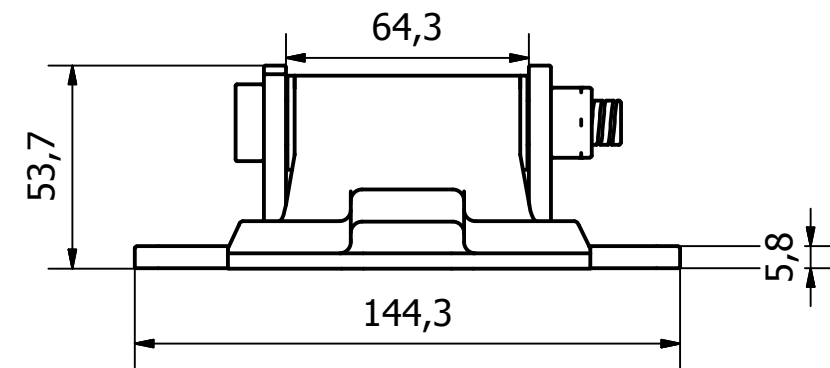
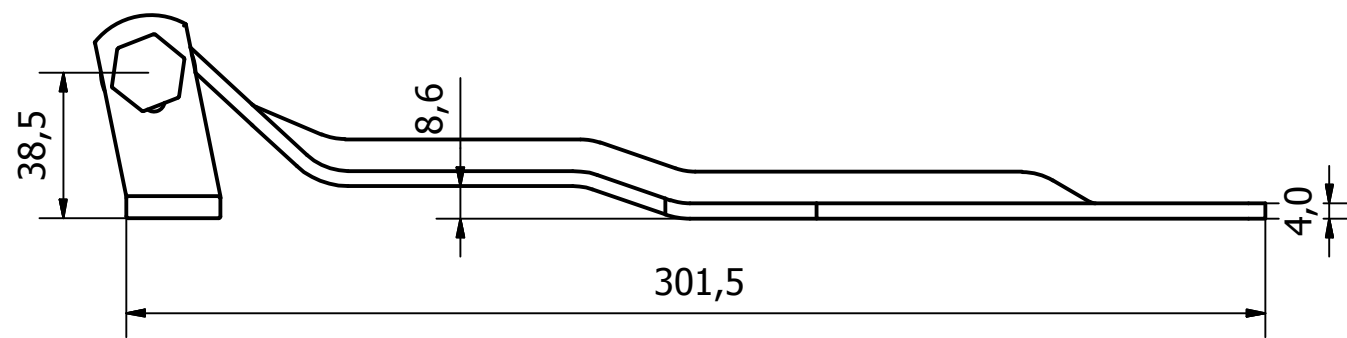
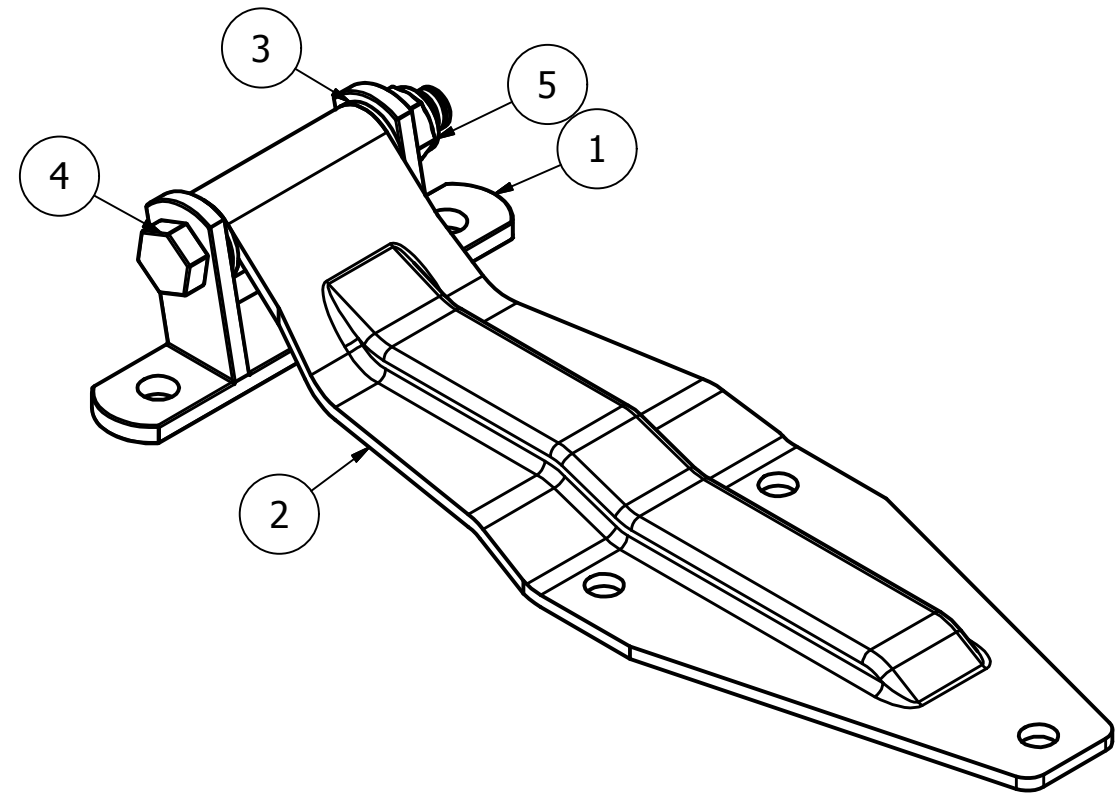
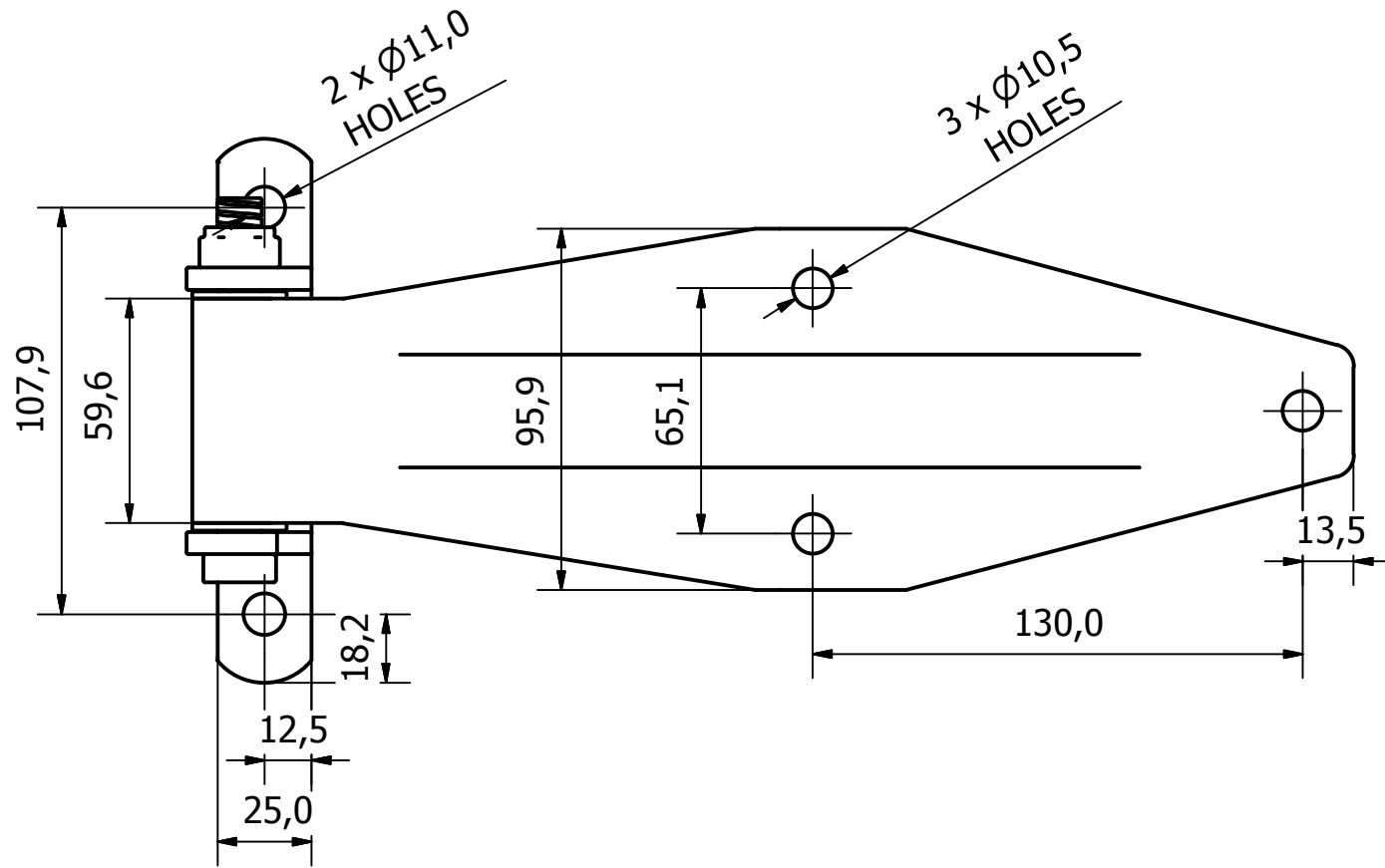


PARTS LIST			
ITEM	QTY	PART NUMBER	DESCRIPTION
1	1	2052-002-1	M/STEEL HINGE BASE PLATE
2	1	2052-002-2	M/STEEL HINGE BODY
3	2	2052-002-3	WHITE NYLON HINGE BODY INSERT
4	1	2052-002-4	M/STEEL M12 BOLT - 102 O/A
5	1	2052-002-5	M/STEEL M12 NYLOC NUT



PART No.	MATERIAL	FINISH
2052/002	MILD STEEL	Z/C PASSIVATE
2052/006	T304 S/STEEL	MIRROR POLISH

NOTE:
HINGE DESIGNED FOR 270° APPLICATIONS

GENERAL TOLERANCES ON LENGTHS
0.5 - 6 ± 0.1mm
6 - 30 ± 0.2mm
30 - 120 ± 0.3mm
120 - 400 ± 0.4mm
400 - 1000 ± 0.5mm

ALBERT JAGGER LTD
GREEN LANE
WALSALL PHONE: 01922 471000
WEST MIDLANDS FAX: 01922 648021
WS2 8HG

THIS DRAWING & THE DESIGN SHOWN ARE THE PROPERTY OF ALBERT JAGGER LTD AND MUST NOT BE USED OR COPIED BY A THIRD PARTY WITHOUT PERMISSION

DRAWN BY
U.F

CHECKED BY
A.P

SCALE
1:2

MATERIAL
-

MASS
1.363 kg

FINISH
SEE TABLE

Date
30/01/2017

ALL DIMS IN MM UNLESS STATED DO NOT SCALE

APPROVED
A3

26/07/18

U.F

REV	DESCRIPTION	DATE	APPROVED
2	DIMENSIONS UPDATED	26/07/18	U.F
1	VALIDATION COMPLETE	30/01/17	A.P



M/STEEL REAR VAN-DOOR HINGE
2052-002
Edition 2
Sheet 1 / 1