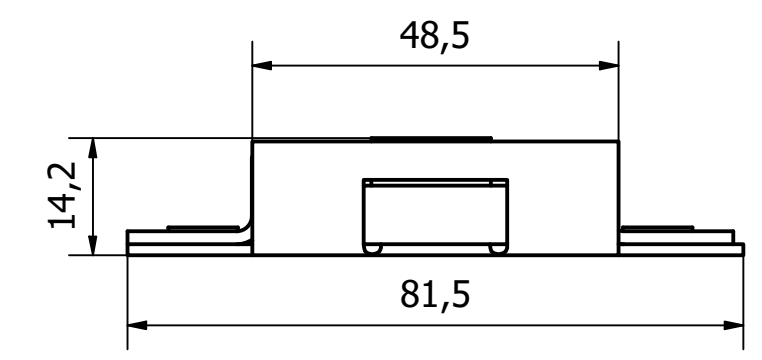
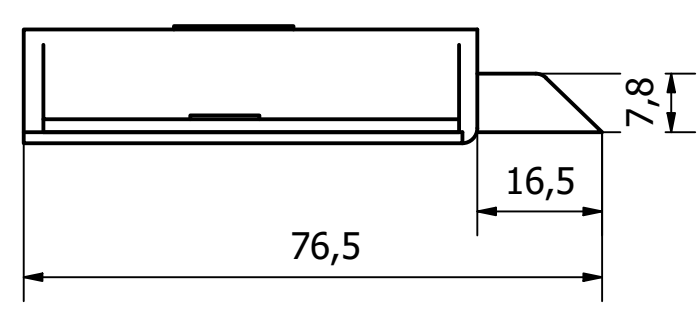
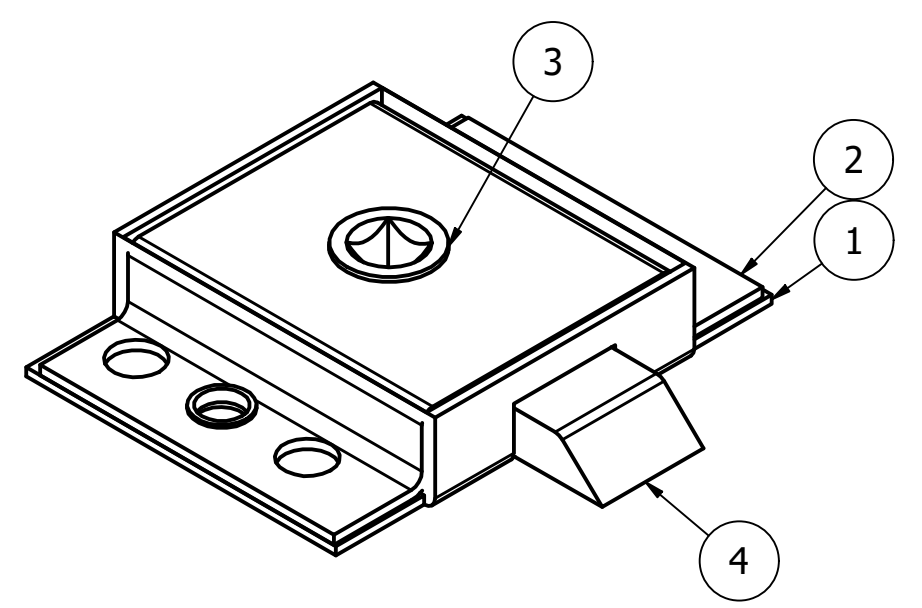


PARTS LIST			
ITEM	QTY	PART NUMBER	DESCRIPTION
1	1	2073-002-1	ZIN PLATED M/STEEL BASE
2	1	2073-002-2	ZINC PLATED M/STEEL COVER
3	1	2073-002-3	ZINC PLATED M/STEEL SQUARE DRIVE
4	1	2073-002-4	BRASS TONGUE



REV	DESCRIPTION	DATE	APPROVED
1	VALIDATION COMPLETE	20/05/19	A.P

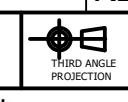
GENERAL TOLERANCES ON LENGTHS	
0.5 - 6 ± 0.1mm	
6 - 30 ± 0.2mm	
30 - 120 ± 0.3mm	
120 - 400 ± 0.5mm	
400 - 1000 ± 0.8mm	
1000 - 2000 ± 1.2mm	
2000 - 4000 ± 2.0mm	

ALBERT JAGGER LTD  
 GREEN LANE  
 WALSALL PHONE: 01922 471000  
 WEST MIDLANDS FAX: 01922 648021  
 WS2 8HG

THIS DRAWING & THE DESIGN SHOWN ARE THE PROPERTY OF ALBERT JAGGER LTD AND MUST NOT BE USED OR COPIED BY A THIRD PARTY WITHOUT PERMISSION

DRAWN BY  
A.S

CHECKED BY  
A.P



SCALE  
1 : 1

MATERIAL  
SEE DRAWING

MASS  
0.189 kg

FINISH  
SEE DRAWING

Date  
18/02/2019

ALL DIMS IN MM UNLESS STATED DO NOT SCALE

A3



SLAM LOCK NO HANDLE - 2073 SERIES

2073-002

Edition 1	Sheet 1 / 1
--------------	----------------