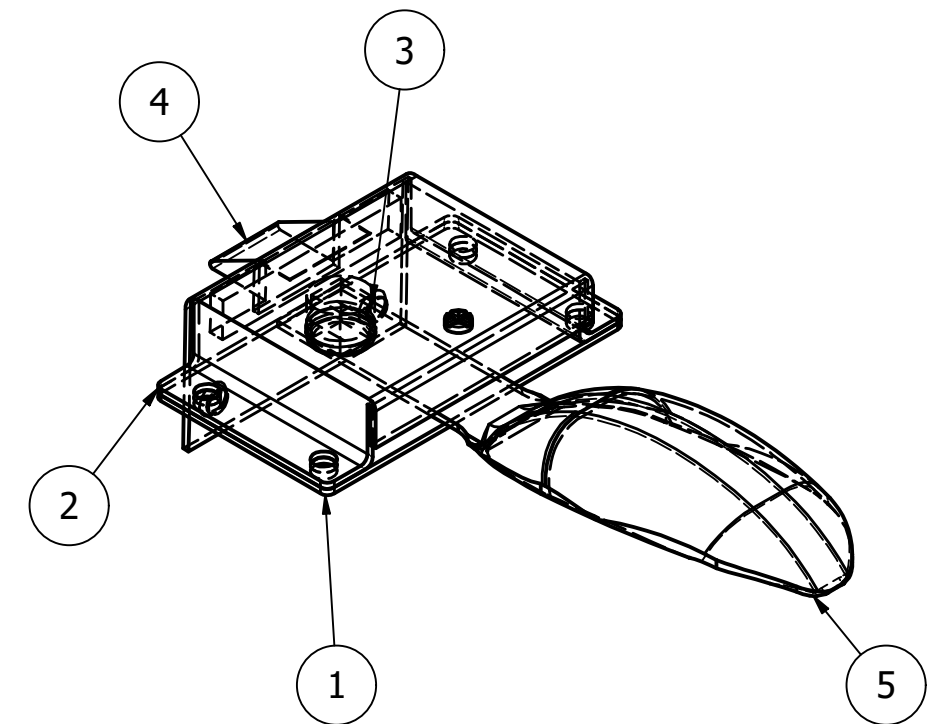


PARTS LIST				
ITEM	QTY	PART NUMBER	DESCRIPTION	
1	1	2121-004-1	M/STEEL - SLAM LOCK BASE PLATE- ZINC PLATED	
2	1	2121-004-2	M/STEEL- PRESSED SLAM LOCK BODY- ZINC PLATED	
3	1	2121-004-3	M/STEEL - LOCK BARREL- ZINC PLATED	
4	1	2121-004-4	MALLEABLE IRON - TONUGE	
5	1	2121-004-5	M/STEEL - HANDLE- ZINC PLATED	



1	VALIDATION COMPLETE	02/12/21	C.H
REV	DESCRIPTION	DATE	APPROVED
1	SLAM LOCK - ZP / WITH HANDLE, LOCKING	01/12/2021	A3
2121-004		Edition 1	Sheet 1 / 1

GENERAL TOLERANCES ON LENGTHS	
0.5 - 6 ± 0.1mm	
6 - 30 ± 0.2mm	
30 - 120 ± 0.3mm	
120 - 400 ± 0.5mm	
400 - 1000 ± 0.8mm	
1000 - 2000 ± 1.2mm	
2000 - 4000 ± 2.0mm	

ALBERT JAGGER LTD
 GREEN LANE
 WALSALL PHONE: 01922 471000
 WEST MIDLANDS FAX: 01922 648021
 WS2 8HG

THIS DRAWING & THE DESIGN SHOWN ARE THE PROPERTY OF ALBERT JAGGER LTD AND MUST NOT BE USED OR COPIED BY A THIRD PARTY WITHOUT PERMISSION

DRAWN BY S.R
 CHECKED BY C.H
 SCALE 1 : 1.5
 MATERIAL SEE TABLE
 MASS 0.210 kg
 FINISH SEE TABLE
 Date 01/12/2021
 ALL DIMS IN MM UNLESS STATED DO NOT SCALE



SLAM LOCK - ZP / WITH HANDLE, LOCKING
 2121-004