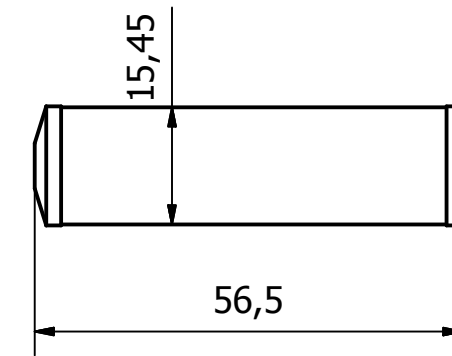
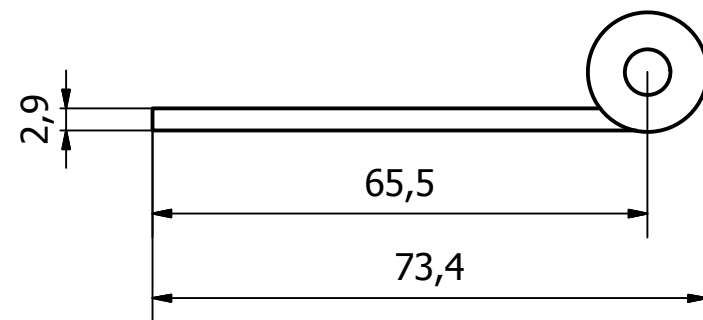
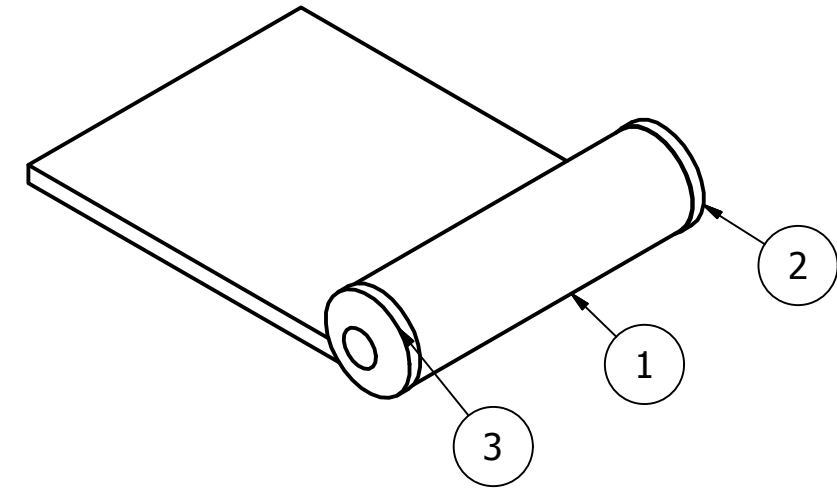
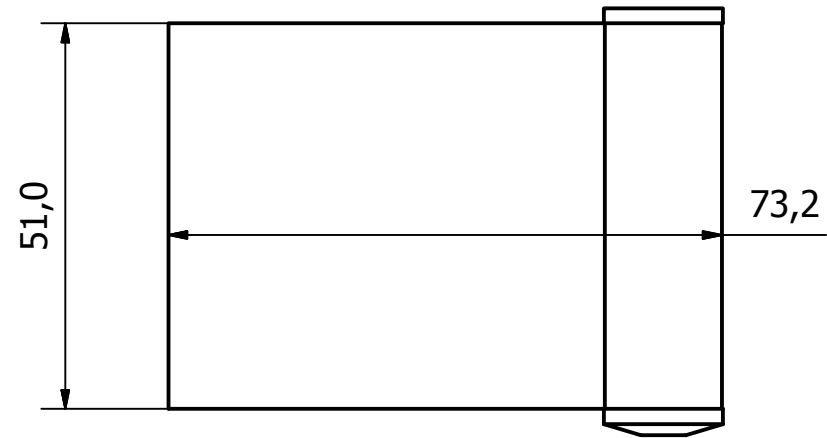


PARTS LIST			
ITEM	QTY	PART NUMBER	DESCRIPTION
1	1	2211-001-1	M/STEEL HINGE PLATE - SELF COLOUR
2	1	2211-001-3	PLASTIC PIN BUSH - 28.5 O/A
3	1	2211-001-4	PLASTIC END BUSH - 9.5 O/A



REV	DESCRIPTION	DATE	APPROVED
1	VALIDATION COMPLETE	22/12/16	A.P

GENERAL TOLERANCES ON LENGTHS  
0.5 - 6 ± 0.1mm  
6 - 30 ± 0.2mm  
30 - 120 ± 0.3mm  
120 - 400 ± 0.5mm  
400 - 1000 ± 0.8mm  
1000 - 1200 ± 1.2mm  
2000 - 4000 ± 2.0mm

ALBERT JAGGER LTD  
GREEN LANE  
WALSALL PHONE: 01922 471000  
WEST MIDLANDS FAX: 01922 648021  
WS2 8HG  
THIS DRAWING & THE DESIGN SHOWN ARE THE PROPERTY OF ALBERT JAGGER LTD AND MUST NOT BE USED OR COPIED BY A THIRD PARTY WITHOUT PERMISSION

DRAWN BY  
U.F

CHECKED BY  
A.P

THIRD ANGLE PROJECTION

SCALE  
1 : 1

MATERIAL  
-

MASS  
0.115 kg

FINISH  
NATURAL

Date  
19/10/2016

ALL DIMS IN MM UNLESS STATED DO NOT SCALE

A3



LIFT OFF HINGE - LH FEMALE SELF COLOUR  
2211-003  
Edition 1  
Sheet 1 / 1