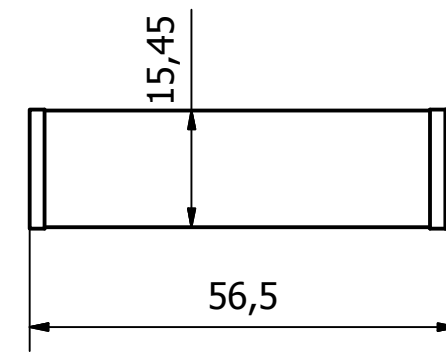
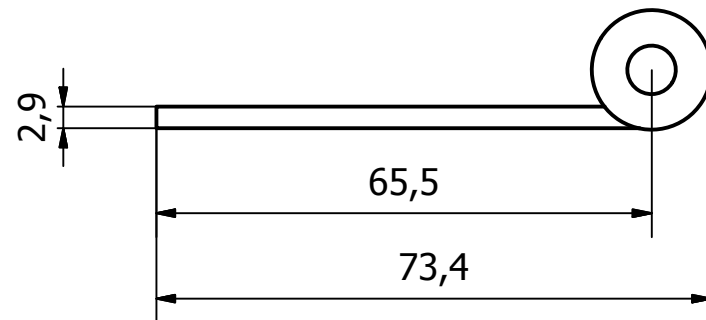
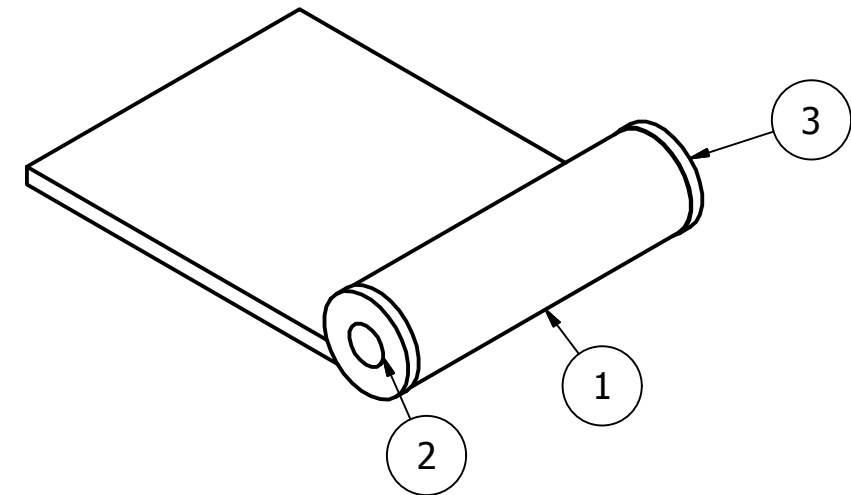
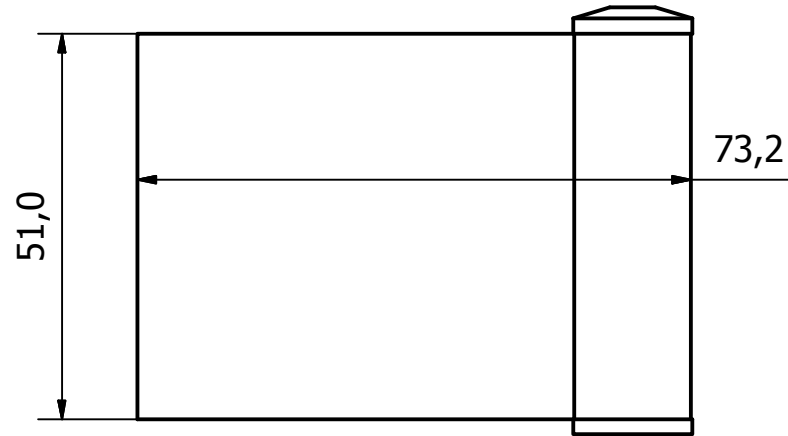


PARTS LIST			
ITEM	QTY	PART NUMBER	DESCRIPTION
1	1	2211-001-1	M/STEEL HINGE PLATE - SELF COLOUR
2	1	2211-001-3	PLASTIC PIN BUSH - 28.5 O/A
3	1	2211-001-4	PLASTIC END BUSH - 9.5 O/A



1	VALIDATION COMPLETE	22/12/16	A.P
REV	DESCRIPTION	DATE	APPROVED

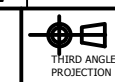
GENERAL TOLERANCES ON LENGTHS 0.5 - 6 ± 0.1mm 6 - 30 ± 0.2mm 30 - 120 ± 0.3mm 120 - 400 ± 0.5mm 400 - 1000 ± 0.8mm 1000 - 1200 ± 1.2mm 2000 - 4000 ± 2.0mm
--

ALBERT JAGGER LTD
 GREEN LANE
 WALSALL PHONE: 01922 471000
 WEST MIDLANDS FAX: 01922 648021
 WS2 8HG

THIS DRAWING & THE DESIGN SHOWN
 ARE THE PROPERTY OF ALBERT JAGGER LTD
 AND MUST NOT BE USED OR COPIED BY A
 THIRD PARTY WITHOUT PERMISSION

DRAWN BY
U.F

CHECKED BY
A.P



SCALE
1 : 1

MATERIAL
-

MASS
0.115 kg

FINISH
NATURAL

Date
19/10/2016

ALL DIMS IN MM
UNLESS STATED
DO NOT SCALE

A3



IFT OFF HINGE - RH FEMALE SELF COLOUR
 2211-004
 Edition 1
 Sheet 1 / 1