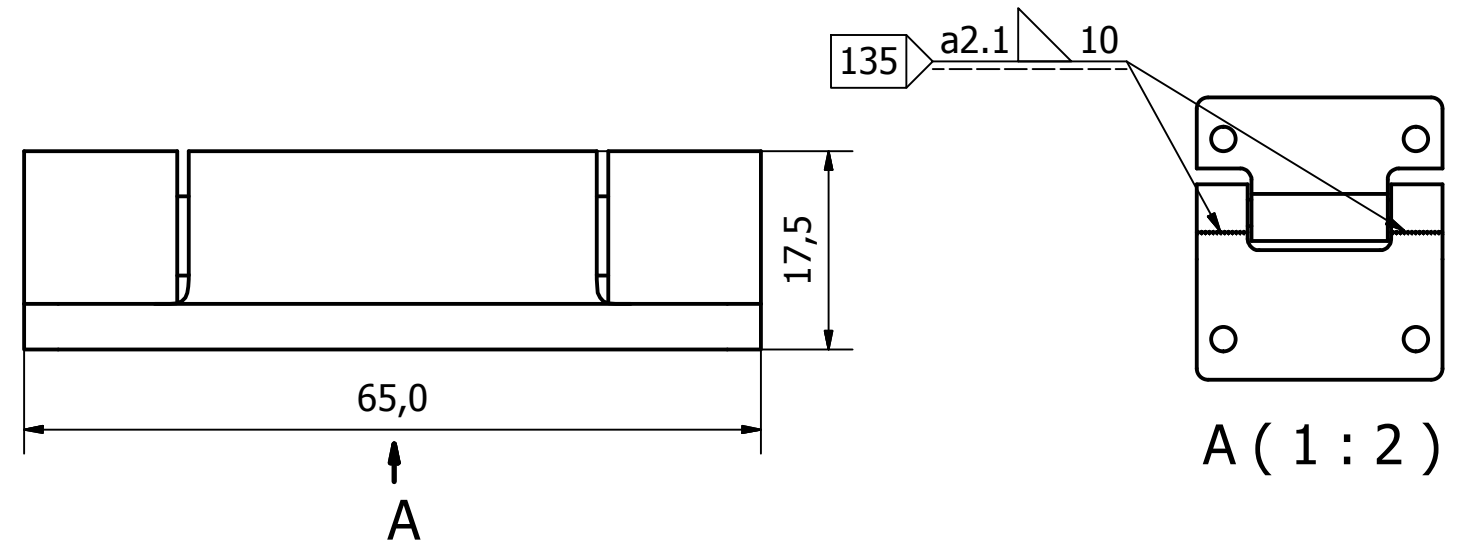
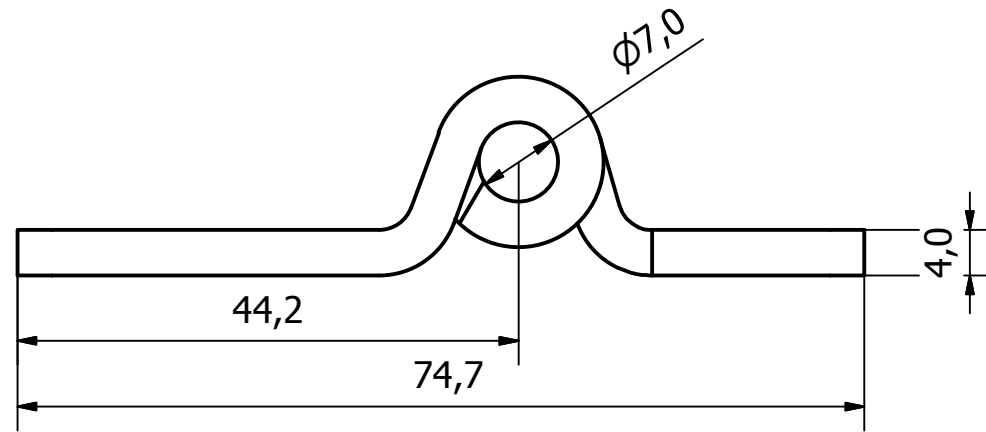
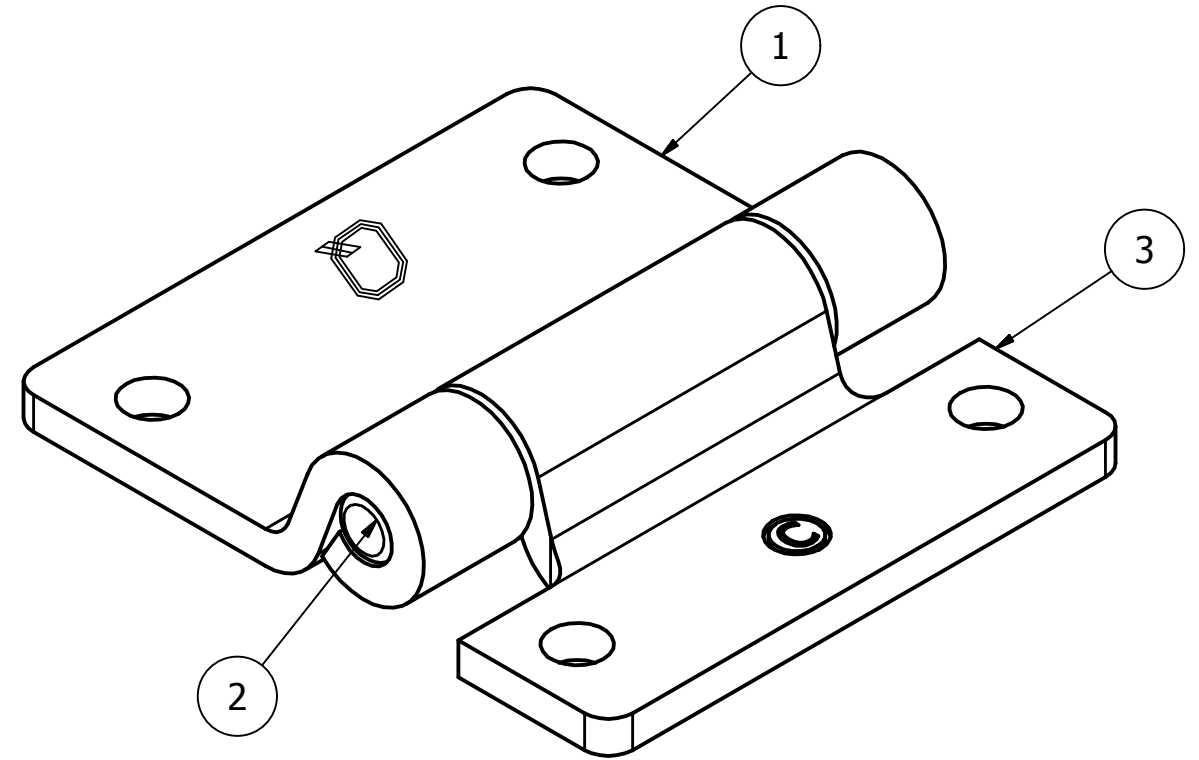
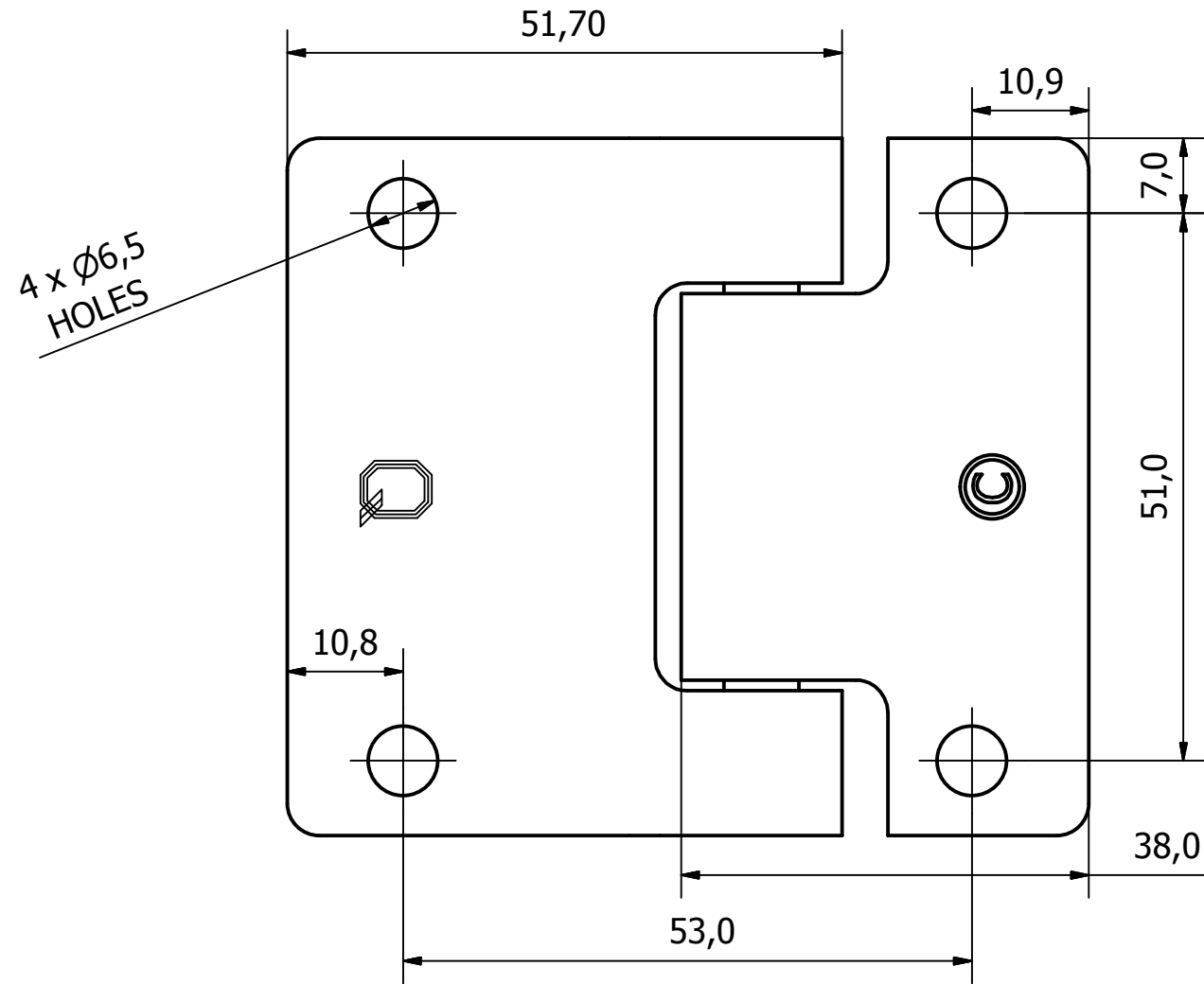


PARTS LIST			
ITEM	QTY	PART NUMBER	DESCRIPTION
1	1	2216-006-1	HINGE BASE PLATE - M/STEEL
2	1	2216-006-2	HINGE PIN - 65 O/A - M/STEEL
3	1	2216-006-3	HINGE MOUNTING PLATE - M/STEEL



NOTE:

HINGE DESIGNED FOR 180° APPLICATIONS
BUT WILL ROTATE THROUGH 270°

GENERAL TOLERANCES ON LENGTHS
0.5 - 6 ± 0.1mm
6 - 30 ± 0.2mm
30 - 120 ± 0.3mm
120 - 400 ± 0.5mm
400 - 1000 ± 0.8mm
1000 - 1200 ± 1.2mm
2000 - 4000 ± 2.0mm

ALBERT JAGGER LTD
GREEN LANE
WALSALL PHONE: 01922 471000
WEST MIDLANDS FAX: 01922 648021
WS2 8HG

THIS DRAWING & THE DESIGN SHOWN
ARE THE PROPERTY OF ALBERT JAGGER LTD
AND MUST NOT BE USED OR COPIED BY A
THIRD PARTY WITHOUT PERMISSION

DRAWN BY
U.F

CHECKED BY
A.P



SCALE
1.5 : 1

MATERIAL
-

MASS
0.204 kg

FINISH
Z/C
PASSIVATE

Date
03/10/2016

ALL DIMS IN MM
UNLESS STATED
DO NOT SCALE

A3



M/S HINGE - 74.7 x 65

2216-006

Edition
1

Sheet
1 / 1