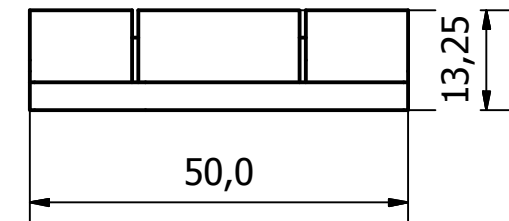
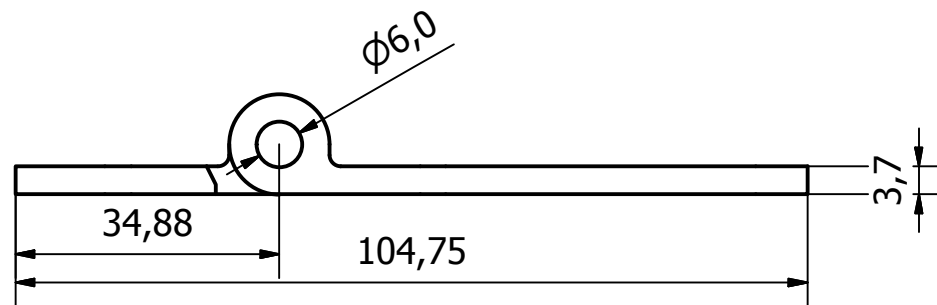
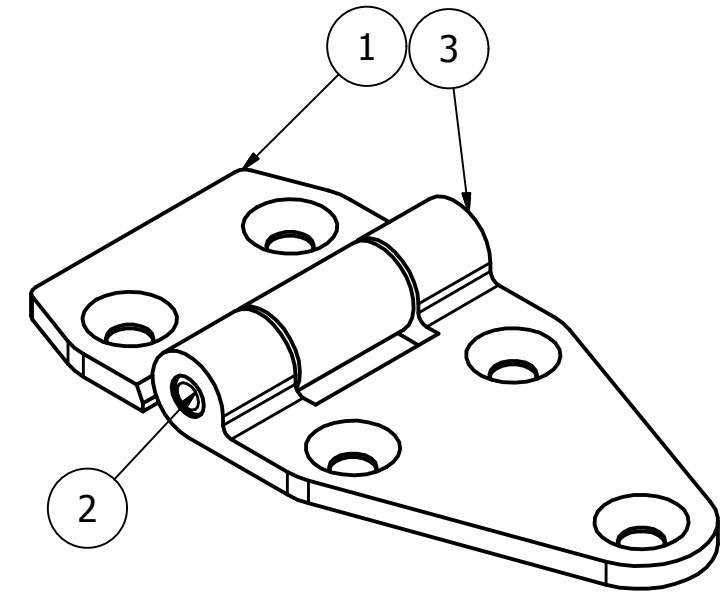
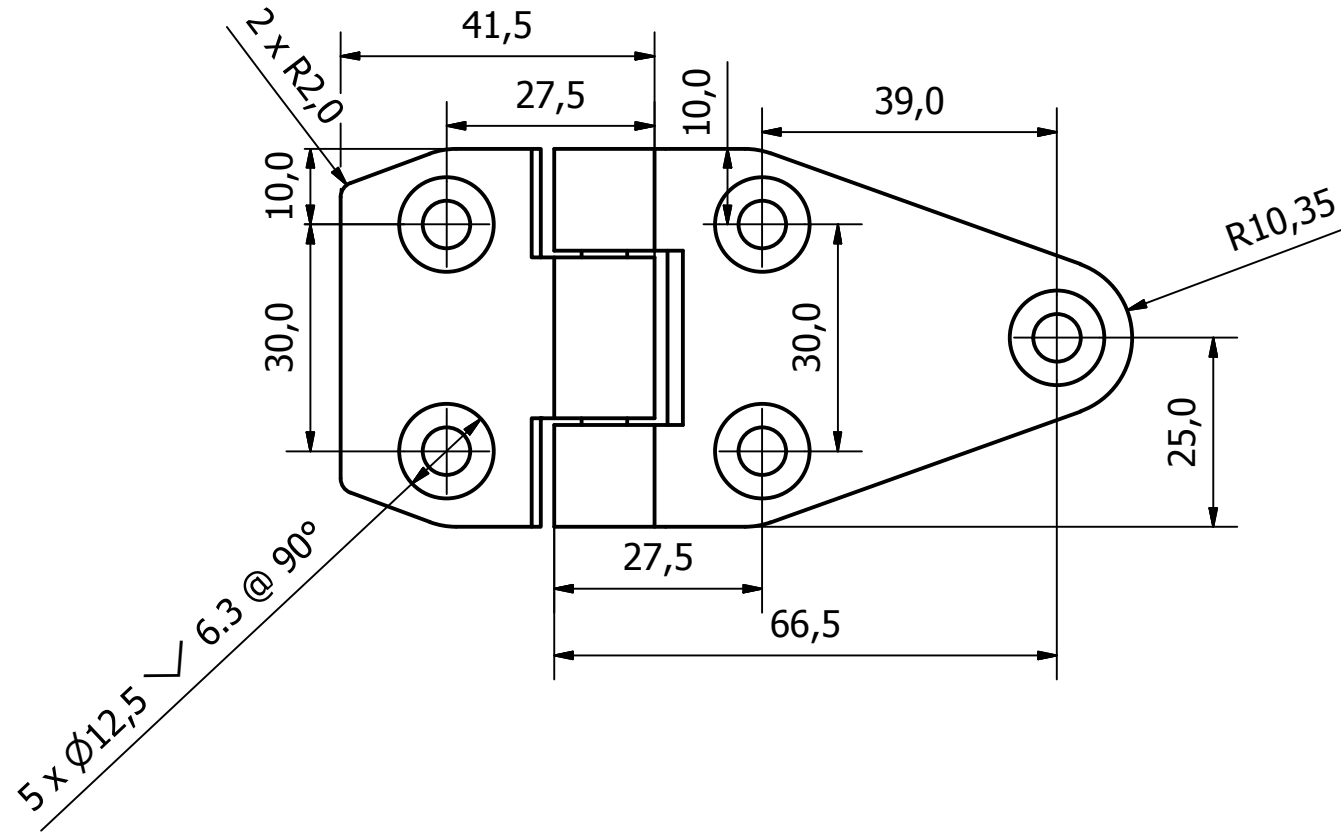


PARTS LIST			
ITEM	QTY	PART NUMBER	DESCRIPTION
1	1	2218-002-1	HINGE BASE PLATE (SHORT FLAP) - M/STEEL
2	1	2218-001-2	METRO BLAST BUSH
3	1	2218-001-3	HINGE MOUNTING PLATE (LONG FLAP) - M/S



NOTE:
HINGE DESIGNED FOR UP TO 260° APPLICATIONS

GENERAL TOLERANCES ON LENGTHS
0.5 - 6 ± 0.1mm
6 - 30 ± 0.2mm
30 - 120 ± 0.3mm
120 - 400 ± 0.5mm
400 - 1000 ± 0.8mm
1000 - 1200 ± 1.2mm
2000 - 4000 ± 2.0mm

ALBERT JAGGER LTD
GREEN LANE
WALSALL PHONE: 01922 471000
WEST MIDLANDS FAX: 01922 648021
WS2 8HG

THIS DRAWING & THE DESIGN SHOWN ARE THE PROPERTY OF ALBERT JAGGER LTD AND MUST NOT BE USED OR COPIED BY A THIRD PARTY WITHOUT PERMISSION

DRAWN BY
U.F

CHECKED BY
A.P

THIRD ANGLE PROJECTION

SCALE
1 : 1

MATERIAL
-

MASS
0.149 kg

FINISH
Z/C
PASSIVATE

Date
30/09/2016

ALL DIMS IN MM UNLESS STATED DO NOT SCALE

A3

REV	DESCRIPTION	DATE	APPROVED
1	VALIDATION COMPLETE	04/11/16	A.P



MAINTENANCE FREE SOLID DRAWN STEEL HINGE - LONG/SHORT FLAPS

2218-002

Edition
1

Sheet
1 / 1