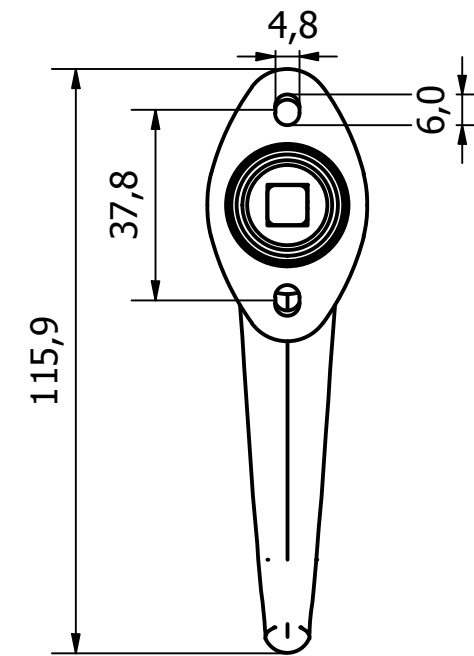
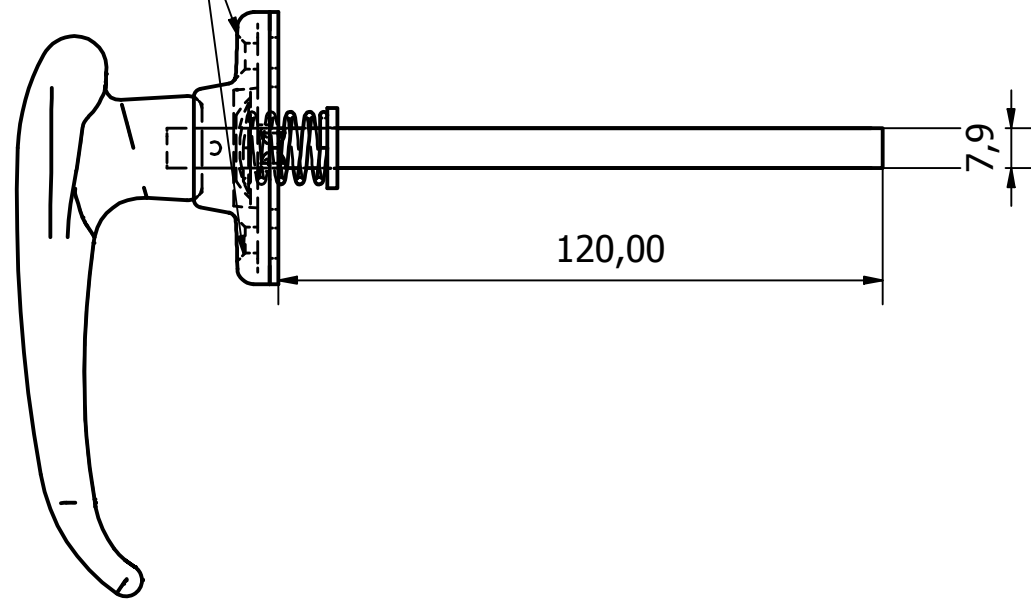


2 x 9,0 HOLES \sphericalangle Ø5,2 @ 90°



1	VALIDATION COMPLETE	16/04/19	A.P
REV	DESCRIPTION	DATE	APPROVED
A.S	A.P	01/02/2019	A3
		SCALE 1:1.5	MATERIAL SEE DRAWING
		MASS 0.008 kg	FINISH SEE DRAWING
1.1/2" FLUTED C.P. NON LKG HANDLE		Date	ALL DIMS IN MM UNLESS STATED DO NOT SCALE
2280-001		Edition 1	Sheet 1 / 1

GENERAL TOLERANCES ON LENGTHS
0.5 - 6 ± 0.1mm
6 - 30 ± 0.2mm
30 - 120 ± 0.3mm
120 - 400 ± 0.5mm
400 - 1000 ± 0.8mm
1000 - 2000 ± 1.2mm
2000 - 4000 ± 2.0mm

ALBERT JAGGER LTD
 GREEN LANE
 WALSALL PHONE: 01922 471000
 WEST MIDLANDS FAX: 01922 648021
 WS2 8HG

THIS DRAWING & THE DESIGN SHOWN ARE THE PROPERTY OF ALBERT JAGGER LTD AND MUST NOT BE USED OR COPIED BY A THIRD PARTY WITHOUT PERMISSION

DRAWN BY A.S
 CHECKED BY A.P

SCALE 1:1.5
 MATERIAL SEE DRAWING

MASS 0.008 kg
 FINISH SEE DRAWING

Date 01/02/2019
 ALL DIMS IN MM UNLESS STATED DO NOT SCALE
 Edition 1
 Sheet 1 / 1