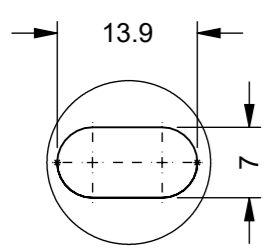
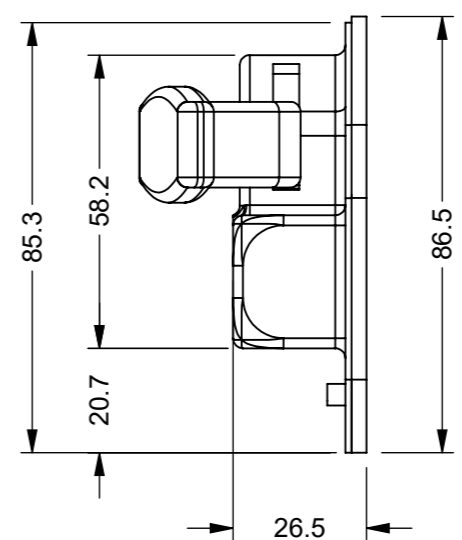
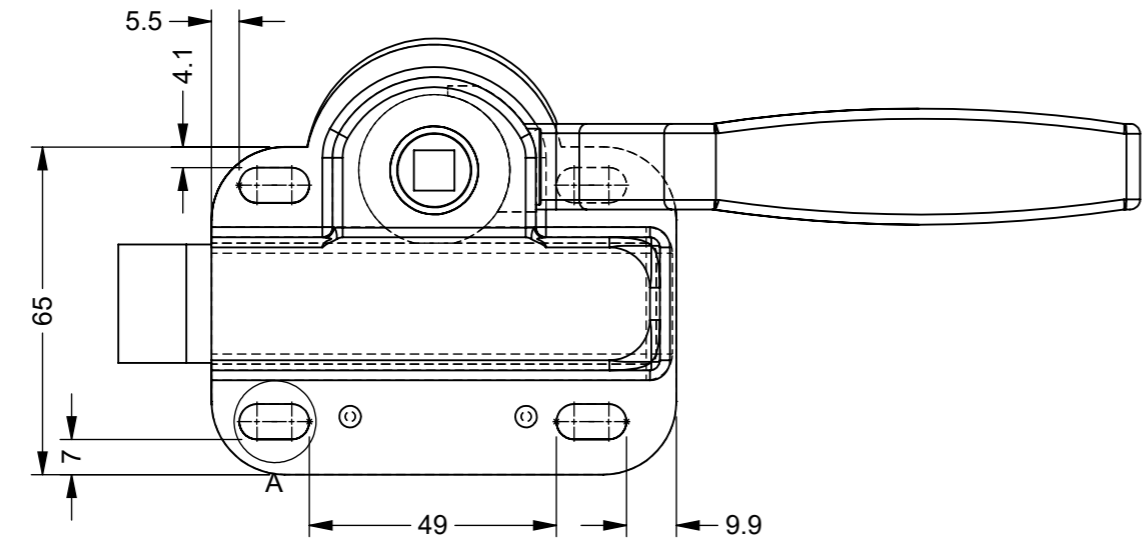
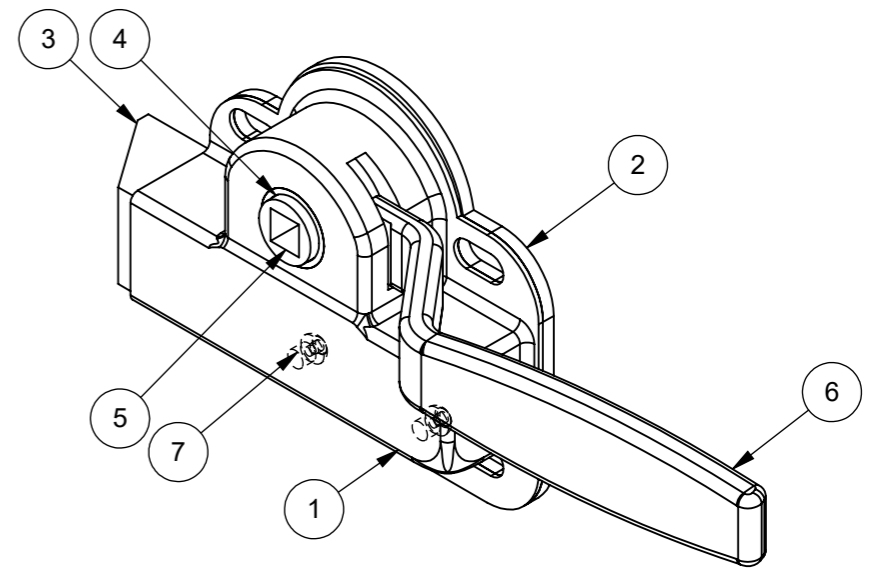
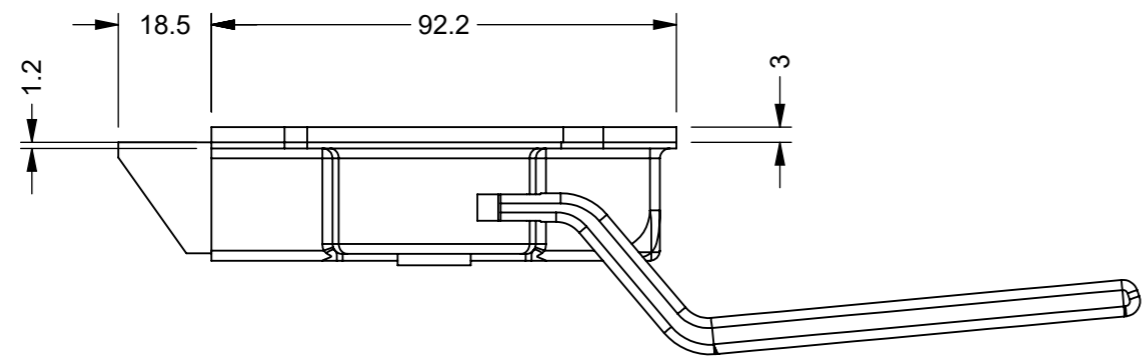


IF IN DOUBT ASK

ITEM NO.	PART NUMBER	DESCRIPTION	QTY.
1	2400-002-1	M/STEEL SLAM LOCK CASING - RH Z/C PASSIVATED	1
2	2410-002-2	PLASTIC BACK PLATE - BLACK	1
3	2410-002-3	NYLON TONGUE - WHITE	1
4	2410-002-4	NYLON BARREL AND HANDLE MOUNT - WHITE	1
5	2410-002-5	M/STEEL BARREL - Z/C PASSIVATED	1
6	2410-002-6	M/STEEL HANDLE - Z/C PASSIVATED WITH PLASTIC DIP COATING	1
7	2410-002-7	M/STEEL RIVETS - Z/C PASSIVATED	2



DETAIL A
SCALE: 4 : 3
4 PLACES

UNLESS OTHERWISE STATED, ALL DIMENSIONS IN mm

TOLERANCES		SURFACE FINISH 1.6um Ra	
0.5 - 6	= ±0.1mm	FILLET RADII	0.5 TO 1.0
6 - 30	= ±0.2 mm	SQUARENESS	0.05 IN 25
30 - 120	= ±0.3 mm	PARALLELISM	0.05 IN 25
120 - 400	= ±0.5 mm	RUNOUT	0.1
400 - 1000	= ±0.8 mm	ANGLES	±0.5°
1000 - 2000	= ±1.2 mm		
2000 - 4000	= ±2.0 mm		

MATERIAL: SEE TABLE		DRAWN BY: UF		DESCRIPTION: PLANT-ON SLAM LOCK - RH WITH HANDLE		A3
MASS: 0.37		CHECKED BY: A.P				
FINISH: SEE TABLE		APPROVED BY: A.P		NUMBER: 2410-002	REVISION: 2	
		ORIGINATION DATE: 08/01/2024		SCALE : PROPORTIONAL - DO NOT SCALE REF SCALE 1:2 WHEN PRINTED ON A3		PROJECTION 3rd ANGLE

PROPRIETARY RIGHTS ARE INCLUDED IN THE INFORMATION DISCLOSED HEREIN. NEITHER THIS DOCUMENT NOR ANY INFORMATION DISCLOSED SHALL BE REPRODUCED, USED, TRANSFERRED TO OTHER DOCUMENTS, OR DISCLOSED TO OTHERS FOR ANY PURPOSE INCLUDING MANUFACTURING UNLESS SPECIFICALLY AUTHORIZED IN WRITING
REMOVE ALL SHARP EDGES AND BURRS
PART FINISHING AND MARKING TO CESF001

ZONE	REV.	DESCRIPTION	DATE	APPROVED
	2	RE-DRAWN IN SOLIDWORKS	09/01/2024	U.F

REVISIONS