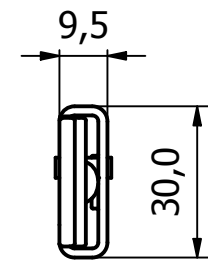
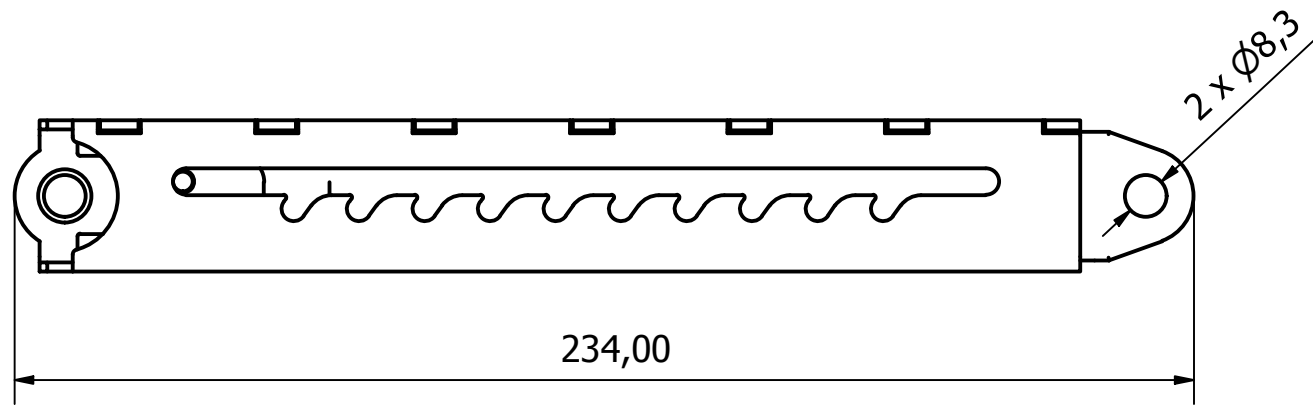
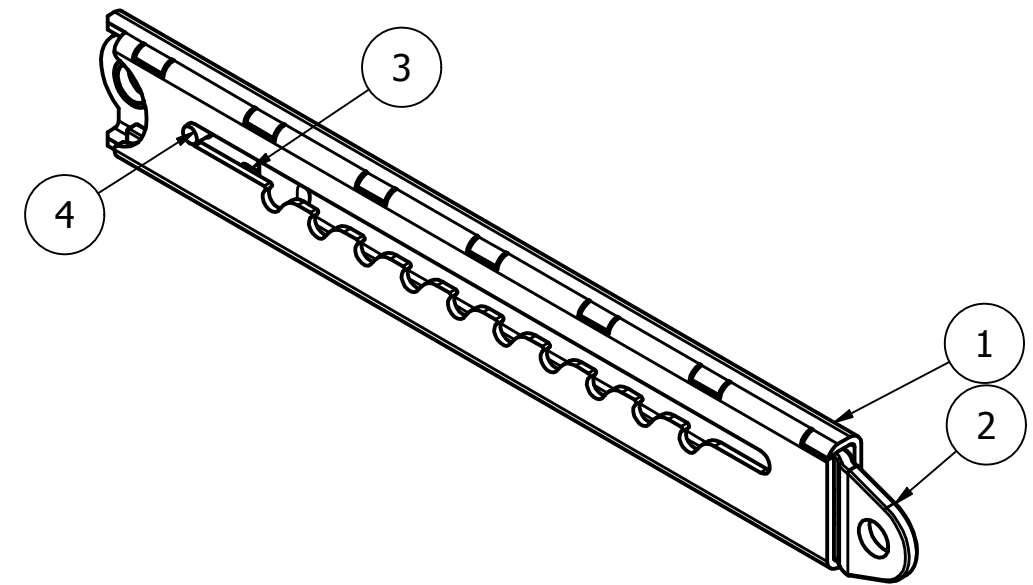
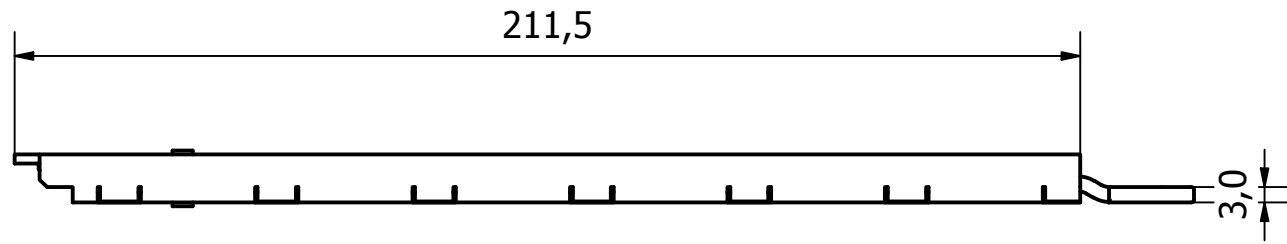


PARTS LIST			
ITEM	QTY	PART NUMBER	DESCRIPTION
1	1	2522-305-1	M/STEEL SUPPORT STAY BODY
2	1	2522-305-2	M/STEEL SUPPORT STAY MOUNTING ARM
3	1	2522-305-3	M/STEEL CAM PLATE
4	1	2522-305-4	S/STEEL PIN



NOTE:

10 POINT POSITION RATCHET LOCK OUT/RELEASE SYSTEM

EXTENDED LENGTH - 395mm

GENERAL TOLERANCES ON LENGTHS
0.5 - 6 ± 0.1mm
6 - 30 ± 0.2mm
30 - 120 ± 0.3mm
120 - 400 ± 0.5mm
400 - 1000 ± 0.8mm
1000 - 2000 ± 1.2mm
2000 - 4000 ± 2.0mm

ALBERT JAGGER LTD
GREEN LANE
WALSALL PHONE: 01922 471000
WEST MIDLANDS FAX: 01922 648021
WS2 8HG

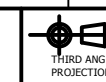
THIS DRAWING & THE DESIGN SHOWN ARE THE PROPERTY OF ALBERT JAGGER LTD AND MUST NOT BE USED OR COPIED BY A THIRD PARTY WITHOUT PERMISSION

DRAWN BY

U.F

CHECKED BY

A.P



SCALE

2 : 3

MATERIAL

SEE TABLE

MASS

0.291 kg

FINISH

Z/C PASSIVATE

Date

11/04/2019

ALL DIMS IN MM UNLESS STATED DO NOT SCALE

A3

1	VALIDATION COMPLETE	11/04/19	A.P
REV	DESCRIPTION	DATE	APPROVED

albert **Jagger** M/STEEL TELESCOPIC SUPPORT LID STAY
2522-305

Edition	1	Sheet	1 / 1
---------	---	-------	-------