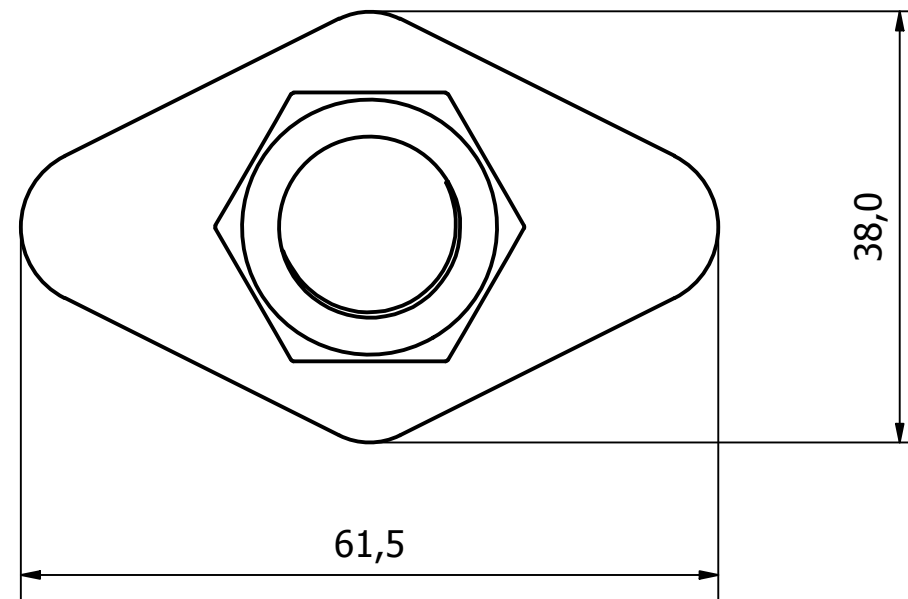
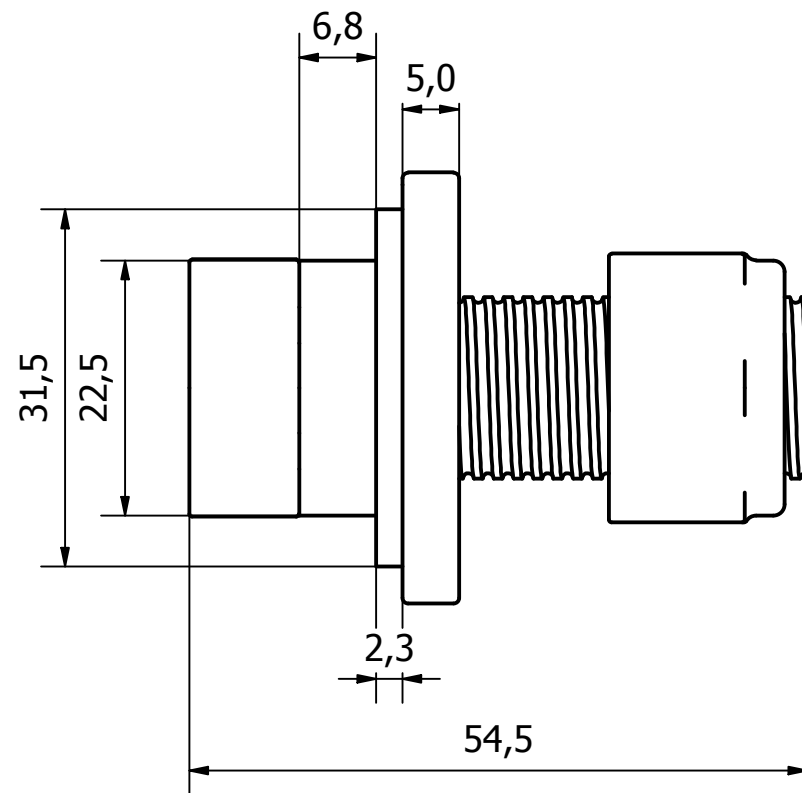
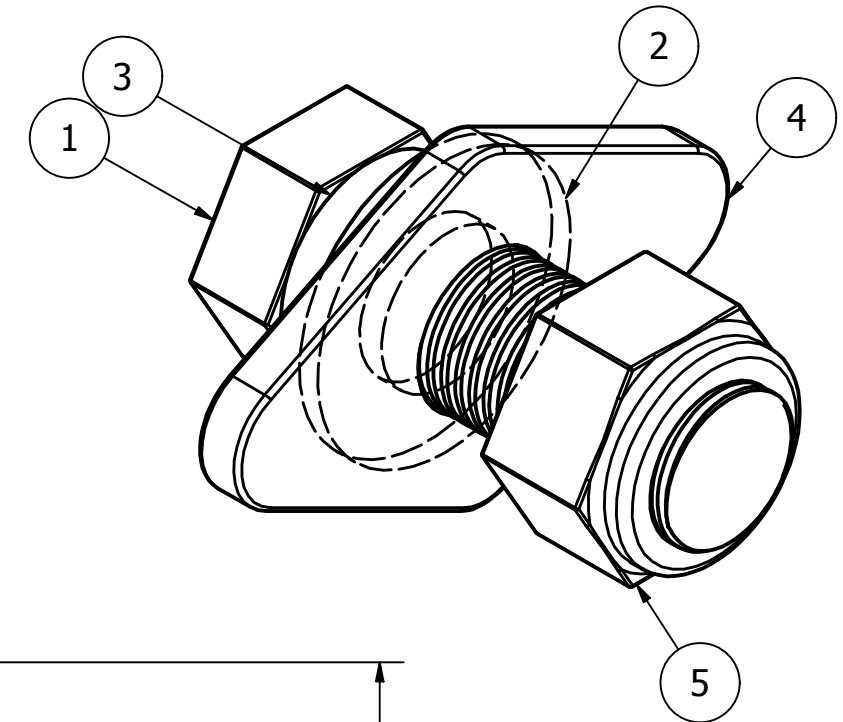


PARTS LIST			
ITEM	QTY	PART NUMBER	DESCRIPTION
1	1	2712-113-1	M/STEEL M16 BOLT - Z/C PASSIVATED
2	1	2712-113-2	M/STEEL M16 WASHER - ZINC + GOLD PASSIVATED
3	1	2712-113-3	M/STEEL BUSH - ZINC + GOLD PASSIVATED
4	1	2712-113-4	M/STEEL PLATE - ZINC + GOLD PASSIVATED
5	1	2712-113-5	M/STEEL M16 NYLOC NUT - Z/C PASSIVATED



1	VALIDATION COMPLETE	30/10/19	A.P
REV	DESCRIPTION	DATE	APPROVED

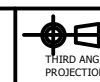
GENERAL TOLERANCES ON LENGTHS
0.5 - 6 ± 0.1mm
6 - 30 ± 0.2mm
30 - 120 ± 0.3mm
120 - 400 ± 0.5mm
400 - 1000 ± 0.8mm
1000 - 2000 ± 1.2mm
2000 - 4000 ± 2.0mm

ALBERT JAGGER LTD
GREEN LANE
WALSALL PHONE: 01922 471000
WEST MIDLANDS FAX: 01922 648021
WS2 8HG

THIS DRAWING & THE DESIGN SHOWN
ARE THE PROPERTY OF ALBERT JAGGER LTD
AND MUST NOT BE USED OR COPIED BY A
THIRD PARTY WITHOUT PERMISSION

DRAWN BY
U.F

CHECKED BY
A.P



SCALE
3:2

MATERIAL
SEE TABLE

MASS
0.203 kg

FINISH
SEE TABLE

Date
24/10/2019

ALL DIMS IN MM
UNLESS STATED
DO NOT SCALE

A3



M/STEEL M16 WINCH BOLT ASSY
2712-113

Edition 1	Sheet 1 / 1
--------------	----------------