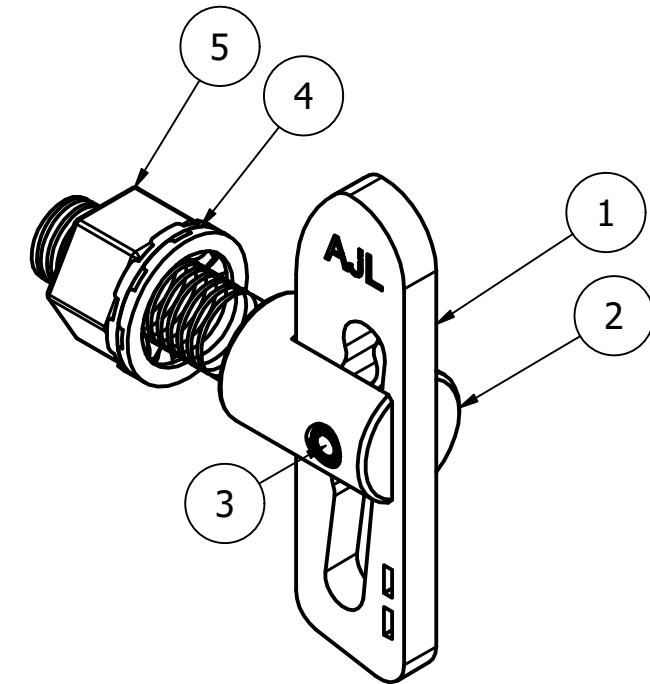


PARTS LIST			
ITEM	QTY	PART NUMBER	DESCRIPTION
1	1	3330315	SMALL BABY COTTER S/STEEL
2	1	3330-095 BOSS	S/STEEL A/L M8 BOSS
3	1	3330235	S/STEEL ROLL PIN
4	2	BW1027	S/STEEL 304 LOCK WASHER
5	1	BN1042	S/STEEL A2 M8 NUT



REV	DESCRIPTION	DATE	APPROVED
4	DESIGN UPDATED	09/03/22	K.M
3	RE-DRAWN IN 3D CAD	15/12/16	A.P

GENERAL TOLERANCES ON LENGTHS
0.5 - 6 ± 0.1mm
6 - 30 ± 0.2mm
30 - 120 ± 0.3mm
120 - 400 ± 0.5mm
400 - 1000 ± 0.8mm
1000 - 1200 ± 1.2mm
2000 - 4000 ± 2.0mm

ALBERT JAGGER LTD  
 GREEN LANE  
 WALSALL PHONE: 01922 471000  
 WEST MIDLANDS FAX: 01922 648021  
 WS2 8HG

THIS DRAWING & THE DESIGN SHOWN ARE THE PROPERTY OF ALBERT JAGGER LTD AND MUST NOT BE USED OR COPIED BY A THIRD PARTY WITHOUT PERMISSION

DRAWN BY  
U.F

CHECKED BY  
A.P

THIRD ANGLE PROJECTION

SCALE  
1.5:1

MATERIAL  
S/STEEL T304

MASS  
0.045 kg

FINISH  
NATURAL

Date  
15/12/2016

ALL DIMS IN MM UNLESS STATED DO NOT SCALE

A3



M8 ST/ST ANTILUCE™ C/W 25MM THREAD  
 3330-095

Edition 4	Sheet 1 / 1
--------------	----------------