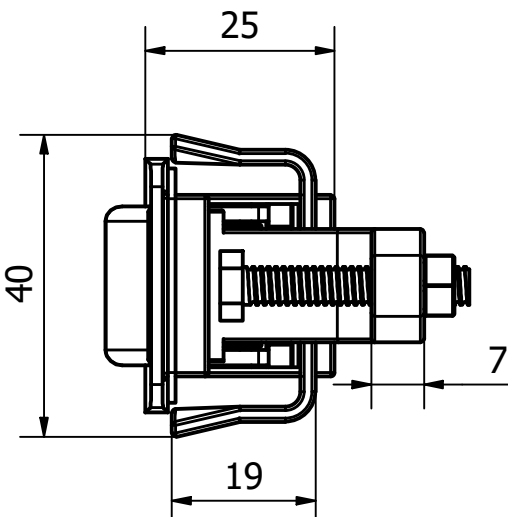
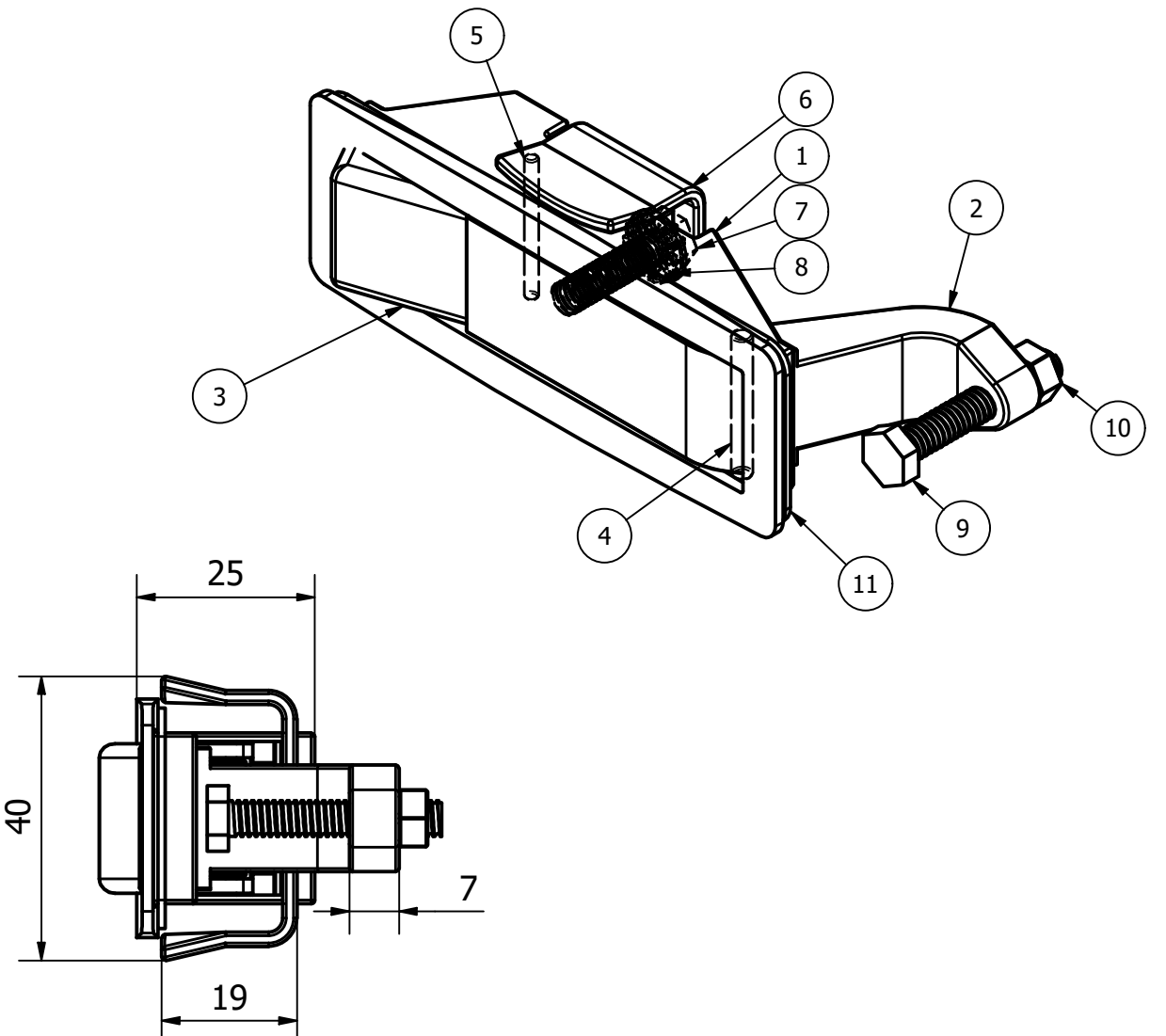


PARTS LIST			
ITEM	QTY	PART NUMBER	DESCRIPTION
1	1	3802-BL24M-1	ZINC DIE-CAST LOCK BODY - P/C BLACK
2	1	3802-BL24M-2	ZINC DIE-CAST LATCH - P/C BLACK
3	1	3802-BN24-1	ZINC DIE-CAST RELEASE BUTTON - P/C BLACK
4	1	3802-BL24M-5	S/STEEL LATCH PIN - NATURAL
5	1	3802-BL24M-6	S/STEEL BUTTON PIN - NATURAL
6	1	3802-BL24M-7	M/STEEL CLAMP - Z/C PASSIVATED
7	1	3802-BL24M-8	M/STEEL M5 CLAMP SCREW - Z/C PASSIVATED
8	1	3802-BL24M-9	M/STEEL M5 LOCK WASHER - Z/C PASSIVATED
9	1	3802-BL24M-10	M/STEEL M5 GRIP RANGE SCREW - Z/C PASSIVATED
10	1	3802-BL24M-11	M/STEEL M5 NUT - Z/C PASSIVATED
11	1	3802-BL24M-12	RUBBER GASKET - BLACK



REV	DESCRIPTION	DATE	APPROVED
2	CUT OUT DETAILS ADDED	06/04/22	U.F
1	VALIDATION COMPLETE	25/02/20	A.P

NOTE:
GRIP RANGE 1-24mm

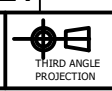
GENERAL TOLERANCES ON LENGTHS
0.5 - 6 ± 0.1mm
6 - 30 ± 0.2mm
30 - 120 ± 0.3mm
120 - 400 ± 0.5mm
400 - 1000 ± 0.8mm
1000 - 2000 ± 1.2mm
2000 - 4000 ± 2.0mm

ALBERT JAGGER LTD
GREEN LANE
WALSALL PHONE: 01922 471000
WEST MIDLANDS FAX: 01922 648021
WS2 8HG

THIS DRAWING & THE DESIGN SHOWN ARE THE PROPERTY OF ALBERT JAGGER LTD AND MUST NOT BE USED OR COPIED BY A THIRD PARTY WITHOUT PERMISSION

DRAWN BY
U.F

CHECKED BY
A.P



SCALE
1 : 1

MATERIAL
SEE TABLE

MASS
0.174 kg

FINISH
SEE TABLE

Date
24/02/2020

ALL DIMS IN MM UNLESS STATED DO NOT SCALE

A3



NON LOCKING COMPRESSION LATCH	
3802-BN24	Edition 2 / Sheet 1 / 1