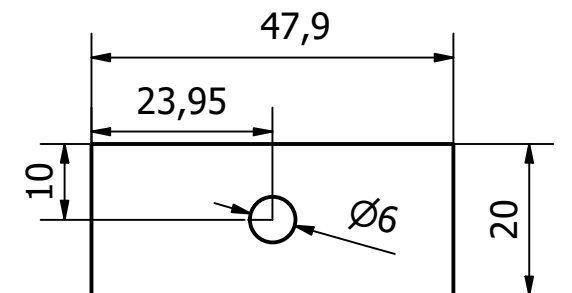
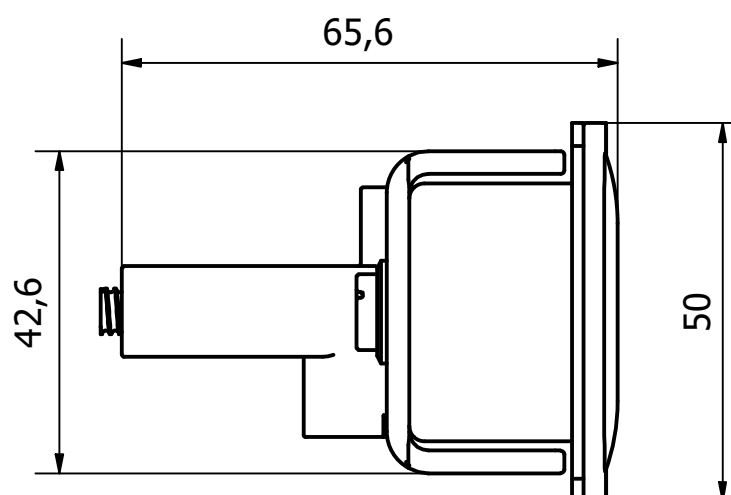
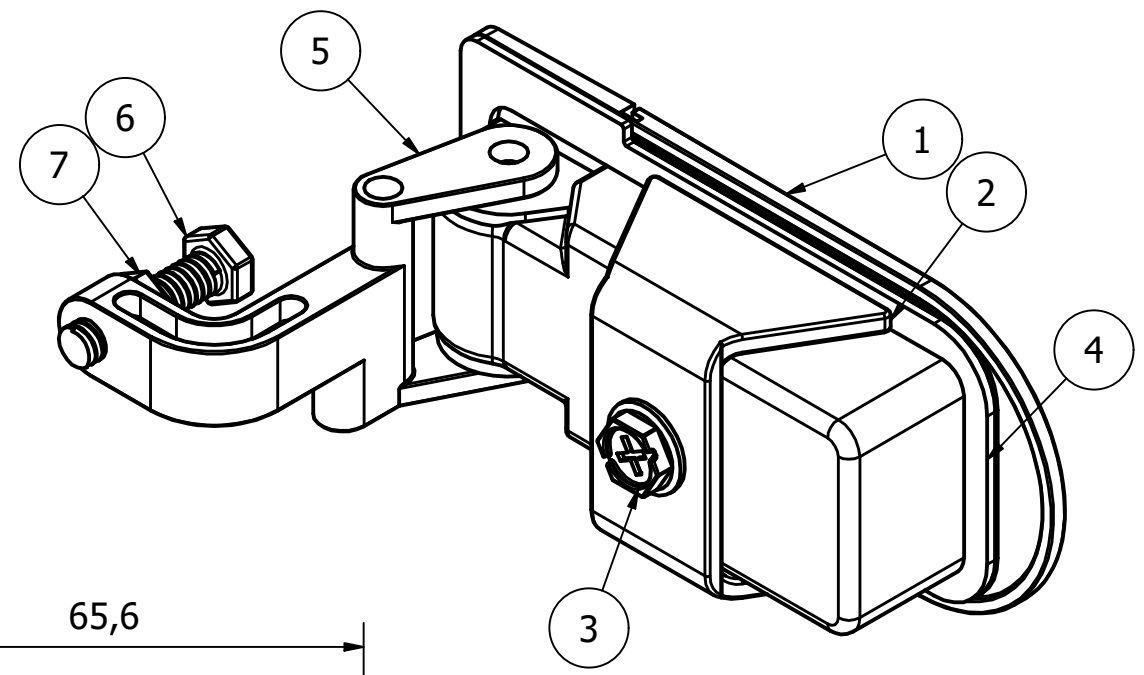


PARTS LIST			
ITEM	QTY	PART NUMBER	DESCRIPTION
1	1	3805-BN45-1	P/C BLACK ZINC DIECAST LOCK BODY ASSEMBLY
2	1	3805-BL45-2	M/STEEL LOCK CLAMP - Z/C PASSIVATE
3	1	3805-BL45-3	M/STEEL CLAMP SCREW - Z/C PASSIVATE
4	1	3805-BL45-4	BLACK RUBBER LOCK GASKET
5	1	3805-BL45-5	ZINC LOCK STRIKER - NATURAL
6	1	3805-BL45-6	S/STEEL M6 x 25mm BOLT - NATURAL
7	1	3805-BL45-7	S/STEEL M6 HEX NUT - NATURAL



ADDITIONAL CLAMPING PLATE

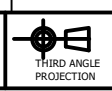
NOTE:  
 NON LOCKING COMES WITH ADDITIONAL CLAMPING PLATE.  
 GRIP RANGE - 29-45mm

GENERAL TOLERANCES ON LENGTHS
0.5 - 6 ± 0.1mm
6 - 30 ± 0.2mm
30 - 120 ± 0.3mm
120 - 400 ± 0.5mm
400 - 1000 ± 0.8mm
1000 - 2000 ± 1.2mm
2000 - 4000 ± 2.0mm

ALBERT JAGGER LTD  
 GREEN LANE  
 WALSALL PHONE: 01922 471000  
 WEST MIDLANDS FAX: 01922 648021  
 WS2 8HG  
 THIS DRAWING & THE DESIGN SHOWN ARE THE PROPERTY OF ALBERT JAGGER LTD AND MUST NOT BE USED OR COPIED BY A THIRD PARTY WITHOUT PERMISSION

DRAWN BY  
 U.F

CHECKED BY  
 A.P



SCALE  
 1 : 1

MATERIAL  
 SEE TABLE

MASS  
 0.604 kg

FINISH  
 SEE TABLE

Date  
 05/06/2017

ALL DIMS IN MM UNLESS STATED DO NOT SCALE

A3



NON LOCKING TRIGGER LATCH C/W GASKET		3805-BN45		Edition 2		Sheet 1 / 1	
--------------------------------------	--	-----------	--	--------------	--	----------------	--

REV	DESCRIPTION	DATE	APPROVED
2	CUT OUT DIMENSIONS ADDED	05/04/22	U.F
1	VALIDATION COMPLETE	17/07/17	A.P