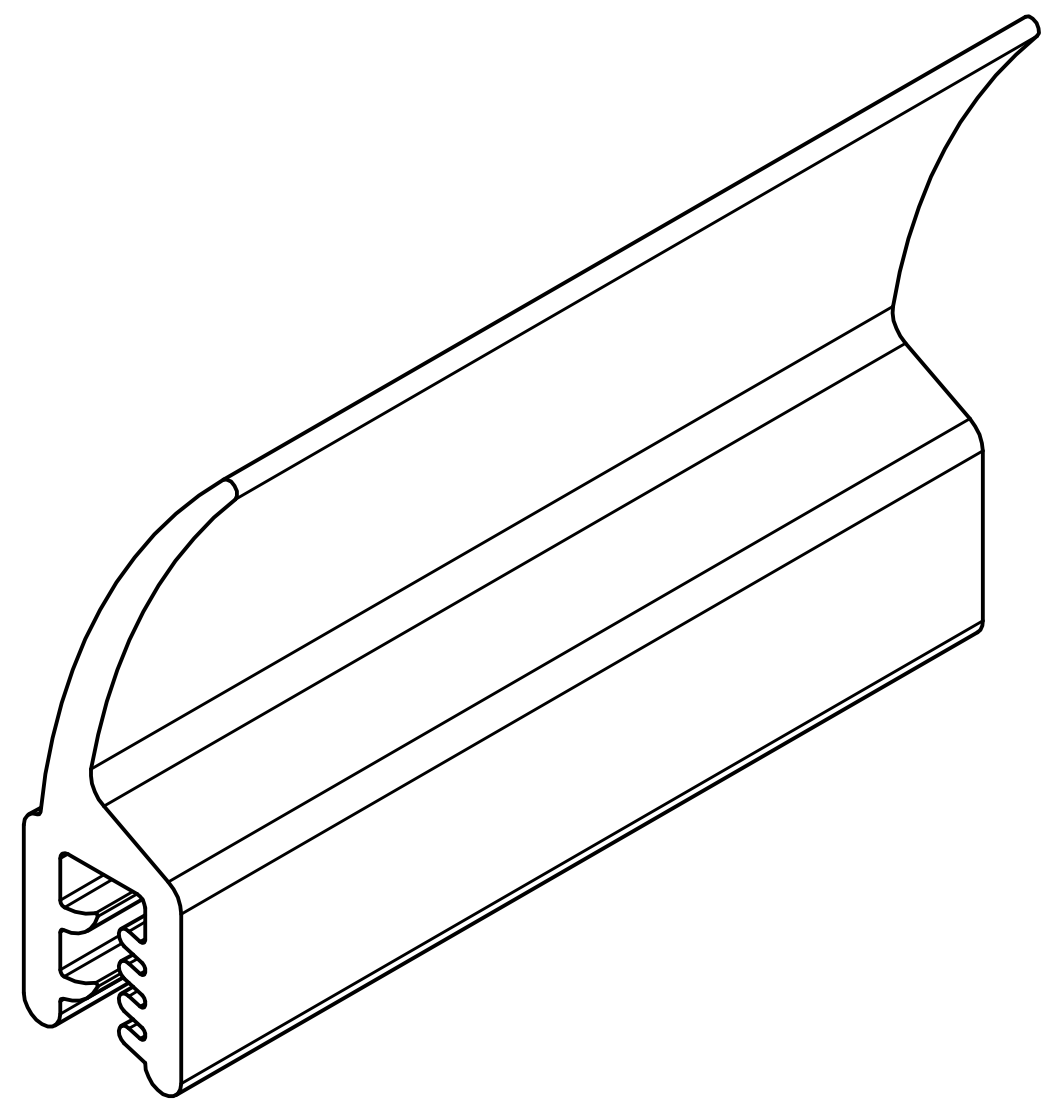
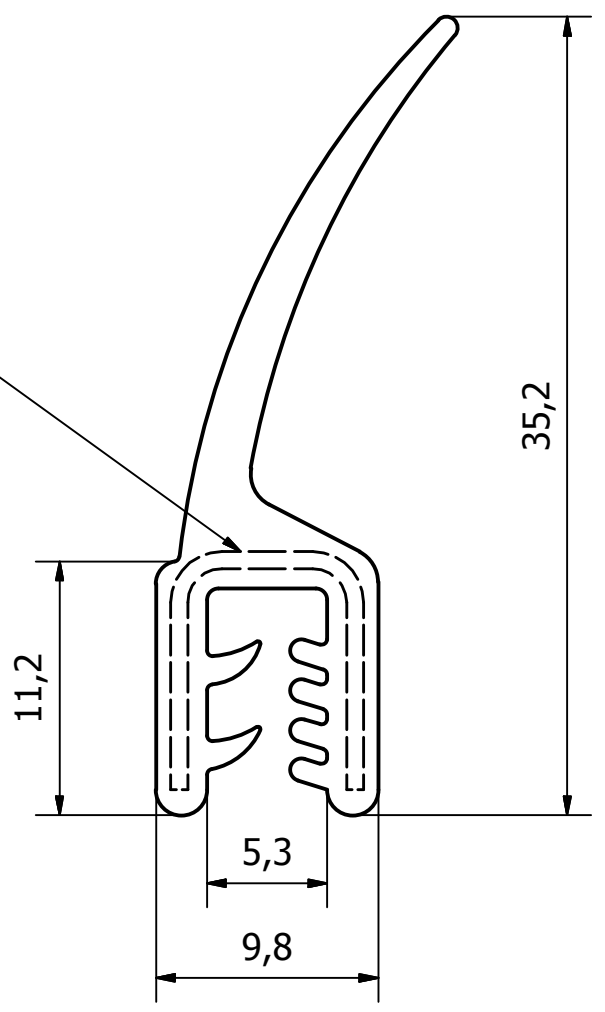


METAL INSERT



MATERIAL	SURFACE TREATMENT
EPDM SOLID	HARDNESS - N/A
EPDM SPONGE	SP. GRAVITY - N/A
METAL INSERT - 25 SL	HARDNESS - 135~145 VPN

NOTE:
GRIP RANGE 1.5-2.5mm

GENERAL TOLERANCES ON LENGTHS

0.5 - 6 ± 0.1mm
6 - 30 ± 0.2mm
30 - 120 ± 0.3mm
120 - 400 ± 0.5mm
400 - 1000 ± 0.8mm
1000 - 2000 ± 1.2mm
2000 - 4000 ± 2.0mm

ALBERT JAGGER LTD
GREEN LANE
WALSALL PHONE: 01922 471000
WEST MIDLANDS FAX: 01922 648021
WS2 8HG

THIS DRAWING & THE DESIGN SHOWN ARE THE PROPERTY OF ALBERT JAGGER LTD AND MUST NOT BE USED OR COPIED BY A THIRD PARTY WITHOUT PERMISSION

DRAWN BY
U.F

CHECKED BY
A.P



SCALE
3 : 1

MATERIAL
SEE TABLE

MASS
-

FINISH
BLACK

Date
20/09/2017

ALL DIMS IN MM UNLESS STATED DO NOT SCALE

A3

1	VALIDATION COMPLETE	27/09/17	A.P
REV	DESCRIPTION	DATE	APPROVED



50m COIL BOOT SEAL	
4844-001	Edition 1 / Sheet 1 / 1