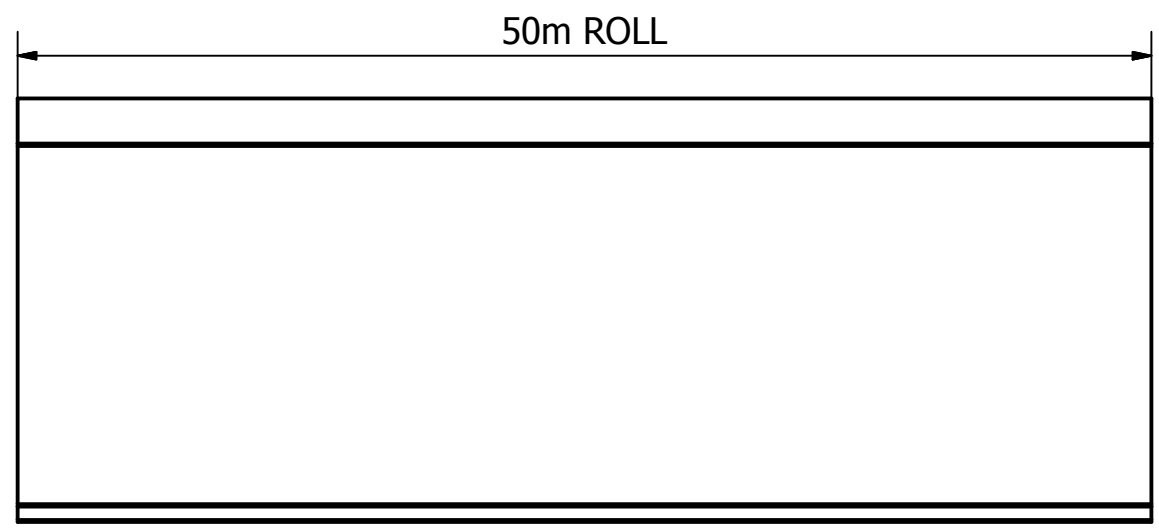
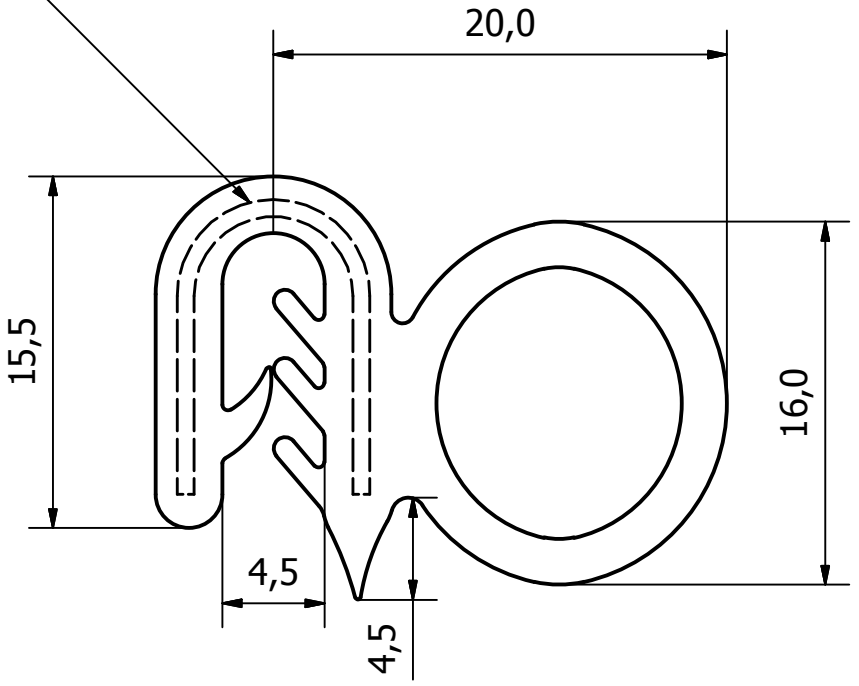


METAL INSERT



NOTE:
GRIP RANGE 0.8 - 3.0mm

GENERAL TOLERANCES ON LENGTHS	
0.5 - 6	± 0.1mm
6 - 30	± 0.2mm
30 - 120	± 0.3mm
120 - 400	± 0.5mm
400 - 1000	± 0.8mm
1000 - 2000	± 1.2mm
2000 - 4000	± 2.0mm

ALBERT JAGGER LTD
GREEN LANE
WALSALL PHONE: 01922 471000
WEST MIDLANDS FAX: 01922 648021
WS2 8HG

THIS DRAWING & THE DESIGN SHOWN ARE THE PROPERTY OF ALBERT JAGGER LTD AND MUST NOT BE USED OR COPIED BY A THIRD PARTY WITHOUT PERMISSION

DRAWN BY
U.F

CHECKED BY
A.P



SCALE
3 : 1

MATERIAL
EPDM

MASS
0.009 kg

FINISH
BLACK

Date
25/08/2017

ALL DIMS IN MM UNLESS STATED DO NOT SCALE

A3

REV	DESCRIPTION	DATE	APPROVED
2	CAD MODEL CREATED	24/10/17	U.F
1	VALIDATION COMPLETE	31/08/17	A.P



50m DOOR SEAL		Edition	Sheet
4855-004	2	1 / 1	