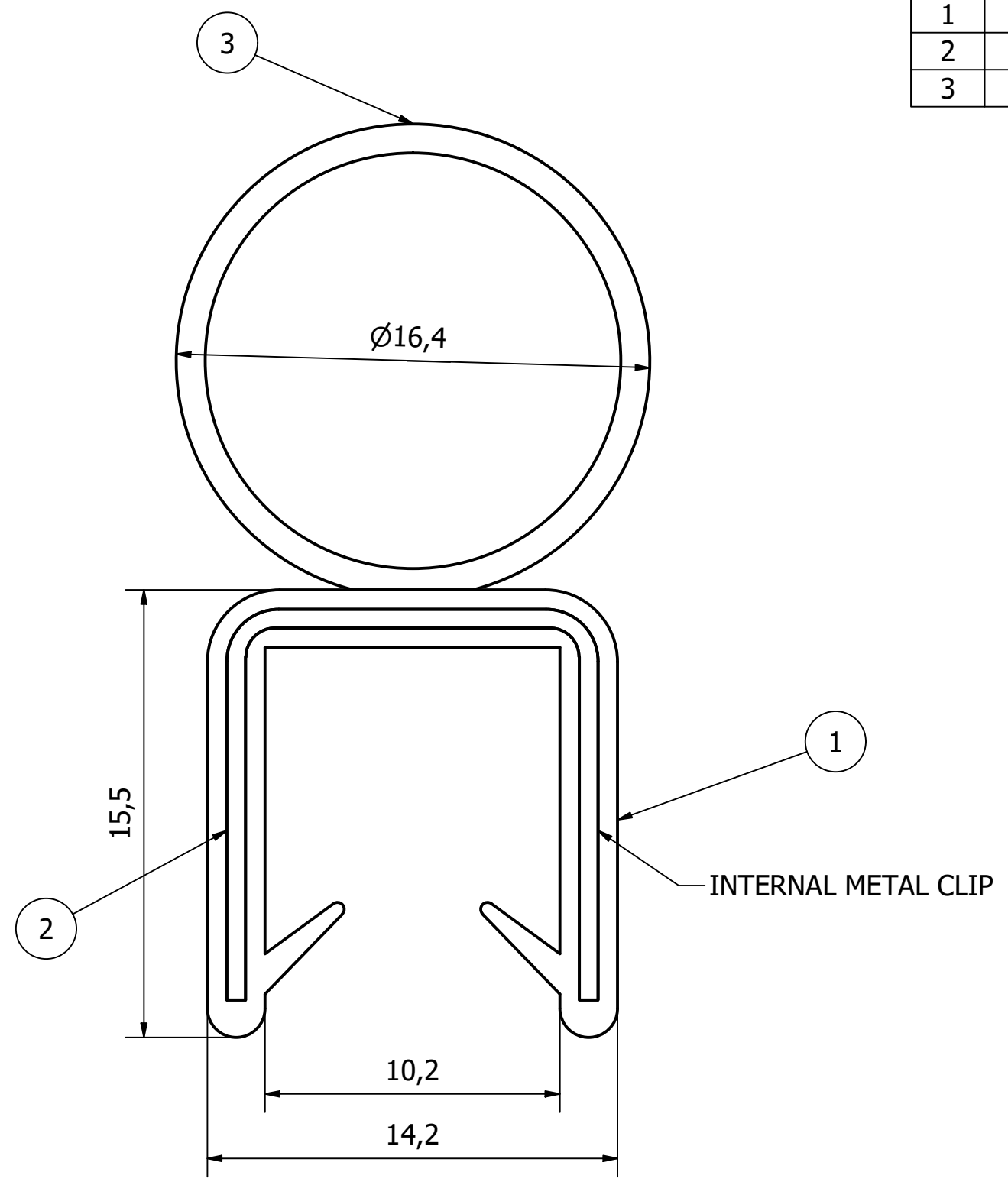


PARTS LIST			
ITEM	QTY	PART NUMBER	DESCRIPTION
1	1	5241-7634-1	BLACK PVC SEAL BODY
2	1	5241-7634-2	SPING STEL CORE
3	1	5241-7634-3	BLACK EPDM TUBE



NOTE:  
 EDGE TRIM IS FLEXIBLE PVC PLASTIC TRIM WITH INDIVIDUAL INTERNAL METAL CLIPS AND GRIPPING TONGUES TO PROVIDE A STRONGER GRIP.

GRIP RANGE = 9.5mm  
 76m COIL

1	VALIDATION COMPLETE	22/05/19	A.P
REV	DESCRIPTION	DATE	APPROVED

GENERAL TOLERANCES ON LENGTHS 0.5 - 6 ± 0.1mm 6 - 30 ± 0.2mm 30 - 120 ± 0.3mm 120 - 400 ± 0.5mm 400 - 1000 ± 0.8mm 1000 - 2000 ± 1.2mm 2000 - 4000 ± 2.0mm	ALBERT JAGGER LTD GREEN LANE WALSALL PHONE: 01922 471000 WEST MIDLANDS FAX: 01922 648021 WS2 8HG  THIS DRAWING & THE DESIGN SHOWN ARE THE PROPERTY OF ALBERT JAGGER LTD AND MUST NOT BE USED OR COPIED BY A THIRD PARTY WITHOUT PERMISSION	DRAWN BY A.S	CHECKED BY A.P		SCALE 5 : 1	MATERIAL SEE DRAWING	MASS 0.007 kg	FINISH SEE DRAWING	Date 17/04/2019	ALL DIMS IN MM UNLESS STATED DO NOT SCALE	A3
								TOP TUBE SEAL 9.5mm GRIP			Edition 1 / 1 Sheet 1 / 1