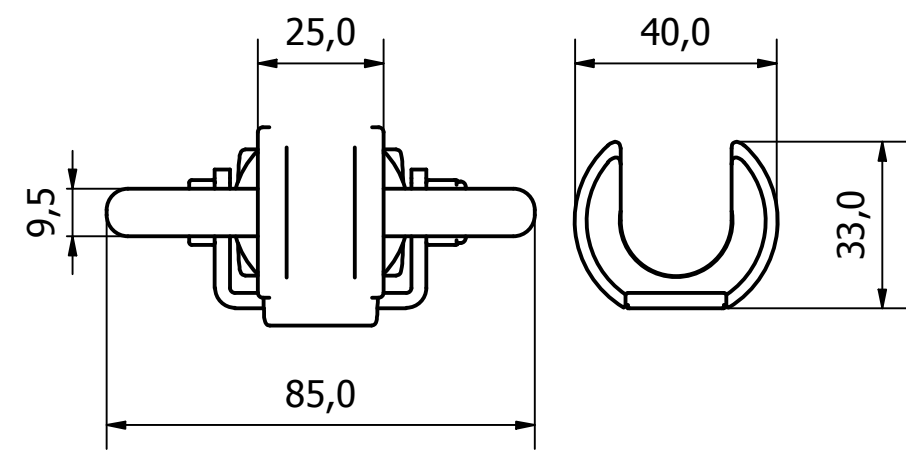
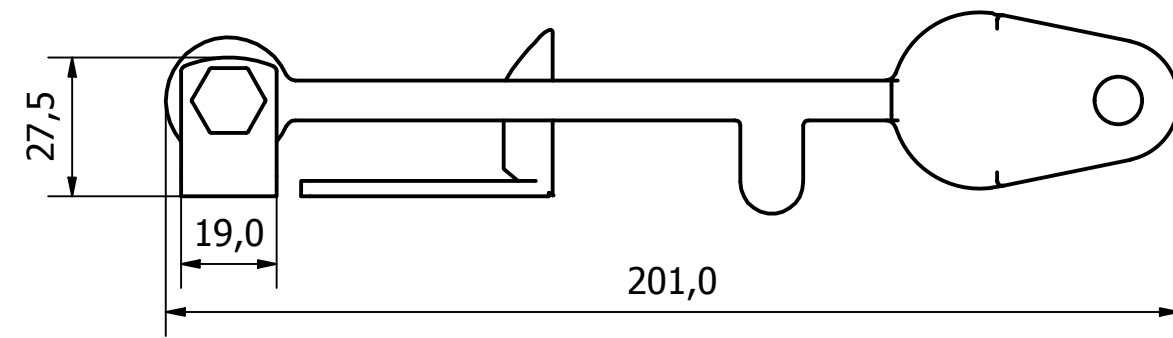
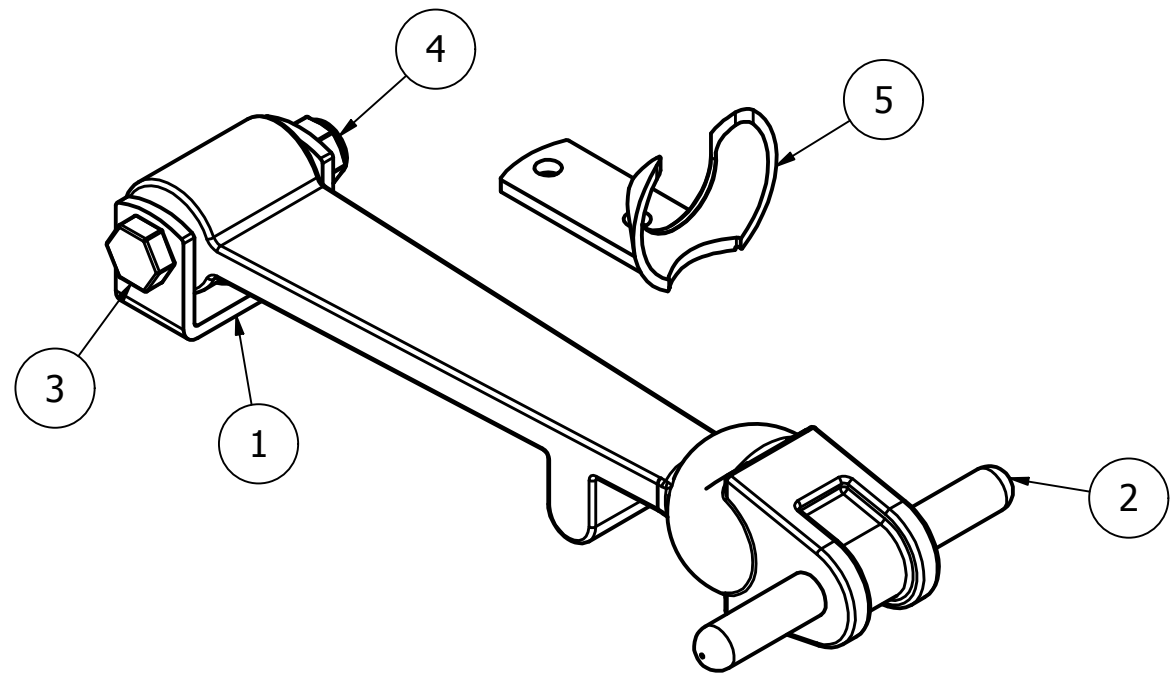


PARTS LIST				
ITEM	QTY	PART NUMBER	DESCRIPTION	
1	1	5303-001-1	M/STEEL HOOK MOUNTING BRACKET - Z/C PASSIVATED	
2	1	5303-001-2	BLACK EPDM HOOK	
3	1	5303-001-3	M/STEEL M8 BOLT - Z/C PASSIVATED	
4	1	5303-001-4	M/STEEL M8 LOCK NUT - Z/C PASSIVATED	
5	1	5303-001-5	M/STEEL Z/C PASSIVATED HOOK CLIP	



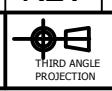
1	VALIDATION COMPLETE	14/12/18	A.P
REV	DESCRIPTION	DATE	APPROVED

GENERAL TOLERANCES ON LENGTHS 0.5 - 6 ± 0.1mm 6 - 30 ± 0.2mm 30 - 120 ± 0.3mm 120 - 400 ± 0.5mm 400 - 1000 ± 0.8mm 1000 - 2000 ± 1.2mm 2000 - 4000 ± 2.0mm
--

ALBERT JAGGER LTD  
 GREEN LANE  
 WALSALL PHONE: 01922 471000  
 WEST MIDLANDS FAX: 01922 648021  
 WS2 8HG

THIS DRAWING & THE DESIGN SHOWN  
 ARE THE PROPERTY OF ALBERT JAGGER LTD  
 AND MUST NOT BE USED OR COPIED BY A  
 THIRD PARTY WITHOUT PERMISSION

DRAWN BY U.F  
 CHECKED BY A.P



SCALE 1:1.5

MATERIAL SEE TABLE

MASS 0.169 kg

FINISH SEE TABLE

Date 13/12/2018

ALL DIMS IN MM UNLESS STATED DO NOT SCALE

A3



RUBBER BONNET FASTENER C/W RETAINING HOOK  
 5303-001  
 Edition 1  
 Sheet 1 / 1