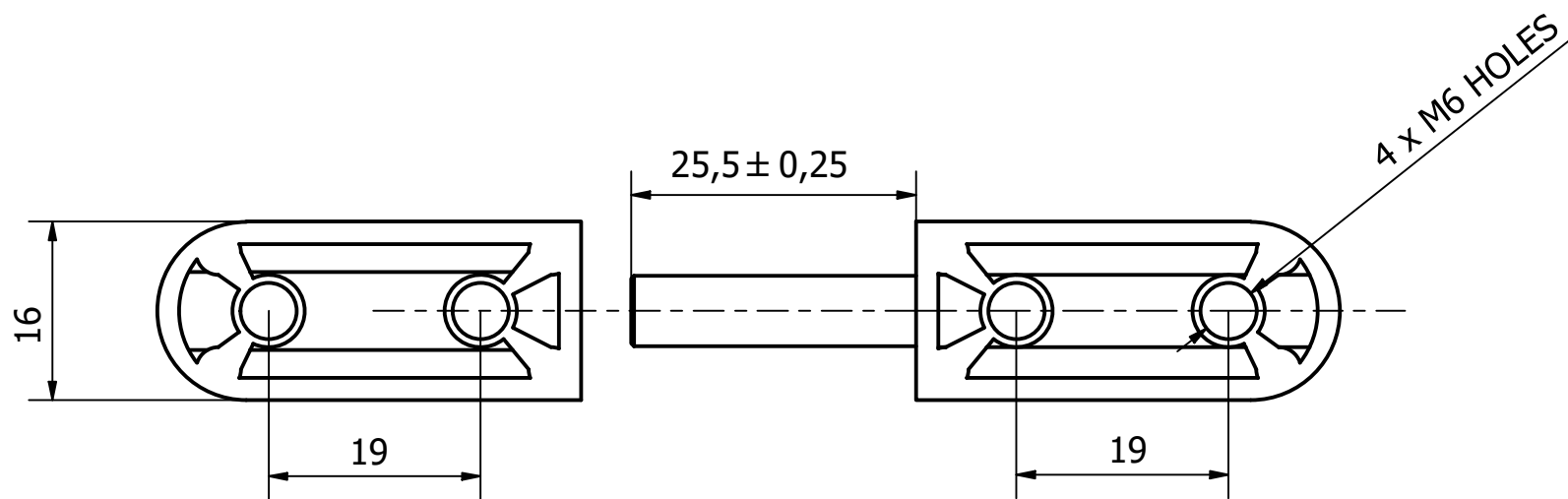
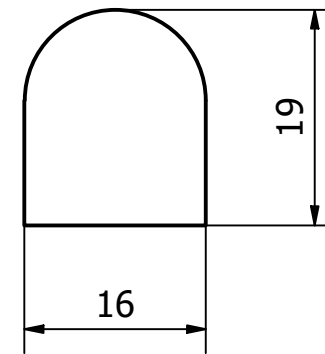
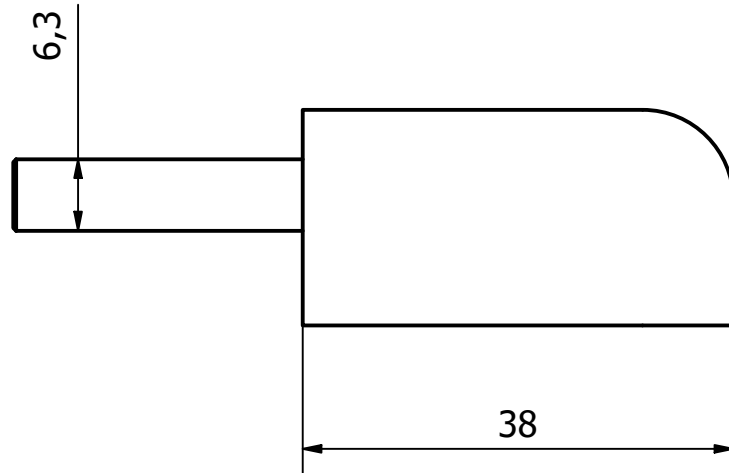
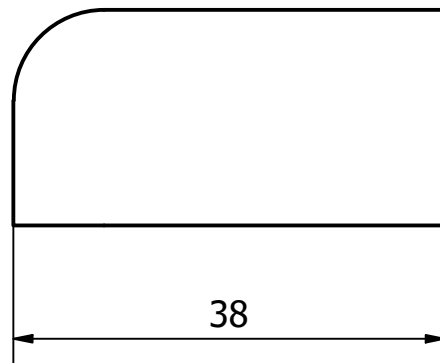
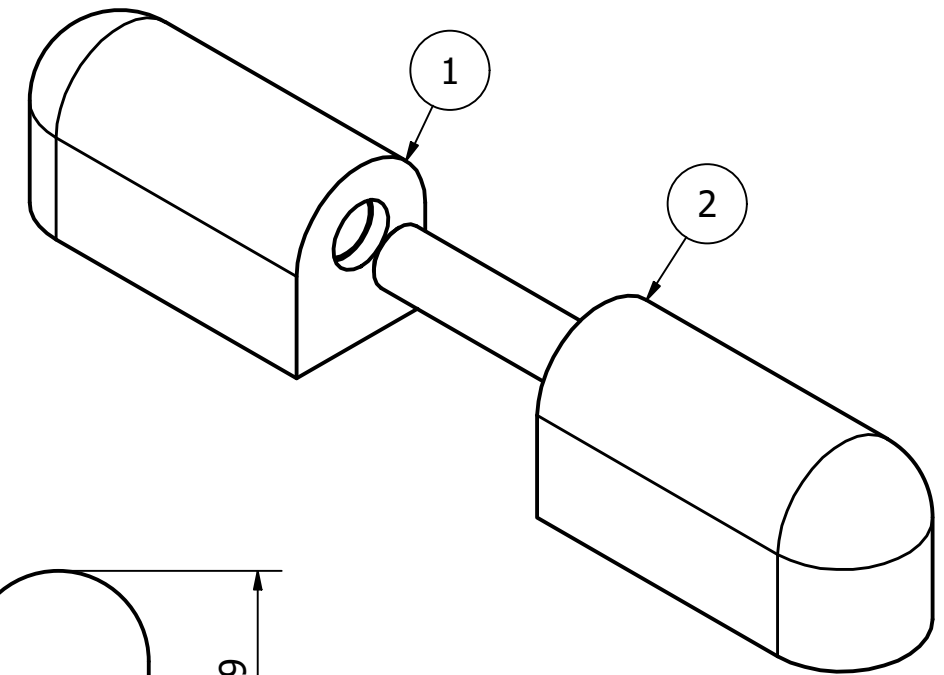


PARTS LIST			
ITEM	QTY	PART NUMBER	DESCRIPTION
1	1	5589-104-1	DIE CAST ZINC HINGE BODY
2	1	5589-104-2	DIE CAST ZINC HINGE BODY W/INSERT



NOTE:  
M6 THREAD FIXING

GENERAL TOLERANCES ON LENGTHS
0.5 - 6 ± 0.1mm
6 - 30 ± 0.2mm
30 - 120 ± 0.3mm
120 - 400 ± 0.5mm
400 - 1000 ± 0.8mm
1000 - 2000 ± 1.2mm
2000 - 4000 ± 2.0mm

ALBERT JAGGER LTD  
GREEN LANE  
WALSALL PHONE: 01922 471000  
WEST MIDLANDS FAX: 01922 648021  
WS2 8HG

THIS DRAWING & THE DESIGN SHOWN ARE THE PROPERTY OF ALBERT JAGGER LTD AND MUST NOT BE USED OR COPIED BY A THIRD PARTY WITHOUT PERMISSION

DRAWN BY  
K.M

CHECKED BY  
A.P



SCALE  
3 : 2

MATERIAL  
ZINC  
DIECAST

MASS  
0.085 kg

FINISH  
CHROME-  
POLISHED

Date  
15/12/2020

ALL DIMS IN MM  
UNLESS STATED  
DO NOT SCALE

A3

1	VALIDATION COMPLETE	26/04/21	U.F
REV	DESCRIPTION	DATE	APPROVED



ZINC DIECAST LIFT OFF HINGES	
5589-104	Edition 1 / Sheet 1 / 1