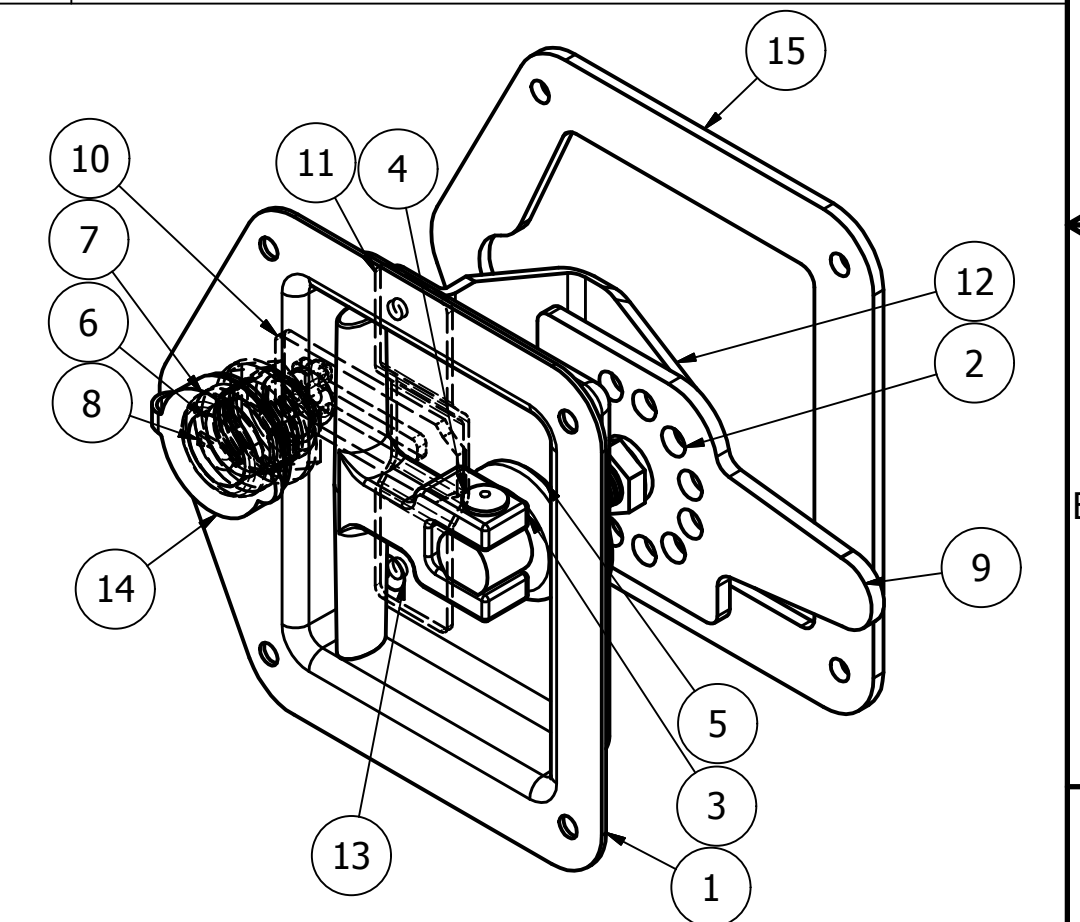


PARTS LIST				
ITEM	QTY	PART NUMBER	DESCRIPTION	
1	1	5589-1503-1	S/S HANDLE DISH - POLISHED	
2	1	5589-1503-2	S/S AND M/S HANDLE SCREW ASSEMBLY	
3	1	5589-1503-3	CHROME PLATED ZINC DIECAST 'T' HANDLE	
4	1	5589-1503-4	S/S 'T' HANDLE RIVET - POLISHED	
5	1	5589-1503-5	BLACK RUBBER WASHER	
6	1	5589-1503-6	S/S KEY BARREL SPACER - NATURAL	
7	1	5589-1503-7	S/S KEY BARREL COVER - POLISHED	
8	1	5589-1503-8	M/S KEY BARREL LOCK ASSEMBLY	
9	1	5589-1503-9	M/S TONGUE - Z/C PASSIVATE	
10	1	5589-1503-10	M/S LOCKING PLATE - Z/C PASSIVATE	
11	1	5589-1503-11	M/S LOCKING PLATE MOUNTING BRACKET - Z/C PASSIVATE	
12	1	5589-1503-12	M/S TONGUE SUPPORT BRACKET - Z/C PASSIVATE	
13	2	5589-1503-13	S/S LOCKING PLATE/SUPPOR BRACKET RIVET - POLISHED	
14	1	5589-1503-14	BLACK PLASTIC BARREL COVER WITH LID	
15	1	5589-1503-15	BLACK FOAM GASKET	



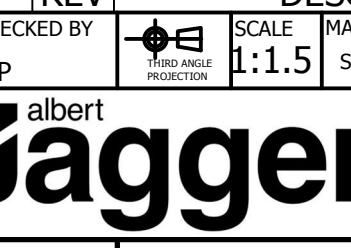
1	VALIDATION COMPLETE	14/08/17	A.P
REV	DESCRIPTION	DATE	APPROVED
U.F	A.P	24/07/2017	A3
SCALE: 1:1.5 MATERIAL: SEE TABLE MASS: 0.671 kg FINISH: SEE TABLE		Date	ALL DIMS IN MM UNLESS STATED DO NOT SCALE
		S/S RECESSED DROP 'T' HANDLE - C/W W/PROOF COVER AND GASKET	
5589-1503		Edition 1	Sheet 1 / 1

GENERAL TOLERANCES ON LENGTHS
 0.5 - 6 ± 0.1mm
 6 - 30 ± 0.2mm
 30 - 120 ± 0.3mm
 120 - 400 ± 0.5mm
 400 - 1000 ± 0.8mm
 1000 - 2000 ± 1.2mm
 2000 - 4000 ± 2.0mm

ALBERT JAGGER LTD
 GREEN LANE
 WALSALL WEST MIDLANDS WS2 8HG
 PHONE: 01922 471000
 FAX: 01922 648021

THIS DRAWING & THE DESIGN SHOWN ARE THE PROPERTY OF ALBERT JAGGER LTD AND MUST NOT BE USED OR COPIED BY A THIRD PARTY WITHOUT PERMISSION

DRAWN BY: U.F
 CHECKED BY: A.P



S/S RECESSED DROP 'T' HANDLE - C/W W/PROOF COVER AND GASKET
 5589-1503
 Edition 1
 Sheet 1 / 1