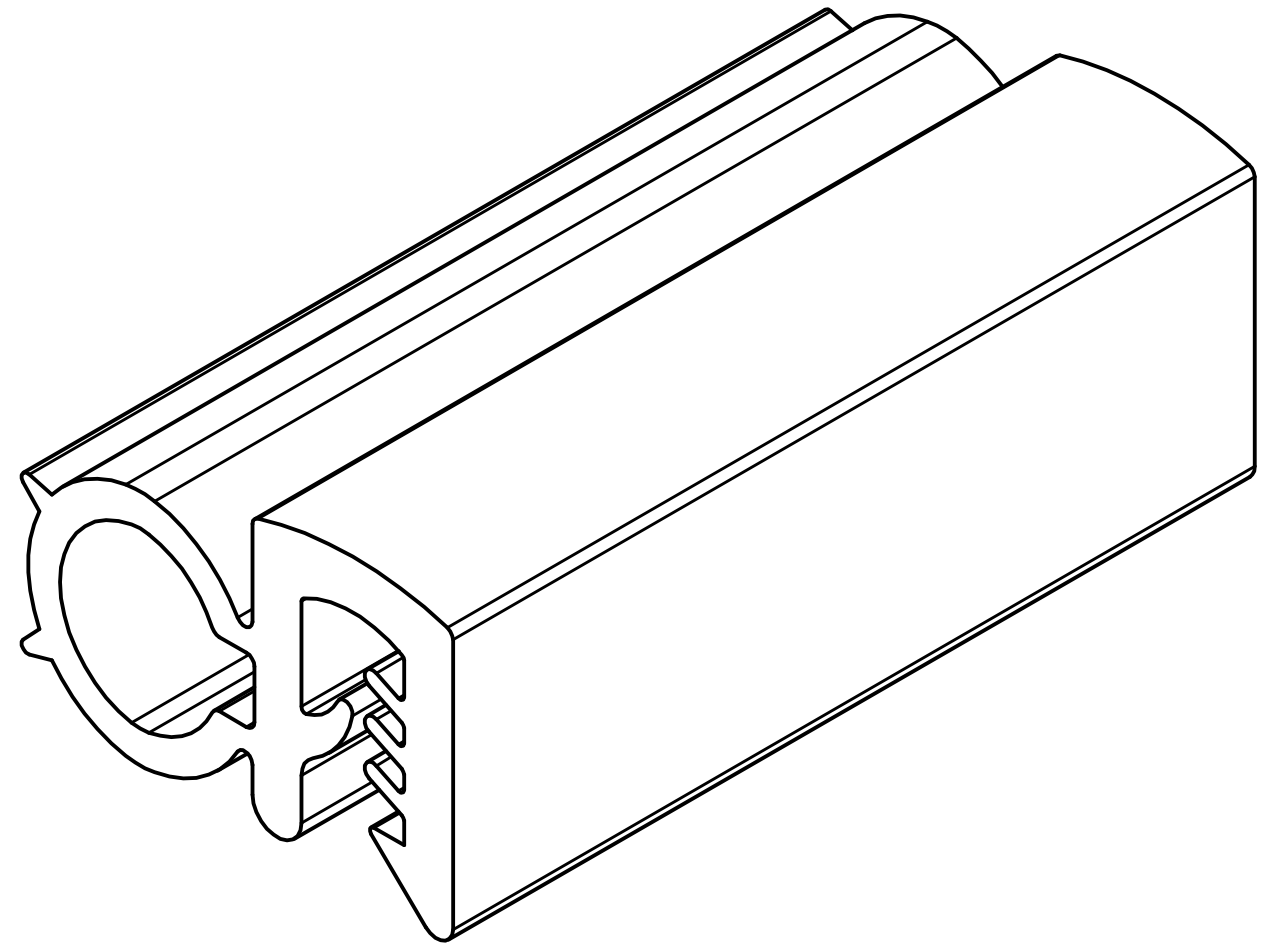


METAL INSERT



NOTE:

MATERIAL:

SPECIFICATION

EPDM SOLID - 414R

HARDNESS - 75 ± 5A

EPDM SPONGE - 606R

SP GRAVITY - 0.65 ± 0.05

METAL INSERT - 32ST

HARDNESS - 135-145 VPN

GRIP RANGE - 4.0 - 6.0 mm

2	RE-DRAWN IN CAD	21/09/2017	U.F
1	VALIDATION COMPLETE	07/08/17	A.P
REV	DESCRIPTION	DATE	APPROVED

GENERAL TOLERANCES ON LENGTHS
0.5 - 6 ± 0.1mm
6 - 30 ± 0.2mm
30 - 120 ± 0.3mm
120 - 400 ± 0.5mm
400 - 1000 ± 0.8mm
1000 - 2000 ± 1.2mm
2000 - 4000 ± 2.0mm

ALBERT JAGGER LTD
 GREEN LANE
 WALSALL PHONE: 01922 471000
 WEST MIDLANDS FAX: 01922 648021
 WS2 8HG

THIS DRAWING & THE DESIGN SHOWN ARE THE PROPERTY OF ALBERT JAGGER LTD AND MUST NOT BE USED OR COPIED BY A THIRD PARTY WITHOUT PERMISSION

DRAWN BY
U.F

CHECKED BY
A.P



SCALE
3 :-1

MATERIAL
SEE NOTE

MASS
-

FINISH
BLACK

Date
11/07/2017

ALL DIMS IN MM UNLESS STATED DO NOT SCALE

A3



DOOR SEAL - 50M ROLL	
6317-001	Edition 2 / Sheet 1 / 1