

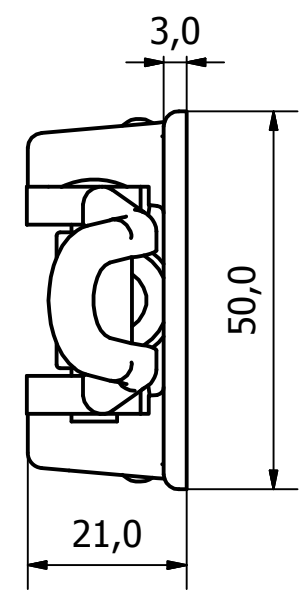
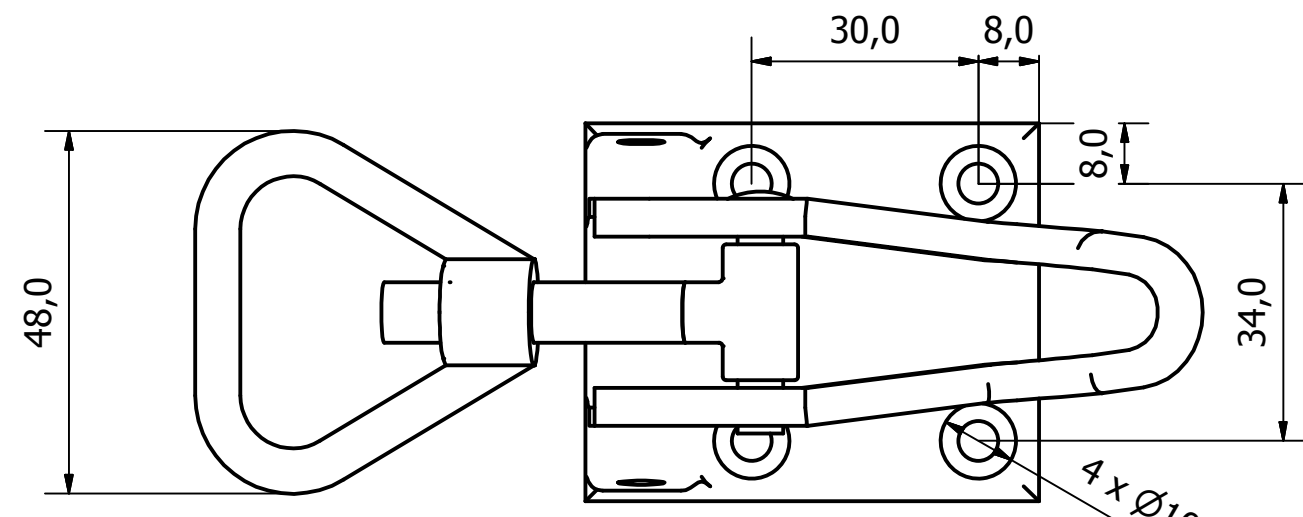
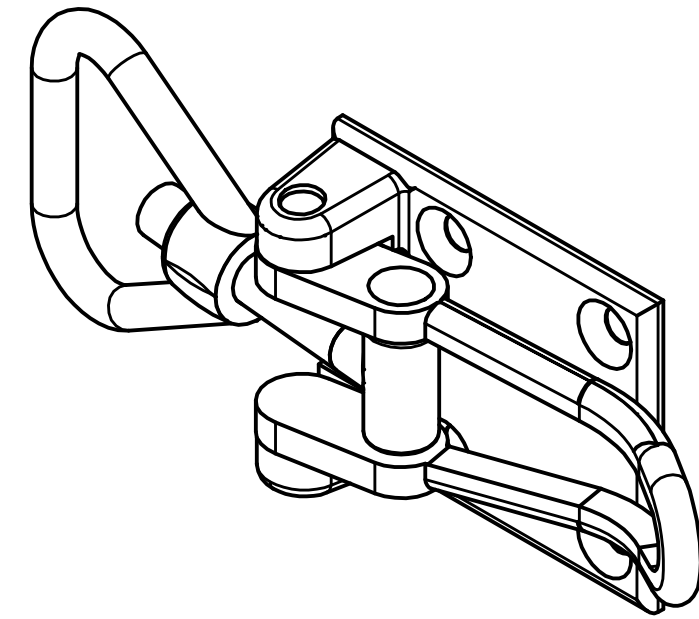
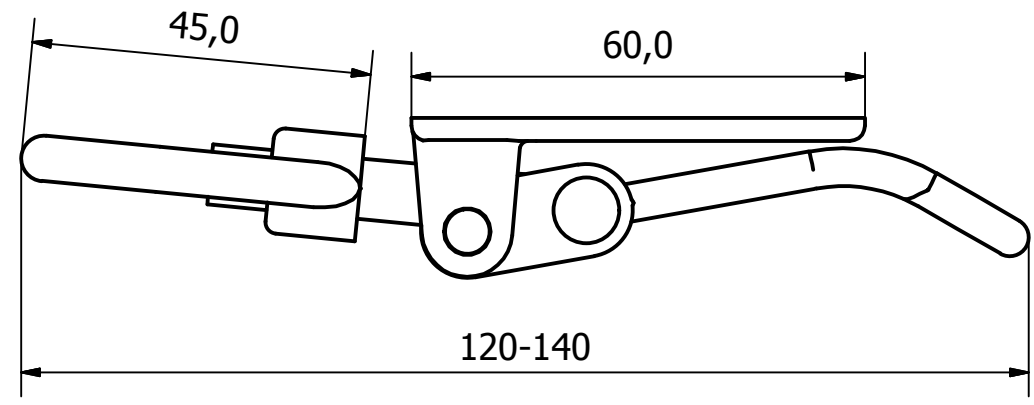
6 5 4 3 2 1

D

C

B

A



4 x Ø10,0 HOLES  $\sphericalangle$  5.3 @ 80°

NOTE:  
LOAD CAPACITY - 500kg/1101lbs

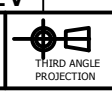
FOR USE WITH:  
9100/522431 - 20C SERIES LARGE STRIKER PLATE  
9100/522531 - 22C SERIES LARGE STRIKER PLATE  
9100/522831 - 41C SERIES MEDIUM STRIKER PLATE

GENERAL TOLERANCES ON LENGTHS	
0.5 - 6 ± 0.1mm	
6 - 30 ± 0.2mm	
30 - 120 ± 0.3mm	
120 - 400 ± 0.5mm	
400 - 1000 ± 0.8mm	
1000 - 2000 ± 1.2mm	
2000 - 4000 ± 2.0mm	

ALBERT JAGGER LTD  
GREEN LANE  
WALSALL PHONE: 01922 471000  
WEST MIDLANDS FAX: 01922 648021  
WS2 8HG  
  
THIS DRAWING & THE DESIGN SHOWN ARE THE PROPERTY OF ALBERT JAGGER LTD AND MUST NOT BE USED OR COPIED BY A THIRD PARTY WITHOUT PERMISSION

DRAWN BY  
U.F

CHECKED BY  
A.P



SCALE  
1 : 1

MATERIAL  
DROP FORGED STEEL

MASS  
0.124 kg

FINISH  
Z/C PASSIVATE

Date  
12/12/2017

ALL DIMS IN MM UNLESS STATED DO NOT SCALE

A3



H/DUTY OVER CENTRE DRAW LATCH	
9100-51091	Edition 1 / Sheet 1 / 1

1	VALIDATION COMPLETE	24/04/18	A.P
REV	DESCRIPTION	DATE	APPROVED

6 5 4 3 2 1